

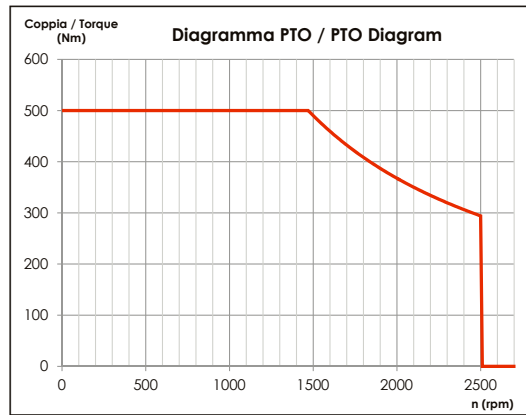
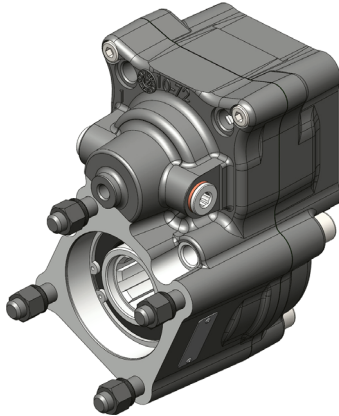
**PRESA DI FORZA A
COMANDO PNEUMATICO
"POWERFUL EVO"
PNEUMATIC CLUTCH
POWER TAKE-OFF
"POWERFUL EVO"**

CODICE PTO
PTO CODE

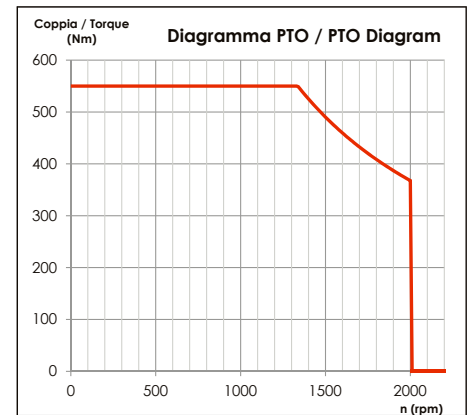
01007220179
01007320178
01007420177

CAMBIO
GEARBOX

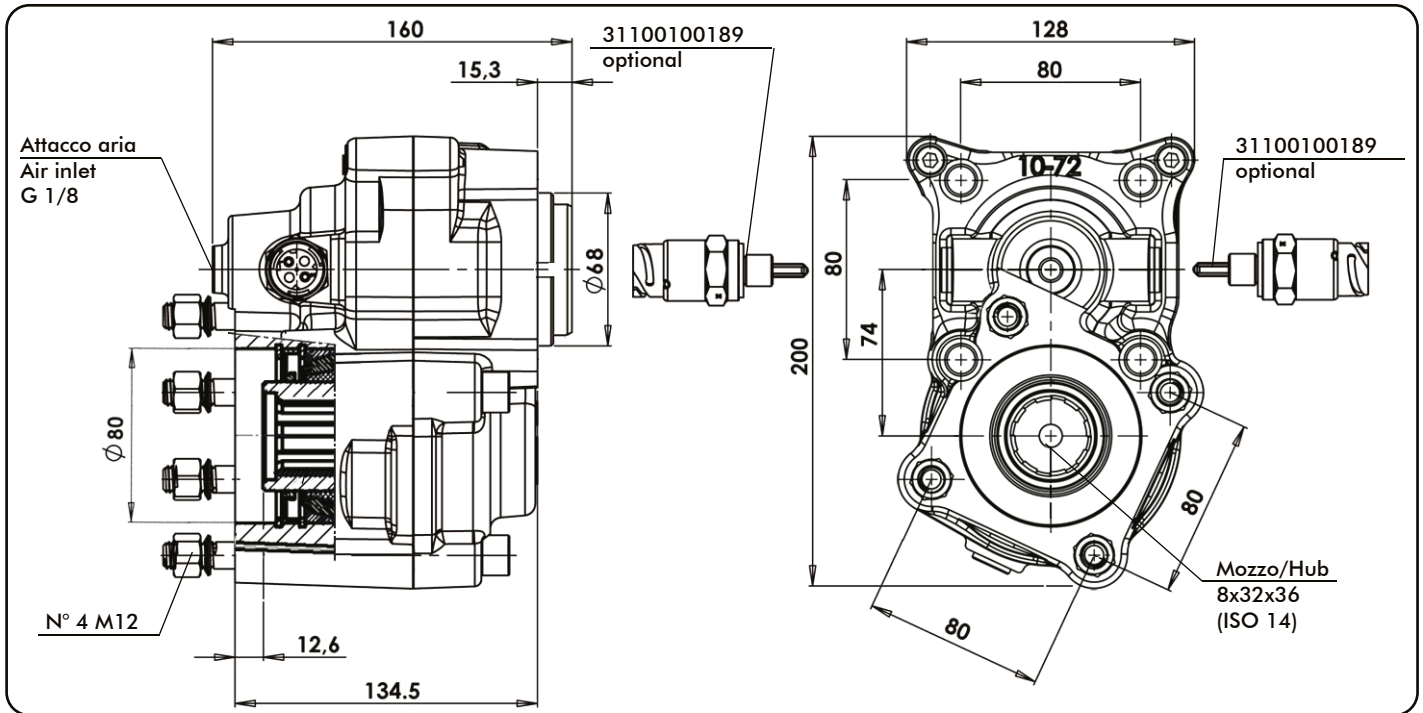
EATON - VOLVO
MERCEDES - ZF



01007220179
01007320178



01007420177



01/02/2021

99721027217 Rev: AB

| Codice PTO PTO code | Versione Version | Rapporto interno Internal ratio | Giri pto a 1000 giri motore Pto ratio@1000 eng.rpm | Coppia massima Max torque Nm | Lato montaggio Mounting side | Uscita Output | Rotazione Rotation | Kit di montaggio Mounting kit | Peso Weight Kg |
|------------------------|---------------------|------------------------------------|---|---------------------------------|---------------------------------|------------------|-----------------------|----------------------------------|-------------------|
| 01007220179 | 17 | 1:1,53 | Vedi indice See index | 500 | Poster. Rear | Poster. Rear | Ant. Acw | Vedi indice See index | 8,6 |
| 01007320178 | | 1:1,25 | | | | | | | |
| 01007420177 | | 1:1 | | 550 | | | | | |

pag.1



O.M.F.B. S.p.A. Hydraulic Components
We reserve the right to make any changes without notice.
Edition 2014.09 No reproduction, however partial, is permitted.
Via Cave, 7/9 25050 Provaglio d'Iseo (Brescia) Italy Tel.: +39.030.9830611
Fax: +39.030.9839207-208 Internet:www.omfb.it e-mail:info@omfb.it

**COMPANY WITH
QUALITY SYSTEM
CERTIFIED BY DNV GL
= ISO 9001:2015 =**