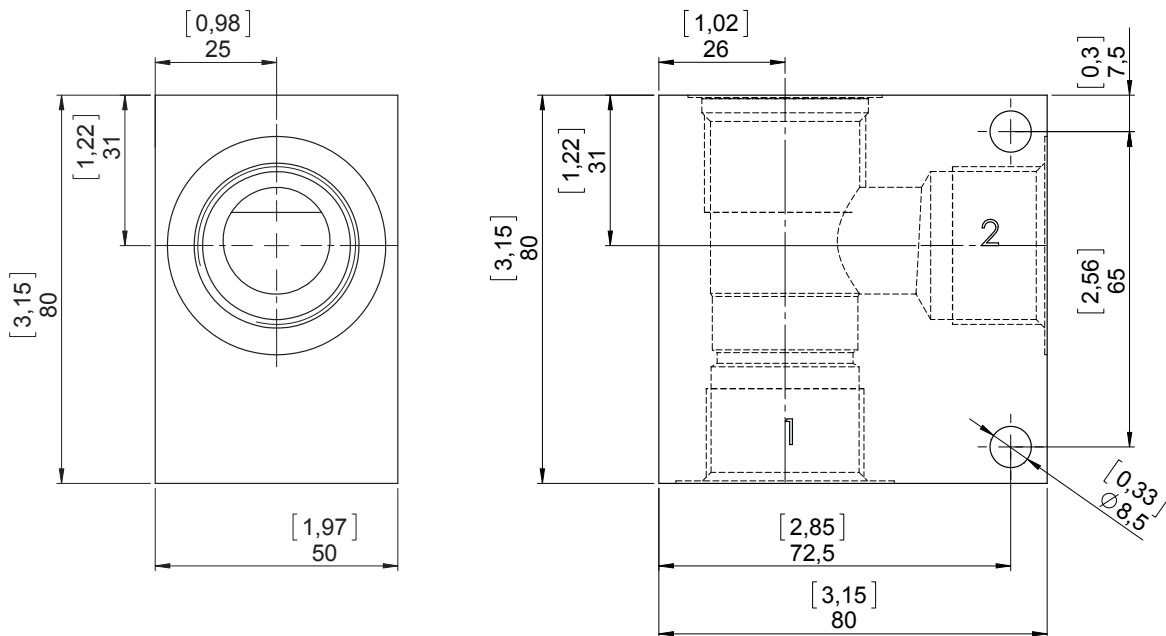


Standard bodies

Body G 1" standard



Inches
 Millimeters



Ordering code	Ports	Material	Weight Kg (lbs)
B13S-2L-5B-A	G 3/4" BSPP	Aluminium	0,67 (1,49)
B13S-2L-5B-S	G 3/4" BSPP	Steel	1,96 (4,36)
B13S-2L-6B-A	G 1" BSPP	Aluminium	0,63 (1,4)
B13S-2L-6B-S	G 1" BSPP	Steel	1,8 (4)

