

Electric valve

E11N-29

Solenoid valve 2 ways 2 positions, poppet pilot operated, normally open.



Description

Electric cartridge valve on/off designed to hold the load or block flow at high pressure application, where low leakage is requested.

Operation mode

COIL NOT POWERED: the valve allows flow in both directions.

From 1 to 2 and from 2 to 1.

COIL POWERED: the valve in closed position blocks flow in both direction.

From 2 to 1 and 1 to 2.

GENERAL DATA

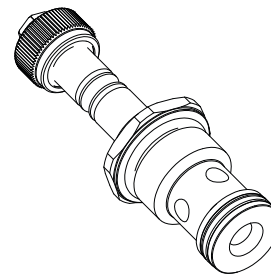
Weight without coil: 0,22 Kg (0,49 lbs).

Ambient temperature range: -30 C° a 60 C° with standard seals (NBR).

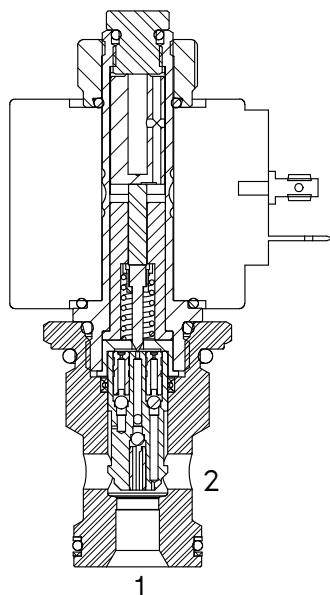
Max. proof pressure: 420 bar (6.000 psi).

Flow Max: 70 l/min (18,6 gpm).

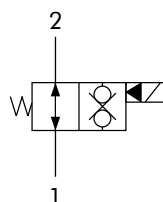
Cartridge materials: high strength steel, internal parts hardened and grinding.



Drawing

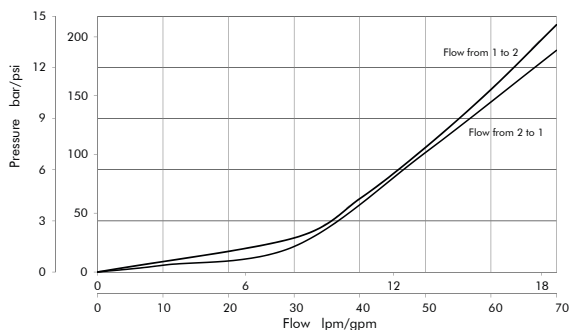


Hydraulic symbol



Pressure drop

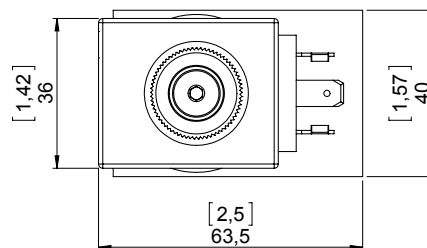
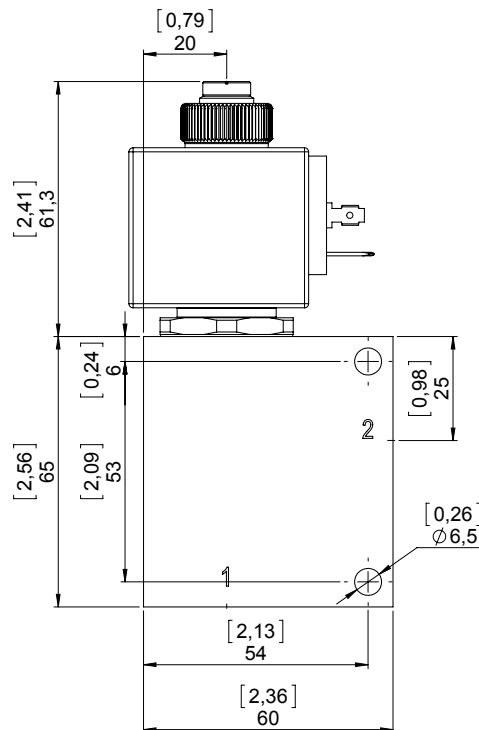
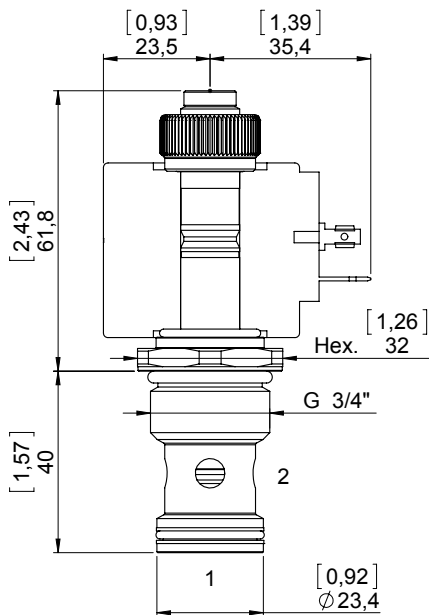
Oil viscosity: 32cSt/200 Fluid temperature: 40° C



TECHNICAL DATA	
HYDRAULIC	
Max. working pressure:	350 bar (5.075 psi)
Flow rate:	min 2 l/min (0,5 gpm) max 70 l/min (18,7 gpm)
Fluid:	Mineral based oil
Viscosity:	From 15cSt to 250 cSt
Leakage:	0,5 cc/min (10 drops/min) P max. 350 bar (5.075 psi)
Standard seals:	O-ring NBR Back up ring PTFE
Cavity:	GCZ1120
Installation torque:	50 N/m
Coil nut torque:	2 N/m
Max contamination level:	NAS 8 ISO 4406 19/17/14
Fluid temperature range:	From -20 to +80 C°
Fatigue cycle life:	1.000.000 cycle at 350 bar
Seal kit std.:	K112N01
ELECTRIC	
Type of voltage:	DC
Insulation index:	H
Nominal voltage:	+/- 10 %
Power at 20 C°:	22 W
ED*:	100% with ambient temperature range -20 C° +40 C°
Coil code: (see page 9.012)	S130-22P

*Note: For temperature or special conditions contact our sales department.

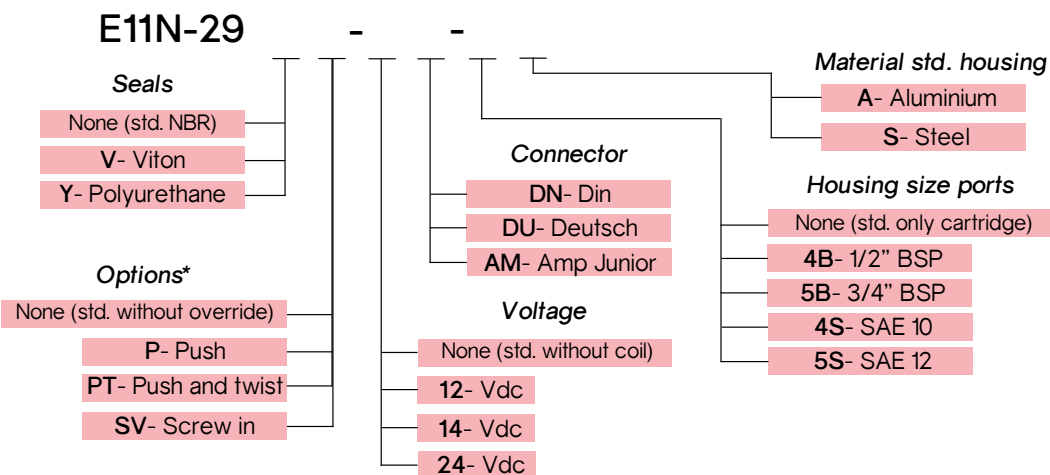
Inches
Millimeters



STANDARD HOUSING	
Ordering code:	See page 9.164
Material*:	Aluminium/Steel Max working pressure for aluminum body: 210 bar Max working pressure for steel body: 350 bar

*Note: To correctly select the material, in relation to application, see page S.023.

Ordering code



*Note: Information about manual override is available at page S.011