

Accessory Flange Kits 239005 to 239011

Husky® 1050, 1590, and 2150 Plastic Pumps


406361B

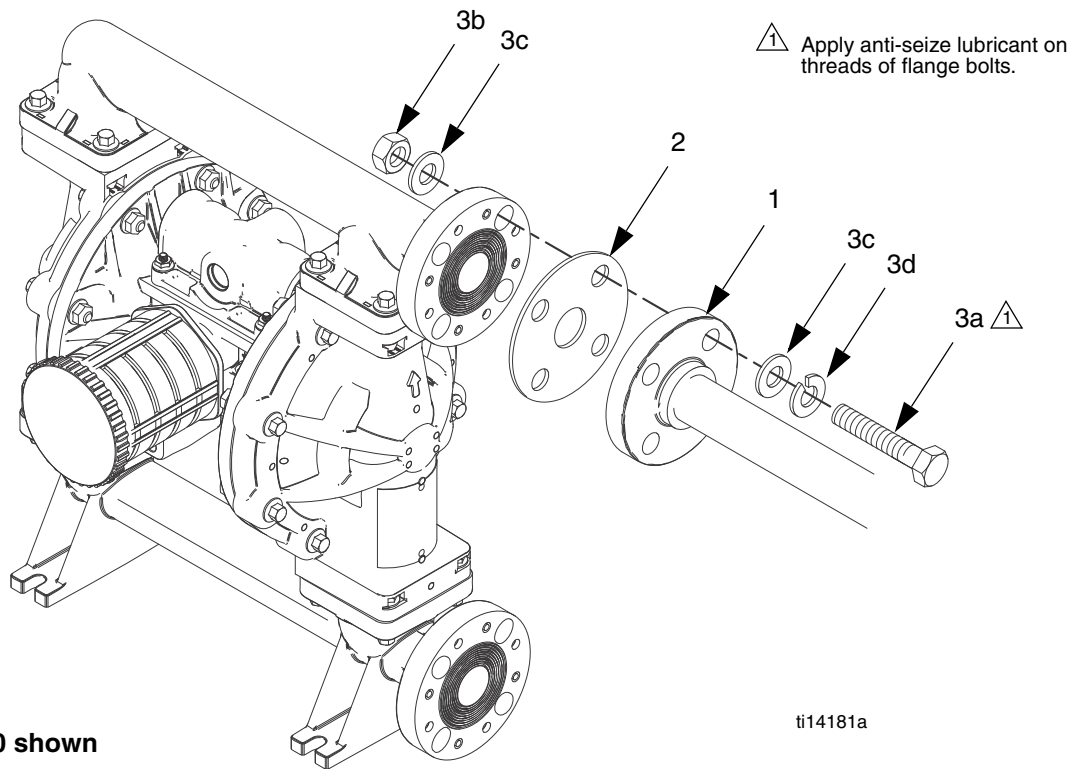
EN



Important Safety Instructions

Read all warnings and instructions in the Husky® Air-Operated Diaphragm Pump manual. Save all instructions.

						
Do not exceed the lowest working pressure rating of any component in your system.						



Husky 1050 shown

See reverse for individual parts lists.

Kits for Husky 1050

Kit 239005, Polypropylene Flange Kit

Kit 239008, Stainless Steel Flange Kit

Kit 239009, PVDF Flange Kit

Ref.	Part	Description	Qty
1		FLANGE, 1 in.	2
	113847	Polypropylene (Kit 239005)	
	113850	316 Stainless Steel (Kit 239008)	
	113851	PVDF (Kit 239009)	
2	113854	GASKET, 1 in.	
3	113838	KIT, fasteners; <i>includes 3a to 3d</i>	
3a	---	CAPSCREW, hex head, 1/2-13 x 2.5, 316 sst	4
3b	---	NUT, hex head; 1/2-13; sst	4
3c	---	WASHER, flat, 1/2 in., sst	8
3d	---	WASHER, lock, 1/2 in., sst	4

Kits for Husky 2150

Kit 239007, Polypropylene Flange Kit

Kit 239011, PVDF Flange Kit

Ref.	Part	Description	Qty
1		FLANGE, 2 in.	2
	113849	Polypropylene (Kit 239007)	
	113853	PVDF (Kit 239011)	
2	113856	GASKET, 2 in.	
3	113840	KIT, fasteners; <i>includes 3a to 3d</i>	
3a	---	CAPSCREW, hex head, 5/8-11 x 3, 316 sst	4
3b	---	NUT, hex head; 5/8-11; sst	4
3c	---	WASHER, flat, 5/8 in; sst	8
3d	---	WASHER, lock, 5/8 in; sst	4

Kits for Husky 1590

Kit 239006, Polypropylene Flange Kit

Kit 239010, PVDF Flange Kit

Ref.	Part	Description	Qty
1		FLANGE, 1.5 in.	2
	113848	Polypropylene (Kit 239006)	
	113852	PVDF (Kit 239010)	
2	113855	GASKET, 1.5 in.	
3	113839	KIT, fasteners; <i>includes 3a to 3d</i>	
3a	---	CAPSCREW, hex head, 1/2-13 x 3, 316 sst	4
3b	---	NUT, hex head; 1/2-13; sst	4
3c	---	WASHER, flat, 1/2 in., sst	8
3d	---	WASHER, lock, 1/2 in., sst	4

All written and visual data contained in this document reflects the latest product information available at the time of publication. Graco reserves the right to make changes at any time without notice.

For patent information, see www.graco.com/patents.

Original instructions. This manual contains English. MM 406361

Graco Headquarters: Minneapolis
International Offices: Belgium, China, Japan, Korea

GRACO INC. AND SUBSIDIARIES • P.O. BOX 1441 • MINNEAPOLIS MN 55440-1441 • USA

Copyright 1996, Graco Inc. All Graco manufacturing locations are registered to ISO 9001.

www.graco.com

Revision B - July 2013