

# Husky 307 Plastic Pumps

## Air-Operated Double Diaphragm

**D** | **X** | **X** | **X** | **X** | **X**  
 Diaphragm Pump | Pump Size | Wetted Parts | Seats | Balls/Checks | Diaphragms

PUMP SIZE (air motor type and material)	WETTED PARTS	SEATS	BALLS	DIAPHRAGM
3 = 9.52 mm (3/8") Standard: polypropylene center section	1 = Acetal (npt) 2 = Poly (npt) A = Acetal * (bsp) B = Poly * (bsp)	2 = Acetal 3 = Stainless Steel 9 = Polypropylene	1 = PTFE 3 = SST 5 = TPE 6 = Santoprene 7 = Buna N	1 = PTFE 5 = TPE 6 = Santoprene 7 = Buna N

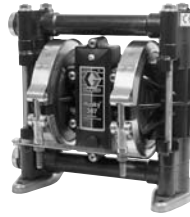
### Popular Models

Material	Part Number (NPT Ported)		Part Number (BSP Ported)		Materials for Seats	Materials for Balls	Materials for Diaphragms	Fluid Kit	Air Kit	Air Control*
	Standard Air Valve	Remote Air Valve	Standard Air Valve	Remote Air Valve						
Acetal	D31211	-	D3A211	-	Acetal	PTFE	PTFE	D03211	239952	246946
	D31255	-	D3A255	-	Acetal	TPE	TPE	D03255	239952	246946
	D31277	-	D3A277	-	Acetal	Buna	Buna	D03277	239952	246946
	D31311	-	D3A311	-	Stainless Steel	PTFE	PTFE	D03311	239952	246946
Polypropylene	D32211	-	D3B211	-	Acetal	PTFE	PTFE	D03211	239952	246946
	D32255	-	D3B255	-	Acetal	TPE	TPE	D03255	239952	246946
	D32277	-	D3B277	-	Acetal	Buna	Buna	D03277	239952	246946
	D32311	-	D3B311	-	Stainless Steel	PTFE	PTFE	D03311	239952	246946
	D32366	-	D3B366	-	Stainless Steel	Santoprene	Santoprene	D03366	239952	246946
	D32911	-	D3B911	-	Polypropylene	PTFE	PTFE	D03911	239952	246946
	D32955	-	D3B955	-	Polypropylene	TPE	TPE	D03955	239952	246946
	D32966	-	D3B966	-	Polypropylene	Santoprene	Santoprene	D03966	239952	246946
	D32977	-	D3B977	-	Polypropylene	Buna	Buna	D03977	239952	246946

\* Air control includes air regulator and filter with gauge

- = not available

# Husky 307 Plastic Pumps



## Technical Specifications

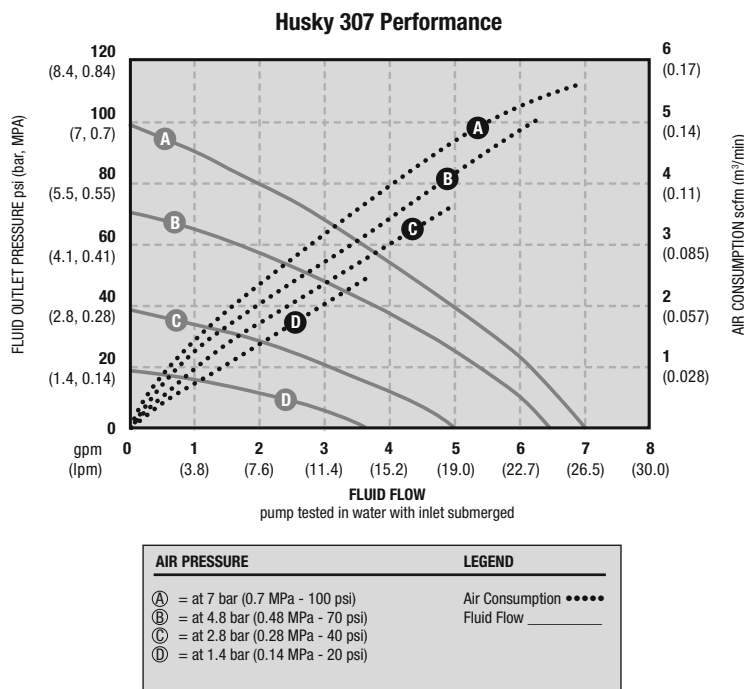
Husky 307 Plastic Pumps	Acetal	Polypropylene
Maximum fluid working pressure	7 bar (0.7 MPa-100 psi)	7 bar (0.7 MPa-100 psi)
Maximum free flow delivery*	26.5 l/min (7.0 gpm)	26.5 l/min (7.0 gpm)
Maximum pump speed	330 cpm	330 cpm
Displacement per cycle**	0.076 liter (0.02 gallon)	0.076 liter (0.02 gallon)
Maximum suction lift (D31255)	3.7 m (12 ft) dry	3.7 m (12 ft) dry
Maximum size pumpable solids	1.5 mm (0.06 in)	1.5 mm (0.06 in)
Maximum operating temperature***	65.5°C (150°F)	65.5°C (150°F)
Maximum diaphragm operating temperature***		
PTFE	104.4°C (220°F)	104.4°C (220°F)
Santoprene	82.2°C (180°F)	82.2°C (180°F)
Buna-N	82.2°C (180°F)	82.2°C (180°F)
TPE	65.5°C (150°F)	65.5°C (150°F)
Typical sound level at 3.5 bar (0.35 MPa-50 psi) air @ 50 cpm	75 dBa	75 dBa
Maximum air consumption	0.17 m <sup>3</sup> /min (6 scfm)	0.17 m <sup>3</sup> /min (6 scfm)
Air pressure operating range	1.4 to 8.4 bar (0.14 to 0.84 MPa-20 to 100 psi)	1.4 to 8.4 bar (0.14 to 0.84 MPa-20 to 100 psi)
Air inlet size	1/4 npt(f) or bspt(f)	1/4 npt(f) or bspt(f)
Fluid inlet & outlet size****	3/8 npt(f)	3/8 npt(f)
Weight	2.4 kg (5.2 lb)	2.2 kg (4.75 lb)
Wetted parts (in addition to ball, seat and diaphragm materials—which may vary by pump)	Acetal with Stainless Steel fibers, PTFE	Polypropylene, PTFE
Instruction manual	308553	308553

\*Flow rates are with muffler and do not vary based on diaphragm material

\*\*Displacement per cycle may vary based on suction condition, discharge head, air pressure and fluid type

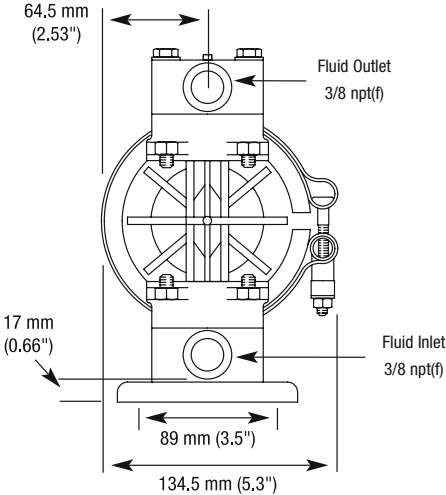
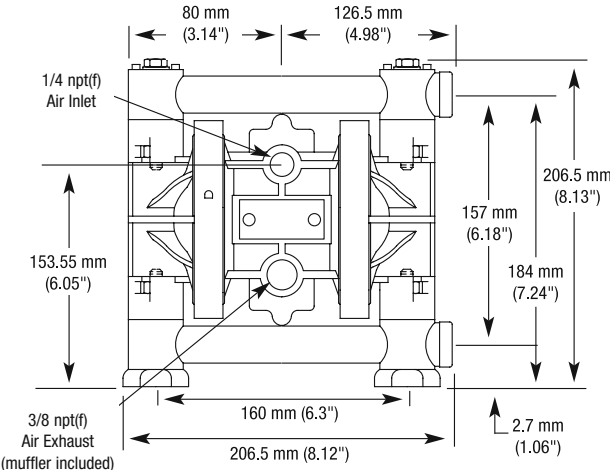
\*\*\*Actual pump performance may be affected by prolonged usage at temperature

## Performance Chart



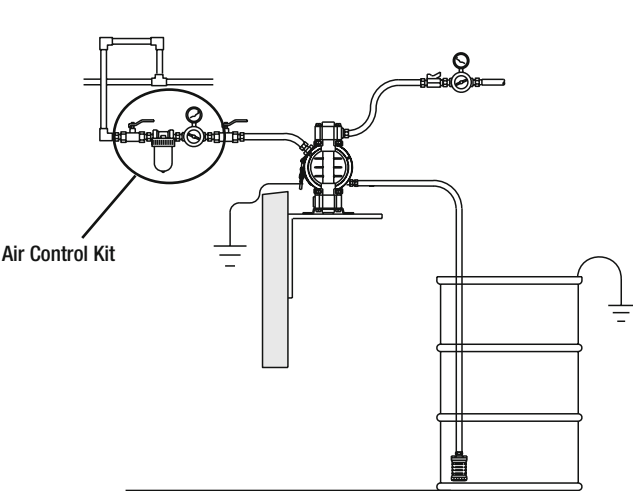
# Husky 307 Plastic Pumps

## Dimensions



## Typical System Drawings

Husky 307 Wall-Mount with Siphon Feed



Husky 307 Drum-Mount with Siphon Feed

