



**Catalogo parti di ricambio**  
**Spare parts catalogue**  
**Ersatzteilkatalog**  
**Catalogue pieces detachees**  
**Catalogo de repuestos**

Model:..... **AB 100-515** .....

Code:..... **1121490102** .....

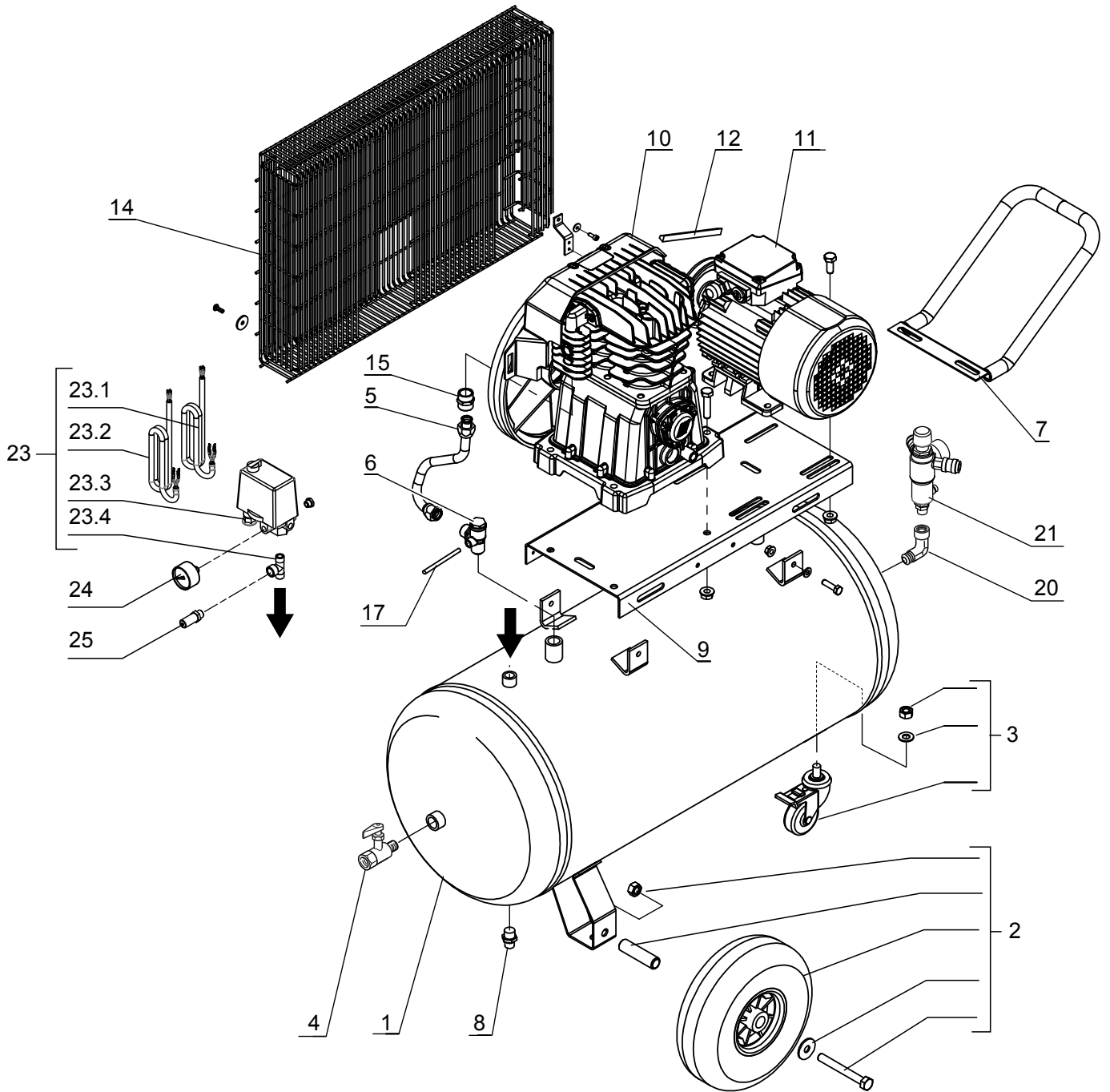
Valid from: ..... **01/05/2015** .....



## INDEX

Table	Model	pag.
1	AB100-415_00	4
2	AB515-415_00	6
3		
4		
5		
6		
7		
8		
9		
10		

Model: ..... AB 100-515 .....  
 Code: ..... 1121490102 .....  
 Valid from: 01/05/2015 .....  
 Tav.: ..... **AB100-415\_00** .....



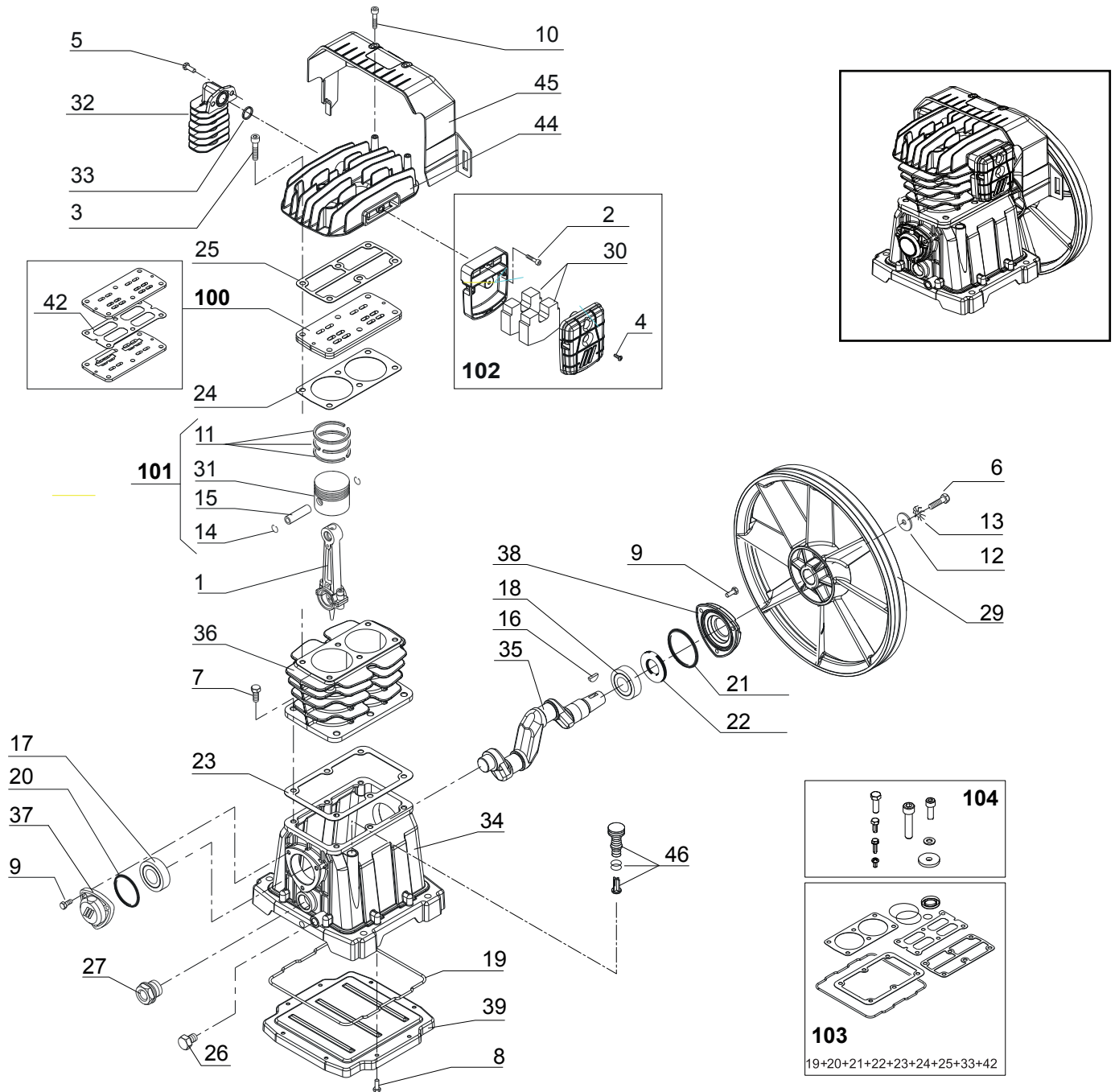


Model: ..... AB 100-515 .....  
 Code: ..... 1121490102 .....  
 Valid from: 01/05/2015 .....  
 Tav.: ..... **AB100-415\_00** .....

N°	Code	Q.ty	Q.ty*	Description	N°	Code	Q.ty	Q.ty*	Description
1	1125150258	1		SERBATOIO TANK					
2	1124080302	1	10	KIT RUOTA KIT					
3	1124080305	1		KIT RUOTA PIVOT KIT					
4	1127130015	1		RUBINETTO DI LINEA TAP					
5	1127230881	1		TUBO ALIMENTAZIONE INFEED HOSE					
6	1127190019	1	20	VALVOLA DI RITEGNO CHECK VALVE					
7	1125140010	1		MANICO HANDLE					
8	1127130016	1	10	RUBINETTO SPURGO DISCHARGE TAP					
9	1125010094	1		BASE BASE PLATE					
10	1123020004	1		GRUPPO POMPANTE PUMP UNIT					
11	1124150133	1		KIT MOTORE KIT					
12	1127370131	1	20	CINGHIA BELT					
14	1124170013	1		KIT PARACINGHIA BELT GUARD KIT					
15	1127080104	1		RACCORDO FITTING					
17	1127230001	0,8		TUBO RILSAN RILSAN TUBE					
20	1127080013	1		RACCORDO FITTING					
21	1127100056	1	10	RIDUTTORE DI PRESSIONE PRESSURE REDUCER					
22	1127450967	1		STAFFA PARACINGHIA BELT GUARD SUPPORT					
23	1124050167	1		KIT PRESSOSTATO PRESS. SWITCH KIT					
23.1	1127320869	1		CAVO PRESSOSTATO / MOTORE CABLE					
23.2	1127320870	1		CAVO ALIMENTAZIONE POWER CABLE					
23.3	1127250049	1	20	PRESSOSTATO PRESSURE SWITCH					
23.4	1127080269	1		RACCORDO FITTING					
24	1127110006	1	20	MANOMETRO PRESSURE GAUGE					
25	1127190209	1	20	VALVOLA SICUREZZA VALVE					

Q.ty = Quantità unitaria / Single unit quantity / Quantité unitaire / Cantidad unitaria / Einzeleinheitsmenge

Q.ty\* = Ricambi consigliati in percentuale / Suggested spare parts in percentage / Pièces de rechange suggérées en pourcentage / Piezas de repuesto sugeridas en porcentaje / Vorgeschlagene Ersatzteile in Prozent





Model: ..... AB 100-515 .....  
 Code: ..... 1121490102 .....  
 Valid from: 01/05/2015 .....  
 Tav.: ..... AB515-415\_00 .....

N°	Code	Q.ty	Q.ty*	Description	N°	Code	Q.ty	Q.ty*	Description
1	1129101594	2		BIELLA CONNECTING ROD	33.	X	1		O-RING O RING
2.	X	1		VITE SCREW	34	1129101576	1		CARTER CRANKCASE
3.	X	6		VITE SCREW	35	1129101595	1		ALBERO A GOMITO CRANKSHAFT
4.	X	1		VITE SCREW	36	1129101578	1		CILINDRO CYLINDER
5.	X	2		VITE SCREW	37	1129101579	1		COPERCHIO ANTERIORE FRONT COVER
6.	X	1		VITE SCREW	38	1129101580	1		COPERCHIO POSTERIORE COVER
7.	X	6		VITE SCREW	39	1129101581	1		COPERCHIO CARTER CASING COVER
8.	X	8		VITE SCREW	42.	X	1		GUARNIZIONE GASKET
9.	X	6		VITE SCREW	44	1129101589	1		TESTA HEAD
10.	X	2		VITE SCREW	45	1127150314	1		CONVOGLIATORE CONVEYOR
11	1124080007	2	30	KIT SEGMENTI PISTON RING KIT	46	1129701377	1		TAPPO DI SFIATO PLUG
12.	X	1		RONDELLA WASHER	100	1124230126	1	30	KIT PIASTRA VALVOLE VALVE PLATE KIT
13.	X	1		RONDELLA WASHER	101	1124290107	1	20	KIT BIELLA/PISTONE CON ROD-PISTON KIT
14	1127040141	4		SEEGER INTERNAL SNAPRING	102	1124250013	1		KIT FILTRO ASPIRAZIONE INTAKE FILTER KIT
15	1127050011	2		SPINOTTO GUDGEON PIN	103	1124080199	1	30	KIT GUARNIZIONI GASKETS KIT
16	1127050151	1		LINGUETTA TAB	104	1124080048	1		KIT VITI SCREWS KIT
17	1127060006	1		CUSCINETTO BEARING					
18	1127060015	1		CUSCINETTO BEARING					
19.	X	1		O-RING O RING					
20.	X	1		O-RING O RING					
21.	X	1		O-RING O RING					
22.	X	1		PARAOLIO OIL SEAL					
23.	X	1		GUARNIZIONE GASKET					
24.	X	1		GUARNIZIONE GASKET					
25.	X	1		GUARNIZIONE GASKET					
26	1127090009	1		TAPPO PLUG					
27	1129700408	1		SPIA LIVELLO OLIO OIL LIGHT					
29	1127200101	1		VOLANO FLYWHEEL					
30	1127210068	2	30	ELEMENTO FILTRANTE FILTER CARTRIDGE					
31	1127220009	2		PISTONE PISTON					
32	1129102591	1		REFRIGERATORE COOLER					

Q.ty = Quantità unitaria / Single unit quantity / Quantité unitaire / Cantidad unitaria / Einzeleinheitsmenge

Q.ty\* = Ricambi consigliati in percentuale / Suggested spare parts in percentage / Pièces de rechange suggérées en pourcentage / Piezas de repuesto sugeridas en porcentaje / Vorgeschlagene Ersatzteile in Prozent