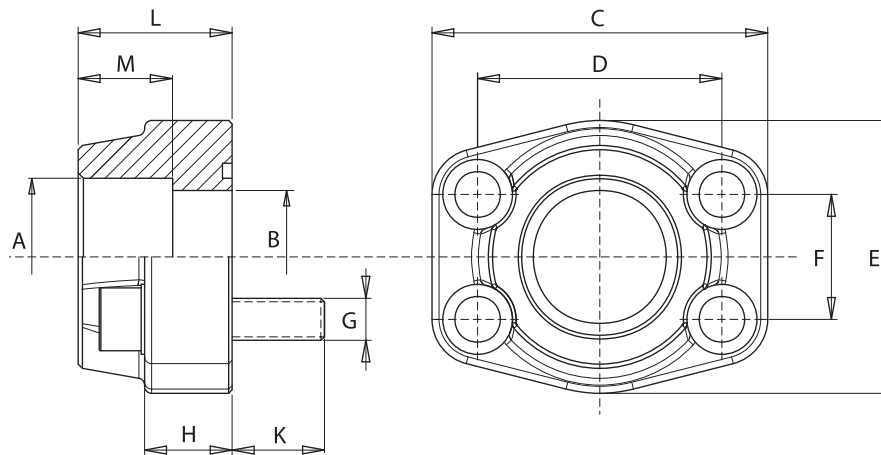


# Flange SAE a saldare di tasca Weld in SAE flanges



Materiale: Acciaio  
Material: Steel



## 3000 psi

PRESS. MAX bar	TIPO TYPE	A	S.A.E.	B	L	H	M	K	C	D	E	F	G		O-Rings
													Viti/Screws Metr.	UNC	
345	FS080038	17,5	3/8"	13	36	16	18	14	58	38,10	48	17,48	M8	5/16"	4075
345	FS080012	21,6	1/2"	13	36	16	18	14	58	38,10	48	17,48	M8	5/16"	4075
345	FS100034	27,2	3/4"	19	36	18	18	16	67	47,63	50	22,23	M10	3/8"	4100
345	FS102100	34,1	1"	25	38	18	18	16	71	52,37	54	26,19	M10	3/8"	4131
275	FS104114	42,8	1 1/4"	31	41	21	20	18	81	58,72	70	30,18	M10	7/16"	4150
200	FS106112	48,6	1 1/2"	38	44	25	22	18	95	69,85	78	35,71	M12	1/2"	4187
200	FS108200	61	2"	50	45	25	24	18	104	77,77	90	42,88	M12	1/2"	4225
170	FS110212	76,6	2 1/2"	63	50	25	28	18	116	88,90	102	50,80	M12	1/2"	4275
135	FS112300	90,5	3"	73	50	27	28	25	136	106,38	125	61,93	M16	5/8"	4337
35	FS114312	103	3 1/2"	89	50	27	28	25	154	120,65	138	69,85	M16	5/8"	4387
35	FS116400	115,5	4"	99	50	27	28	25	164	130,18	148	77,77	M16	5/8"	4437
35	FS118500	142	5"	120	50	28	28	25	185	152,40	181	92,08	M16	5/8"	4537

## 6000 psi

PRESS. MAX bar	TIPO TYPE	A	S.A.E.	B	L	H	M	K	C	D	E	F	G		O-Rings
													Viti/Screws Metr.	UNC	
420	FS401038	17,5	3/8"	13	36	16	18	14	58	40,49	48	18,24	M8	5/16"	4075
420	FS401012	21,6	1/2"	13	36	16	18	14	58	40,49	48	18,24	M8	5/16"	4075
420	FS402034	27,2	3/4"	19	36	19	20	16	72	50,80	54	23,80	M10	3/8"	4100
420	FS403100	34,1	1"	25	44	24	22	19	81	57,15	67	27,76	M12	7/16"	4131
420	FS404114	42,8	1 1/4"	31	44	27	22	22	95	66,68	78	31,75	M14	1/2"	4150
420	FS405112	48,6	1 1/2"	38	51	30	24	24	107	79,38	90	36,50	M16	5/8"	4187
420	FS406200	61	2"	50	70	37	25	32	136	96,82	117	44,45	M20	3/4"	4225
420	FS408212	76,6	2 1/2"	63	75	45	28	40	167	123,80	151	58,70	M24	-	4275
420	FS410300	90,5	3"	73	90	55	30	55	209	152,40	179	71,40	M30	-	4337

## Esempio codice di ordinazione - Ordering example

FS 108 200 -  
Flangia  
Flange

Su richiesta: - On request:  
**M** Viti metriche, rondelle, O-Rings  
 Metrical screws, washers, O-Rings  
**U** Viti UNC, rondelle, O-Rings  
 UNC screws, washers, O-Rings  
 (brunite - burnished)