

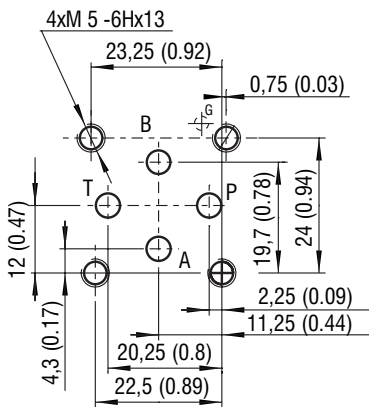
Serial Plates for ISO 4401-02 Valve with Side Ports

DR1-04

Size 04 (D02) • p_{max} 320 bar (4600 PSI)



ISO 4401-02-01-0-05



Ports P, A, B, T - max \varnothing 4.5 mm (0.18 in)

Technical Features

- › Designed to connect in parallel two or more ISO 4401-02 (CETOP 02) valves with integrated unloading and pressure relief valve cavity with interface 3/4-16 UNF-2A
- › Compact design with reduced plate dimensions for production cost saving
- › Maximum 8 parallel modular valve sections
- › Consumer ports A and B positioned on the side of the sub-plate
- › Maximum flow rate can be increased up to twice the output if the sub-plates are powered at both ends
- › Serial plates are available in aluminium EN AW - 7075 T6
- › In the standard version, the aluminium serial plate is without surface protection

Technical Data

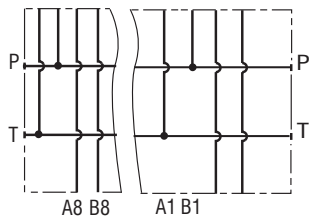
Modular valves mounting surface		04 (D02)
Cartridge cavity		A2
Max. operating pressure (aluminium)	bar (PSI)	320 (4640)
Port dimensions P		G 3/8
Port dimensions T		G 3/8
Port dimensions A, B		G 1/4
Port dimensions M		G 1/4
Mass (Model 0, 1, 2)	kg (lbs)	see table

	Data Sheet	Type
General information	GI_0060	Products and operating conditions
Cavity details	SMT_0019	SMT_A2*
Mounting interface / tolerances	SMT_0019	Size 04
Studs and nuts for vertical stacking assemblies		HA_0020

Connection

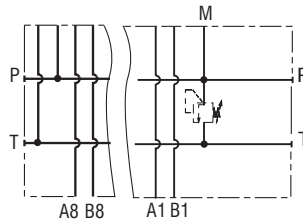
DR1-04/ 0

P, TG3/8
A, BG1/4



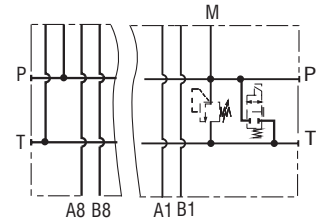
DR1-04/ 1

P, TG3/8
A, B, MG1/4
valve cavity 3/4-16 UNF



DR1-04/ 2

P, TG3/8
A, B, MG1/4
2 valve cavities 3/4-6 UNF



Ordering Code

DR1 - 04 / -

Serial plates for ISO 4401-03 valve with side ports

Nominal size

Number of sections

1 section	1
2 sections	2
3 sections	3
4 sections	4
5 sections	5
6 sections	6
7 sections	7
8 sections	8

AL

No designation

Surface treatment
Aluminium plate without treatment

Material
aluminium EN AW - 7075 T6

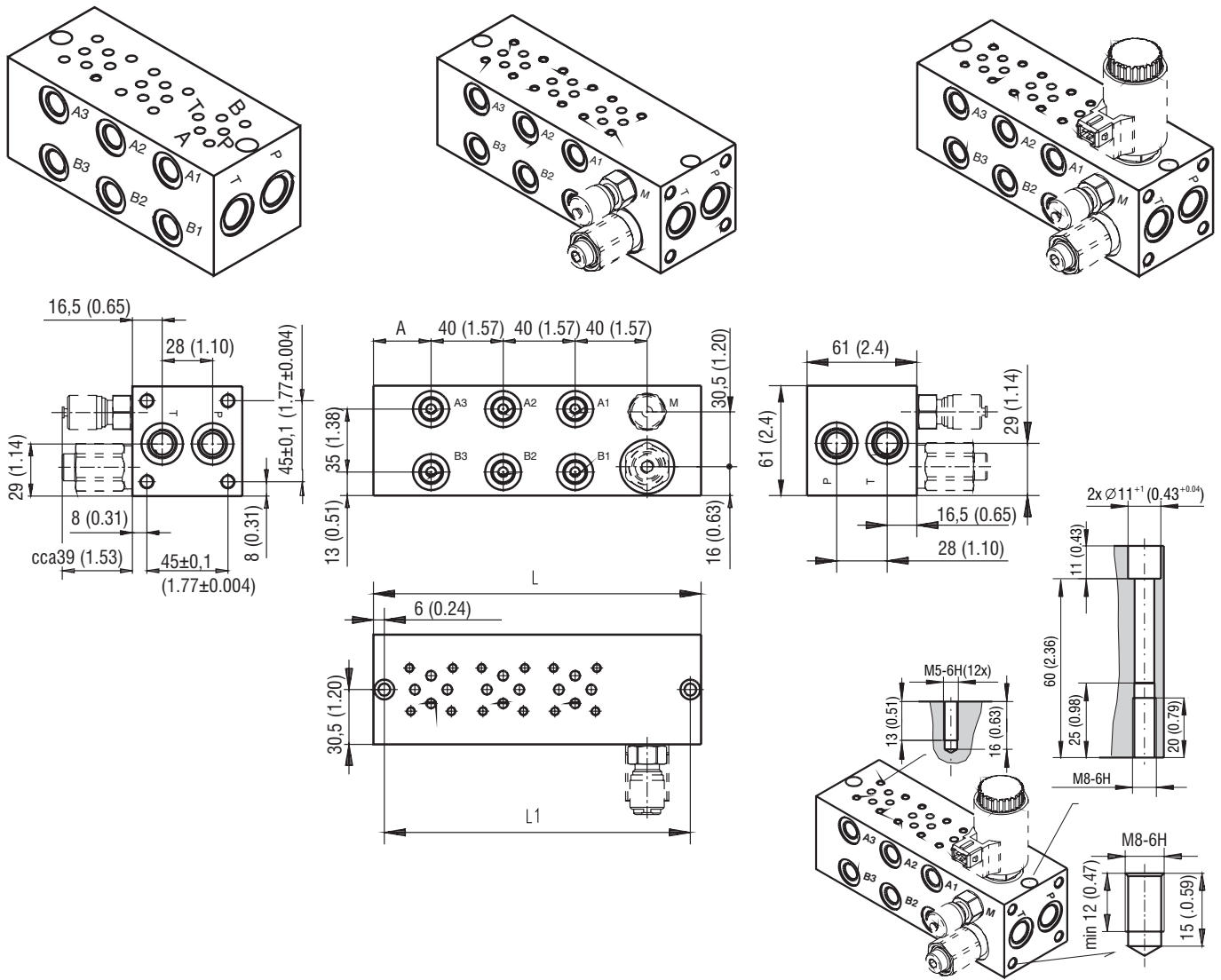
Cartridge cavity
without cavities
with one cavity for pressure or unloading valve
with two cavities for pressure relief and unloading valve

Dimensions in millimeters (inches)

DR2-04/ 0

DR2-04/ 1

DR2-04/ 2



DR2-04	/*0		/*1(2)		/*0		/*1(2)	
Number of sec.	L [mm(in)]		L1 [mm(in)]		A [mm(in)]			
1	-	102 (4.02)	-	90 (3.54)	32.5 (1.28)	32 (1.26)		
2	105 (4.13)	142 (5.59)	91 (3.58)	130 (5.12)	32.5 (1.28)	32 (1.26)		
3	145 (5.71)	182 (7.17)	131 (5.16)	170 (6.69)	32.5 (1.28)	32 (1.26)		
4	185 (7.28)	222 (8.74)	171 (6.73)	210 (8.27)	32.5 (1.28)	32 (1.26)		
5	225 (8.86)	262 (10.31)	211 (8.31)	250 (9.84)	32.5 (1.28)	32 (1.26)		
6	265 (10.43)	302 (11.89)	251 (9.88)	290 (11.42)	32.5 (1.28)	32 (1.26)		
7	305 (12.01)	342 (13.46)	291 (11.46)	330 (12.99)	32.5 (1.28)	32 (1.26)		
8	345 (13.58)	382 (15.04)	331 (13.03)	370 (14.57)	32.5 (1.28)	32 (1.26)		

Number of sec.	DR2-04/*0		DR2-04/*1		DR2-04/*2	
	Ordering number	Mass [kg (lb)]	Ordering number	Mass [kg (lb)]	Ordering number	Mass [kg (lb)]
1	-	-	16113500	0.90 (2.0)	23693100	0.90 (2.0)
2	16112800	0.95 (2.1)	16113600	1.25 (2.8)	23693200	1.35 (3.0)
3	16112900	1.30 (2.9)	16113700	1.40 (3.1)	23693300	1.60 (3.5)
4	16113000	1.70 (3.8)	16113800	2.00 (4.4)	23693400	2.00 (4.4)
5	16113100	2.05 (4.5)	16113900	2.35 (5.2)	16772000	2.35 (5.2)
6	16113200	2.40 (5.3)	16114000	2.75 (6.1)	23693600	2.70 (6.0)
7	16113300	2.80 (6.2)	16114100	3.10 (6.8)	23693700	3.10 (6.8)
8	16113400	3.15 (6.9)	16114200	3.45 (7.6)	23693800	3.45 (7.6)