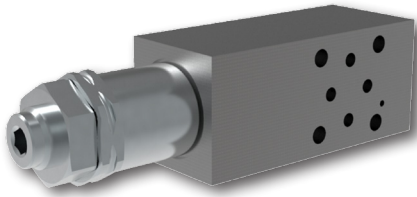


VPP2-04/M(R)

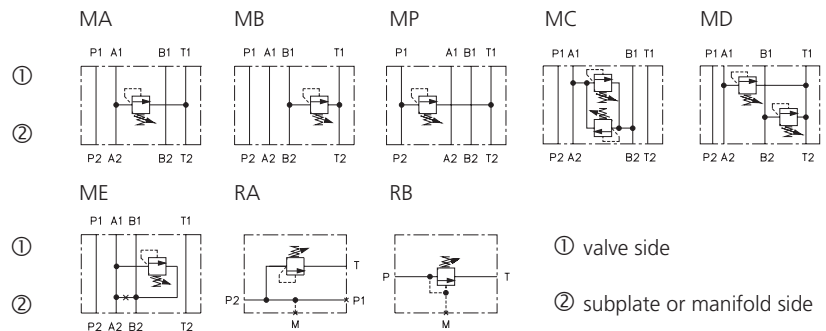
Size 04 (D02), 06 (D03) • Q_{max} 40 l/min (11 GPM) • p_{max} 320 bar (4600 PSI)



Technical Features

- › Pressure relief valve, poppet type, direct acting, modular with mounting interface acc. to ISO 4401, DIN 24340 (CETOP 02 and 03) or in-line design
- › Excellent stability throughout flow range with rapid response to dynamic pressure changes
- › Low hysteresis, accurate pressure control and low pressure drop
- › Wide pressure range up to 320 bar
- › Hardened precision parts
- › Sharp-edged steel seats for dirt-tolerant performance
- › Leak-free closing, suitable for fast cycling with long life
- › Adjustable by allen key or hand screw
- › In the standard version the valve body is phosphated. The valve surface are zinc coated (240 h corrosion protection in NSS acc. to ISO 9227)

Functional Symbols

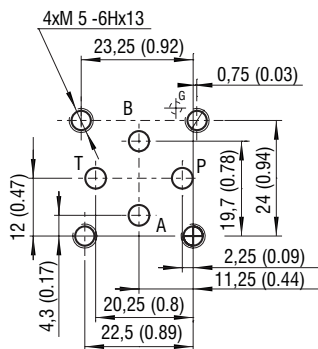


Notice: The orientation of the symbol on the name plate corresponds with the valve function.

Technical Data

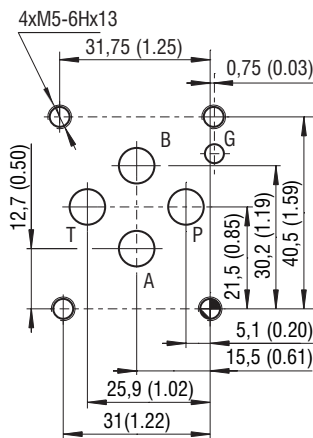
Valve size	04 (D02), 06 (D03)	
Max. flow	l/min (GPM)	40 (10.6)
Max. pressure	bar (PSI)	320 (4640)
Fluid temperature range (NBR)	°C (°F)	-30...+100 (-22...+212)
Fluid temperature range (FPM)	°C (°F)	-20...+120 (-4...+248)
Weight - models MA (B, P) 04	kg (lbs)	0.82 (1.81)
- models MC (D, E) 04		1.32 (2.91), ME 1.25 (2.76)
- models MA (B, P) 06		1.12 (2.46)
- models MC (D, E) 06		1.42 (3.12), ME 1.35 (2.98)
- models RA1 (2), RB1 (2)		1.17 (2.57)
	Datasheet	Type
General information	GI_0060	Products operating conditions
Mounting interface	SMT_0019	Size 04 / 06
Spare parts	SP_8010	

ISO 4401-02-01-0-05



Ports P, A, B, T - max. Ø4.5 mm (0.18 in)

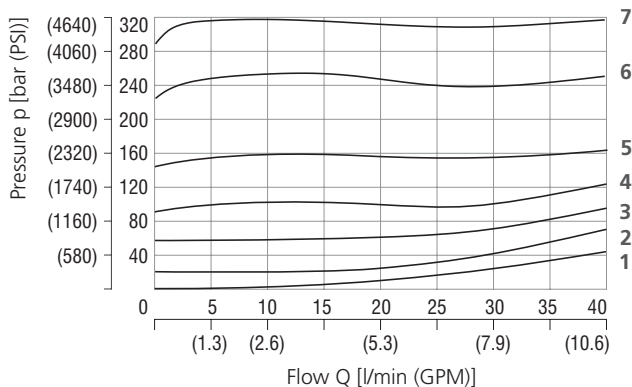
ISO 4401-03-02-0-05



Ports P, A, B, T - max. Ø7.5 mm (0.29 in)

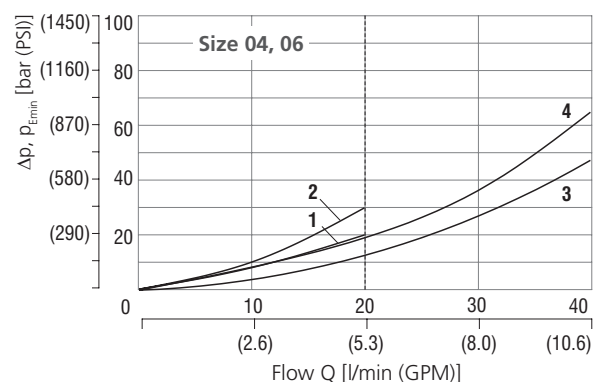
Characteristics measured at v = 32 mm²/s (156 SUS)

Relief pressure related to flow rate



Pressure range	Min. pressure setting	2	6	10	16	25	32
	1	2	3	4	5	6	7

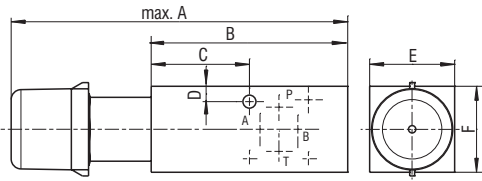
Minimum set and circulation pressure



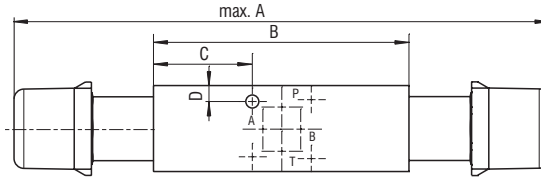
Size 04	Size 06	Models
1	3	MA, MB, MP, MD
2	4	MC, ME

Dimensions in millimeters (inches)

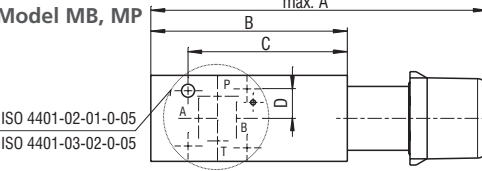
Model MA



Model MC,MD

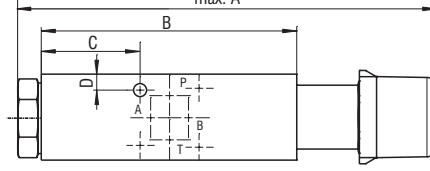


Model MB, MP



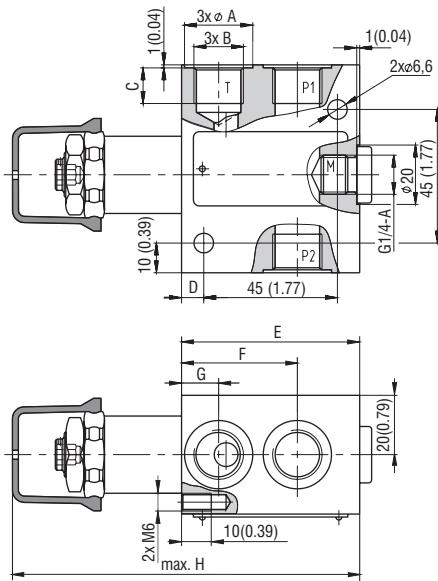
ISO 4401-02-01-0-05
ISO 4401-03-02-0-05

Model ME

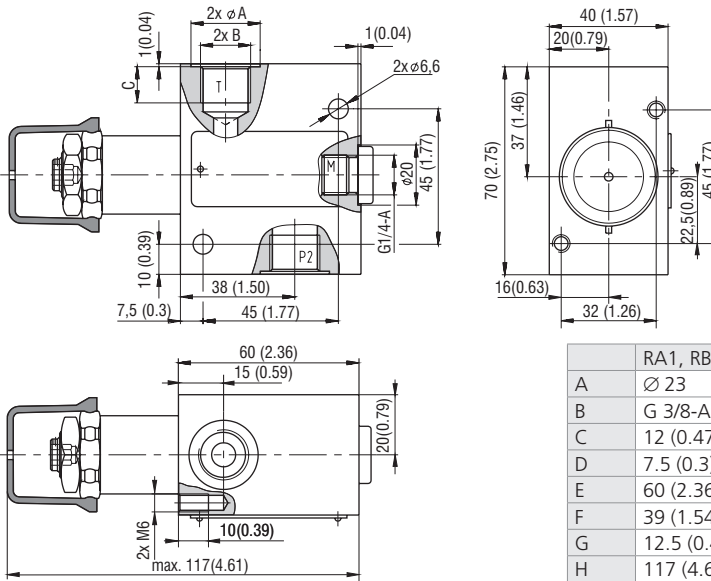


Version	Size	04 (D02)	06 (D03)
MA (B,P)	A	137 (5.39)	
MC (D)		218 (8.58)	208 (8.19)
ME		170.5 (6.71)	160.5 (6.32)
MA (B,P)	B	80 (3.15)	
MC (D,E)		104 (4.09)	94 (3.70)
MA (C,D,E)	C	40 (1.57)	25.5 (1.0)
MB (P)		64 (2.52)	68.5 (2.7)
	D	6.25 (0.25)	7 (0.28)
MA (B,C)	E	35 (1.38)	40 (1.57)
MD (E,P)	F	35 (1.38)	45 (1.77)

Model RA1, RA2



Model RB1, RB2



	RA1, RB1	RA2, RB2
A	∅ 23	∅ 28
B	G 3/8-A	G 1/2-A
C	12 (0.47)	14 (0.55)
D	7.5 (0.3)	18 (0.71)
E	60 (2.36)	70 (2.76)
F	39 (1.54)	46 (1.81)
G	12.5 (0.49)	16 (0.63)
H	117 (4.61)	127 (5)

Ordering Code

VPP2-04 / [] - [] - [] - [] - []

Pressure relief valve, poppet type, direct acting, modular

Model
 modular, valve from A to T
 modular, valve from B to T
 modular, valve from P to T
 modular, valve from A to B and B to A
 modular, valve from A to T and B to T
 modular, valve from A to B
 in-line valve, three ports, thread G 3/8 (P1, P2, T)
 in-line valve, three ports, thread G 1/2 (P1, P2, T)
 in-line valve, two ports, thread G 3/8 (P, T)
 in-line valve, two ports, thread G 1/2 (P, T)

MA
MB
MP
MC
MD
ME
RA1
RA2
RB1
RB2

Modular plate size
 ISO 4401-02-01-0-05, DIN 24340 (CETOP 02), size 04 **04**
 ISO 4401-03-02-0-05, DIN 24340 (CETOP 03), size 06 **06**

Surface treatment
 No designation standard
A zinc-coated (ZnCr-3), ISO 9227 (240 h)
B zinc-coated (ZnNi), ISO 9227 (520 h)

Seals
 No designation NBR
V FPM (Viton)

Adjustment option*
S allen key (hex. 6), without protective cap
T allen key (hex. 6), with protective cap
RS hand screw, metal
L allen key (hex. 6), with protective cap, sealable (lockwire holes)
Model with two pressure relief cartridges
S/RS A side, allen key (hex. 6), without protective cap
 B side, hand screw, metal

*for dimensions of adjustment options see data sheet No.5093

Pressure range
2 up to 25 bar (360 PSI)
6 up to 63 bar (910 PSI)
10 up to 100 bar (1450 PSI)
16 up to 160 bar (2320 PSI)
25 up to 250 bar (3630 PSI)
32 up to 320 bar (4600 PSI)

Model with two pressure relief cartridges
32/10 320 bar (4600 PSI) in port A, 100 bar (1450 PSI) in port B