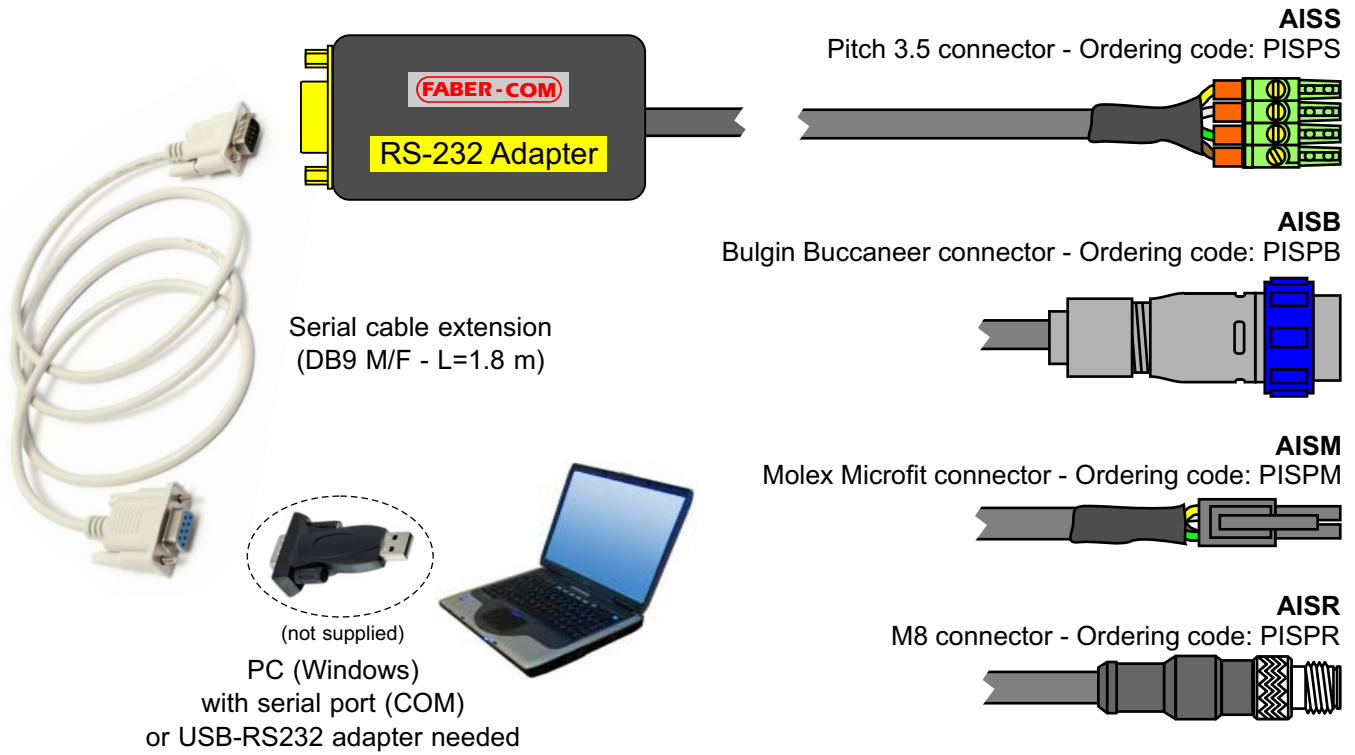


Serial interface adapter for Faber-Com electronic cards



DESCRIPTION

The AIS Serial Interface Adapter is the only medium to connect all programmable Faber-Com electronic devices to a PC for programming, calibration, firmware update and working parameters monitoring.

The communication between the device and PC is supported by SepSim, a Windows application (XP/Vista/7/8/10 tested). The "Lite" version of SepSim is provided, free of charge.

With this application a device configuration can be saved to a file and downloaded into another device.

The application requires a serial port or a USB to RS232 converter (not supplied).

The SepSim program file is self-installing and the application is extremely user friendly.

AIS is provided with a 1,80 m long serial extension cable (DB9 male/female).

On the right is showed the main page of SepSim.

Descriptions of parameters can be easily customized.

