

Content

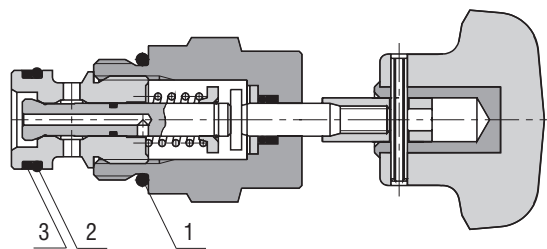
1 Directional Control Valves and Poppet Valves	
ROR3-062 (4025), PD2E1 (4050).....	2
SD1E-A2 (4070), SD2E-A2 (4040), SD3E-A2 (4043), SD1M-A2/L (4051)	2
SD1E-A3 (4071), SD2E-A3 (4041), SD2E-A4 (4042).....	3
SD2E-B2 (4060), SD3E-B2 (4063), SD2E-B3 (4061)	4
SD2E-B4 (4062), SD2H-LA3 (4080).....	5
RPR3-04 (4018), RPR3-06 (4004), RPR1-10 (4084).....	6
RPH2-06 (4005), RPH3-06 (4006).....	7
RPK1-06 (4038).....	7
RPEK1-03 (4027).....	8
RPE2-04 (4012).....	9
RPE3-04 (4014).....	10
RPE3-06 (4010), RPEA3-06 (4029), RPEW4-06 (4035), RPER3-06 (4026).....	11
ROE3-042S5(S6) (4055), ROE3-062S2 (4022), ROE3-042S5(S6)M (4073), ROE3-062S2M (4072)	12
RPEL1-04 (4037), RPEL1-06 (4056).....	13
RPE4-10 (4039), RPEW4-10 (4044).....	14
RNEH1-10 (4075), RNEH5-16 (4023), RNEH4-25 (4024)	15
2 Check Valves	
LV1-043 (5008), LV2-043 (5028), LV1-063/S (5015), LV1-063/M (5030).....	16
MVJ3-06 (5018), MVJ3-10 (5020)	16
VJR1-04/M (5023), VJR2-06/M (5024), 2RJV1-06/M (5021), VJR2-10/M (5025).....	17
RJV1-05 (5111).....	17
SC1F-A2 (5010), SC1F-A3 (5016), SC1F-B2 (5017), SH1F-A3 (5029).....	17
SC5H-Q3/I (5217), SC5H-R3/I (5218), SC5H-S3/I (5220), SCD5H-R3/I (5219).....	18
SCC5H-Q3/I (5221), SCC5H-S3/I (5222)	18
VJL2-304 (5007), VJ3 (5009), VJS3 (5019).....	18
VJO1-04/M (5012), VJO1-06/S (5004), VJO1-10/S (5307)	19
3 Pressure Control Valves	
SU6A-U3/I (5224), SUD6A-V4/I (5225), SUD6A-U4/I (5226)	20
VPP2-04/S (5093), VPP2-04/M(R) (5094).....	20
VPP2-06 (5062), VPP2-06-SV/xx-CE1017 (5066).....	20
VPP1-06(08,10) (5061).....	21
VPN1-06/S (5161), VPN1-06/M(R) (5160).....	21
DBV3 (5092).....	21
VPN2-10/S (5163), VPN2-10/M(R) (5164).....	22
VRN2-06/S (5153), VRN2-06/M (5155), VRN2-10/S (5154), VRN2-10/M (5156).....	22
VRP2-04 (5142), VRP2-06 (5145)	23
SS4A-A3 (5049), SP2A-A3 (5143), SP2A-B3 (5146), SP4A-B3 (5144)	23
SR1A-A2 (5063), SR1A-B2 (5064), SR1A-B2*CE1017 (5084), SR4A-B2 (5065), SR4E2-B2 (5068).....	23
VPP-R-16(25) (5300), VPP-R-16-xx-L-CE1017 (5095).....	24
4 Flow Control Valves	
SF22A-A2/H (5060), SF22A-B2/H (5067), SF32A-B3/H (5070), ST2C1A-A2 (5133), ST21A-B2 (5134).....	25
SF2C2A-K2/I (5236), SF32A-K3/I (5227)	25
SFD2F-B4/I (5234), SFD2F-D4/I (5235).....	25
VSK (5121), VSO1-04/R (5054), VSO1-04/M (5053).....	26
2VS3-06 (5051), VSS1-206 (5032), VSS1-306 (5033), VSS2-206 (5041).....	26
VSO2-10/M (5056), VSO3-10/M (5076).....	26
VSS3-062/S (5057), VSS3-062/M (5050).....	26
VSV2 (5132).....	27
5 Overcentre Valves	
SO5A-Q3/I (5200), SOP5A-Q3/I (5201), SOB5A-Q3/I (5202).....	28
SO5A-R3/I (5205), SOP5A-R3/I (5206), SOB5A-R3/I (5207), SOBD5A-R4/I (5208)	28
SO5A-T3/I (5214), SOP5A-T3/I (5215).....	28
SOB5A-S3/I (5211), SOBD5A-S4/I (5212)	28
6 Proportional Valves	
TV2-063/S (5158), TV2-062/M (5166), TV2-063/M (5168) TV2-042/M (5167), TV2-043/M (5188)	29
TV2-102/S (5179), TV2-103/S (5180), TV2-102/M (5169), TV2-103/M (5170)	29
PP2P1-W3 (5125), PP2P3-W3 (5147).....	30
PRL1 (5101), PRL2 (5103).....	30
PRM2-04 (5105), PRM2-06 (5104), PRM6-10 (5115)	31
PRM7-04 (5120), PRM7-06 (5119), PRM7-10 (5116).....	32
PRM8-06 (5178).....	33
PVRM1-063/S (5108), PVRM3-10 (5118)	33
SR1P2-A2 (5122), SR4P2-B2 (5117), SRN1P1-A2 (5137), SRN4P1-B2 (5138).....	34
SP4P2-B3 (5123), SPN4P1-B3 (5139), SP4P1-B4 (5124).....	34
7 Explosion Proof Valves (ATEX)	
SD1EX-A3 (4068), SD2EX-B2 (4064), SD2EX-B3 (4065), SD2EX B4 (4066), SD3EX-B2 (4067).....	35
RPEX3-06 (4054).....	36
RNEXH1-10 (4077), RNEH5-16 (4058), RNEXH4-25 (4059).....	37

1 Directional Control Valves and Poppet Valves

Product (Datasheet): **ROR3-062 (4025)**

Cavity QG2 M22x1.5

- 1 - O-ring
- 2 - O-ring
- 3 - Back-up ring

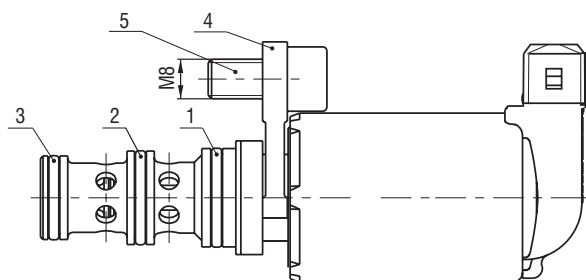


Position	ROR3-062											
1+2+3	Seal Kit	Pos.	O-ring	Pcs	Pos.	O-ring	Pcs	Pos.	Back-up ring	Pcs	Ordering No.	
	NBR	1	19.4x2.1	1	2	14x1.78	1	3	14.73x17.43x1.1	1	15650200	
	FPM		19.4x2.1	2		14x1.78	4		14.73x17.43x1.1	2	16954700	

Product (Datasheet): **PD2E1 (4050)**

Cavity D17/Y3 Cavity D20/X3, W3

- 1, 2, 3 - O-ring
- 4 - Fork Slip-In M8
- 5 - Bolt M8x16 (ISO 4762)

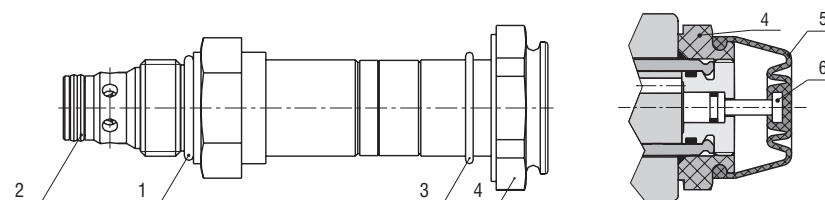


Position	PD2E1											
1+2+3	Seal Kit	Pos.	O-ring	Pcs	Pos.	O-ring	Pcs	Pos.	O-ring	Pcs	Ordering No.	
Cavity	NBR	3	11.2x1.8	1	2	12.42x1.78	1	1	14x1.78	1	17938600	
Y3	FPM	3	11.2x1.8	1	2	12.42x1.78	1	1	14x1.78	1	On request	
Cavity	NBR	3	14x1.78	1	2	16x1.8	1	1	17x1.8	1	16961300	
X3, W3	FPM	3	14x1.78	1	2	16x1.8	1	1	17x1.8	1	On request	
4+5	Kit - Fork+Bolt M8	Pos.		Pcs	Pos.		Pcs				Ordering No.	
		4	Fork SLIP-IN M8	1	5	Bolt M8x16 021143 Zn / PO-A	1				16961500	

Product (Datasheet): **SD1E-A2 (4070), SD2E-A2 (4040), SD3E-A2 (4043), SD1M-A2/L (4051)**

Cavity A2 3/4-16 UNF

- 1 - O-ring
- 2 - Dualseal
- 3 - O-ring
- 4 - Retaining nut
- 5 - Rubber boot protector
- 6 - Actuating pin



Position	SD2E-A2/L, SD3E-A2/L, SD1M-A2/L											
1+2	Seal Kit	Pos.	Dualseal SSA	Pcs	Pos.	O-ring NBR	Pcs	Pos.	O-ring Viton - FPM	Pcs	Ordering No.	
	NBR	2	10.3x12.7x3.1	1	1	17x1.8	1	-	-	-	20776700	
	FPM	2	10.3x12.7x3.1	1	-	-	-	1	17.17x1.78	1	17014300	
Position	SD2E-A2/L, SD3E-A2/L											
3+4	Nut Kit	Pos.	O-ring	Pcs	Pos.	Retaining nut	Pcs					
		3	13x2	1	4	Plastic	1					15691500
Position	SD2E-A2/L											
5+6	Kit	Pos.	Rubber boot	Pcs	Pos.	Actuating pin	Pcs					
	for M2	5		1	6		1					29269100
Position	SD1E-A2/H, SD2E-A2/H, SD3E-A2/H											
1+2	Seal Kit	Pos.	Dualseal SSA	Pcs	Pos.	O-ring NBR	Pcs	Pos.	O-ring Viton - FPM	Pcs	Ordering No.	
	NBR	2	10.3x12.7x3.1	1	1	17x1.8	1	-	-	-	20776700	
	FPM	2	10.3x12.7x3.1	1	-	-	-	1	17.17x1.78	1	17014300	
3+4	Nut Kit	Pos.	O-ring	Pcs	Pos.	Retaining nut	Pcs					
		3	18x1.5	1	4	Plastic	1					20777000
5+6	Kit	Pos.	Rubber boot	Pcs	Pos.	Actuating pin	Pcs					
	for M2	5		1	6		1					24142700

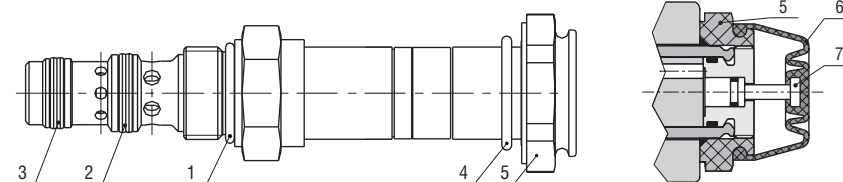
All dimensions are indicated in millimeters [mm].

1 Directional Control Valves and Poppet Valves

Product (Datasheet): **SD1E-A3 (4071), SD2E-A3 (4041)**

Cavity A3 3/4-16 UNF

- 1 - O-ring
- 2, 3 - Dualseal
- 4 - O-ring
- 5 - Retaining nut
- 6 - Rubber boot protector
- 7 - Actuating pin

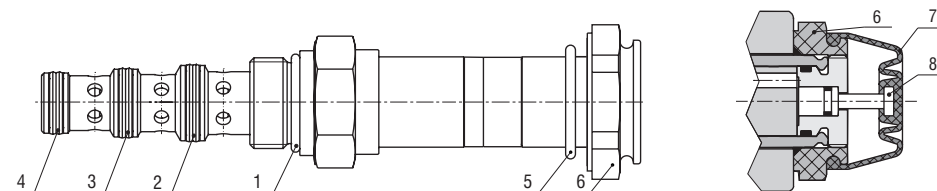


Position	SD2E-A3/L											
1+2+3	Seal Kit	Pos.	Dualseal SSA	Pcs	Pos.	O-ring NBR	Pcs	Pos.	O-ring Viton - FPM	Pcs	Ordering No.	
	NBR	3	11.87x14.27x3.1	1	1	17x1.8	1	-	-	-	15661700	
		2	13.47x15.87x3.1	1								
	FPM	3	11.87x14.27x3.1	1	-	-	-	1	17.17x1.78	1	20777200	
		2	13.47x15.87x3.1	1								
Position	SD2E-A3/L											
4+5	Nut Kit	Pos.	O-ring	Pcs	Pos.	Retaining nut	Pcs					
		4	13x2	1	5	Plastic	1					15691500
Position	SD2E-A3/L											
6+7	Kit for M2	Pos.	Rubber boot	Pcs	Pos.	Actuating pin	Pcs					
		6		1	7		1					29269100
Position	SD1E-A3/H, SD2E-A3/H											
1+2+3	Seal Kit	Pos.	Dualseal SSA	Pcs	Pos.	O-ring NBR	Pcs	Pos.	O-ring Viton - FPM	Pcs	Ordering No.	
	NBR	3	11.87x14.27x3.1	1	1	17x1.8	1	-	-	-	15661700	
		2	13.47x15.87x3.1	1								
	FPM	3	11.87x14.27x3.1	1	-	-	-	1	17.17x1.78	1	20777200	
		2	13.47x15.87x3.1	1								
4+5	Nut Kit	Pos.	O-ring	Pcs	Pos.	Retaining nut	Pcs					
		4	18x1.5	1	5	Plastic	1					20777000
6+7	Kit for M2	Pos.	Rubber boot	Pcs	Pos.	Actuating pin	Pcs					
		6		1	7		1					24142700

Product (Datasheet): **SD2E-A4 (4042)**

Cavity A4 3/4-16 UNF

- 1 - O-ring
- 2, 3, 4 - Dualseal
- 5 - O-ring
- 6 - Retaining nut
- 7 - Rubber boot protector
- 8 - Actuating pin



Position	SD2E-A4/L											
1+2+3+4	Seal Kit	Pos.	Dualseal SSA	Pcs	Pos.	O-ring NBR	Pcs	Pos.	O-ring Viton - FPM	Pcs	Ordering No.	
	NBR	4	10.3x12.7x3.1	1	1	17x1.8	1	-	-	-	20777300	
		3	11.87x14.27x3.1	1								
		2	13.47x15.87x3.1	1								
	FPM	4	10.3x12.7x3.1	1	-	-	-	1	17.17x1.78	1	20777400	
		3	11.87x14.27x3.1	1								
		2	13.47x15.87x3.1	1								
Position	SD2E-A4/L											
5+6	Nut Kit	Pos.	O-ring	Pcs	Pos.	Retaining nut	Pcs					
		5	13x2	1	6	Plastic	1					15691500
Position	SD2E-A4/L											
7+8	Kit for M2	Pos.	Rubber boot	Pcs	Pos.	Actuating pin	Pcs					
		7		1	8		1					29269100
Position	SD2E-A4/H											
1+2+3+4	Seal Kit	Pos.	Dualseal SSA	Pcs		O-ring NBR	Pcs	Pos.	O-ring Viton - FPM	Pcs	Ordering No.	
	NBR	4	10.3x12.7x3.1	1		17x1.8	1	-	-	-	20777300	
		3	11.87x14.27x3.1	1								
		2	13.47x15.87x3.1	1								
	FPM	4	10.3x12.7x3.1	1	-	-	-	1	17.17x1.78	1	20777400	
		3	11.87x14.27x3.1	1								
		2	13.47x15.87x3.1	1								
5+6	Nut Kit	Pos.	O-ring	Pcs	Pos.	Retaining nut	Pcs					
		5	18x1.5	1	6	Plastic	1					20777000
7+8	Kit for M2	Pos.	Rubber boot	Pcs	Pos.	Actuating pin	Pcs					
		7		1	8		1					24142700

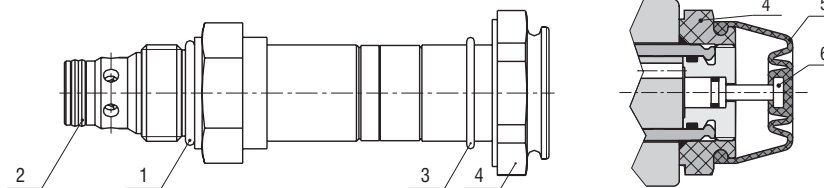
All dimensions are indicated in millimeters [mm].

1 Directional Control Valves and Poppet Valves

Product (Datasheet): **SD2E-B2 (4060), SD3E-B2 (4063)**

Cavity B2 7/8-14 UNF

- 1 - O-ring
- 2 - Dualseal
- 3 - O-ring
- 4 - Retaining nut
- 5 - Rubber boot protector
- 6 - Actuating pin



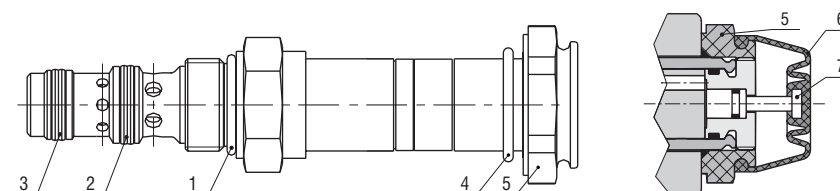
Position	SD2E-B2/L, SD3E-B2/L										
1+2	Seal Kit	Pos.	Dualseal SSA	Pcs	Pos.	O-ring NBR	Pcs	Pos.	O-ring Viton - FPM	Pcs	Ordering No.
	NBR	2	13.47x15.87x3.1	1	1	19.4x2.1	1	-	-	-	18960400
	FPM	2	13.47x15.87x3.1	1	-	-	-	1	19.4x2.1	1	18960500
3+4	Nut Kit	Pos.	O-ring		Pos.	Retaining nut	Pcs				
		3	18x1.5	1	4	Plastic	1				
5+6	Kit	Pos.	Rubber boot		Pos.	Actuating pin	Pcs				
	for M2	5		1	6		1				

Position	SD2E-B2/H, SD3E-B2/H										
1+2	Seal Kit	Pos.	Dualseal SSA	Pcs	Pos.	O-ring NBR	Pcs	Pos.	O-ring Viton - FPM	Pcs	Ordering No.
	NBR	2	13.47x15.87x3.1	1	1	19.4x2.1	1	-	-	-	18960400
	FPM	2	13.47x15.87x3.1	1	-	-	-	1	19.4x2.1	1	18960500
3+4	Nut Kit	Pos.	O-ring		Pos.	Retaining nut					
		3	22x2	1	4	Plastic	1				
5+6	Kit	Pos.	Rubber boot		Pos.	Actuating pin					
	for M2	5		1	6		1				

Product (Datasheet): **SD2E-B3 (4061)**

Cavity B3 7/8-14 UNF

- 1 - O-ring
- 2, 3 - Dualseal
- 4 - O-ring
- 5 - Retaining nut
- 6 - Rubber boot
- 7 - Actuating pin



Position	SD2E-B3/L										
1+2+3	Seal Kit	Pos.	Dualseal SSA	Pcs	Pos.	O-ring NBR	Pcs	Pos.	O-ring Viton - FPM	Pcs	Ordering No.
	NBR	3	13.47x15.87x3.1	1	1	19.4x2.1	1	-	-	-	18960700
		2	15.07x17.47x3.1	1							
	FPM	3	13.47x15.87x3.1	1	-	-	-	1	19.4x2.1	1	18960600
		2	15.07x17.47x3.1	1							
4+5	Nut Kit	Pos.	O-ring	Pcs	Pos.	Retaining nut	Pcs				
		4	18x1.5	1	5	Plastic	1				
6+7	Kit	Pos.	Rubber boot	Pcs	Pos.	Actuating pin	Pcs				
	for M2	6		1	7		1				

Position	SD2E-B3/H										
1+2+3	Seal Kit	Pos.	Dualseal SSA	Pcs	Pos.	O-ring NBR	Pcs	Pos.	O-ring Viton - FPM	Pcs	Ordering No.
	NBR	3	13.47x15.87x3.1	1	1	17x1.8	1	-	-	-	18960700
		2	15.07x17.47x3.1	1							
	FPM	3	13.47x15.87x3.1	1	-	-	-	1	17.17x1.78	1	18960600
		2	15.07x17.47x3.1	1							
4+5	Nut Kit	Pos.	O-ring	Pcs	Pos.	Retaining nut	Pcs				
		4	22x2	1	5	Plastic	1				
6+7	Kit	Pos.	Rubber boot		Pos.	Actuating pin					
	for M2	6		1	7		1				

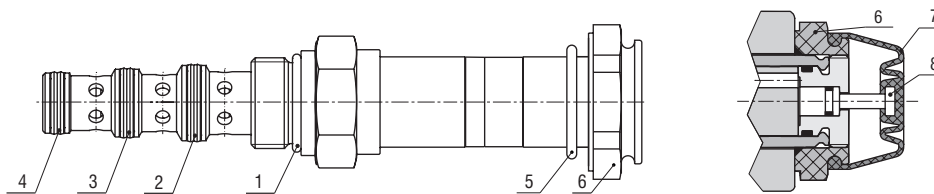
All dimensions are indicated in millimeters [mm].

1 Directional Control Valves and Poppet Valves

Product (Datasheet): **SD2E-B4 (4062)**

Cavity B4 7/8-14 UNF

- 1 - O-ring
- 2, 3, 4 - Dualseal
- 5 - O-ring
- 6 - Retaining nut
- 7 - Rubber boot
- 8 - Actuating pin



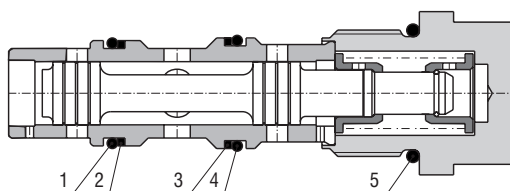
Position	SD2E-B4/L										
1+2+3+4	Seal Kit	Pos.	Dualseal SSA	Pcs	Pos.	O-ring NBR	Pcs	Pos.	O-ring Viton - FPM	Pcs	Ordering No.
	NBR	4	13.47x15.87x3.1	1	1	19.4x2.1	1	-	-	-	18960800
		3	15.07x17.47x3.1	1							
		2	16.65x19.05x3.1	1							
	FPM	4	13.47x15.87x3.1	1	-	-	-	1	19.4x2.1	1	18960900
		3	15.07x17.47x3.1	1							
		2	16.65x19.05x3.1	1							
5+6	Nut Kit	Pos.	O-ring	Pcs	Pos.	Retaining nut	Pcs				Ordering No
		5	18x1.5	1	6	Plastic	1				20777000
7+8	Kit	Pos.	Rubber boot	Pcs	Pos.	Actuating pin	Pcs				Ordering No
	for M2	7		1	8		1				24142700

Position	SD2E-B4/H										
1+2+3+4	Seal Kit	Pos.	Dualseal SSA	Pcs	Pos.	O-ring NBR	Pcs	Pos.	O-ring Viton - FPM	Pcs	Ordering No.
	NBR	4	13.47x15.87x3.1	1	1	19.4x2.1	1	-	-	-	18960800
		3	15.07x17.47x3.1	1							
		2	16.65x19.05x3.1	1							
	FPM	4	13.47x15.87x3.1	1	-	-	-	1	19.4x2.1	1	18960900
		3	15.07x17.47x3.1	1							
		2	16.65x19.05x3.1	1							
5+6	Nut Kit	Pos.	O-ring	Pcs	Pos.	Retaining nut	Pcs				Ordering No
		5	22x2	1	6	Plastic	1				15844600
7+8	Kit	Pos.	Rubber boot	Pcs	Pos.	Actuating pin	Pcs				Ordering No
	for M2	7		1	8		1				40099800

Product (Datasheet): **SD2H-LA3 (4080)**

Cavity LA3 M24x1.5

- 1 - O-ring
- 2 - Back-up ring
- 3 - Back-up ring
- 4 - O-ring
- 5 - O-ring



Position	SD2H-LA3										
1+2+3+4+5	Seal Kit	Pos.	O-ring NBR	Pcs	Pos.	Back-up ring (PTFE)	Pcs				Ordering No.
	NBR	1	16x2	1	2	17x20x1.4	1				40101900
		4	17X2	1	3	18x21x1.4	1				
		5	21.3X2.4	1	-		-				
1+2+3+4+5	Seal Kit	Pos.	O-ring Viton - FPM	Pcs	Pos.	Back-up ring (PTFE)	Pcs				Ordering No.
	FPM	1	16x2	1	2	17x20x1.4	1				On request
		4	17X2	1	3	18x21x1.4	1				
		5	21.3X2.4	1	-		-				

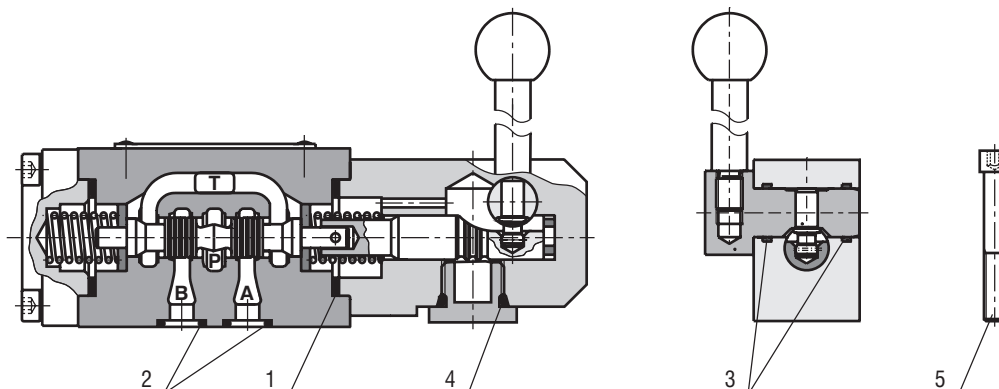
All dimensions are indicated in millimeters [mm].

1 Directional Control Valves and Poppet Valves

Product (Datasheet): **RPR3-04 (4018), RPR3-06 (4004)**

Valve size 04, 06

- 1 - O-ring
- 2 - Square ring (NBR), O-ring (FPM)
- 3 - O-ring
- 4 - O-ring
- 5 - Bolt

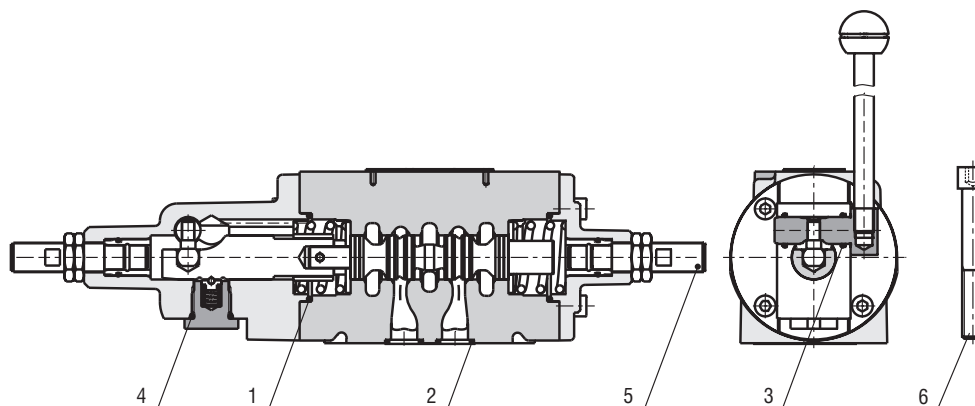


Position	RPR3-04													
1+2+3+4	Seal Kit	Pos.	O-ring	Pcs	Pos.	Ring	Pcs	Pos.	O-ring	Pcs	Pos.	O-ring	Pcs	Ordering No.
	NBR	1	22x2	2	2	Square ring 7.65x1.68	4	3	11x1.5	2	4	11.3x2.4	1	15673600
	FPM		22x2	2		O-ring 7.5x1.8	4		11x1.5	2		11.3x2.4	1	20897200
5	Bolt Kit	Pos.	Mounting bolts for steel plates				Pcs							Ordering No.
		5	Bolt M5x35				4							15874600
Bolts for flange			M4x16											
For studs see Datasheet Studs and Nuts_Dn04_06_10_0020														
Position	RPR3-06													
1+2+3+4	Seal Kit	Pos.	O-ring	Pcs	Pos.	Ring	Pcs	Pos.	O-ring	Pcs	Pos.	O-ring	Pcs	Ordering No.
	NBR	1	22x2	2	2	Square ring 9.25x1.68	4	3	11x1.5	2	4	11.3x2.4	1	15700300
	FPM		22x2	2		O-ring 9.25x1.78	4		11x1.5	2		11.3x2.4	1	15700600
5	Bolt Kit	Pos.	Mounting bolts for steel plates				Pcs							Ordering No.
		5	Bolt M5x45				4							15845100
Bolts for flange			M5x16											
			Mounting bolts for flange are not available											
For studs see Datasheet Studs and Nuts_Dn04_06_10_0020														

Product (Datasheet): **RPR1-10 (4084)**

Valve size 10

- 1 - O-ring
- 2 - Square ring
- 3 - O-ring
- 4 - O-ring
- 5 - Sensor
- 6 - Bolt



Position	RPR1-10													
1+2+3+4	Seal Kit	Pos.	O-ring	Pcs	Pos.	Square ring	Pcs	Pos.	O-ring	Pcs	Pos.	O-ring	Pcs	Ordering No.
	NBR	1	32x2	2	2	12.42x1.68	5	3	11x1.5	2	4	14x1.78	1	33830800
	FPM		32x2	2		12.42x1.68	5		11x1.5	2		14x1.78	1	34635600
5	Model	Pos.					Pcs	Max. input voltage				Ordering No.		
Sensor	SO	5	normally-open sensor (50 bar)				1	10...30 VDC				16688500		
	SC		normally-closed sensor (50 bar)				1					20725300		
6	Bolt Kit			Pos.			Pcs							
Mounting bolts for steel plates				7	Bolt M6x40		4	for studs see Datasheet 0020				15847700		

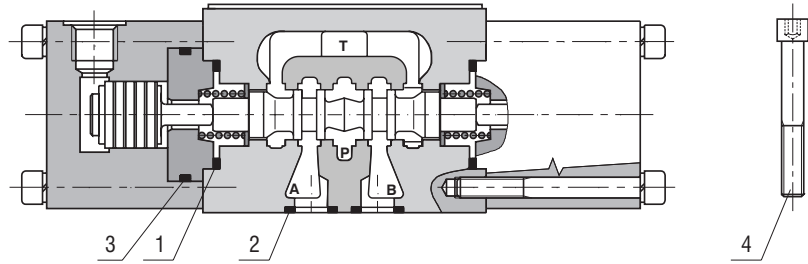
All dimensions are indicated in millimeters [mm].

1 Directional Control Valves and Poppet Valves

Product (Datasheet): **RPH2-06 (4005), RPH3-06 (4006)**

Valve size 06

- 1 - O-ring
- 2 - Square ring (NBR), O-ring (FPM)
- 3 - O-ring
- 4 - Bolt

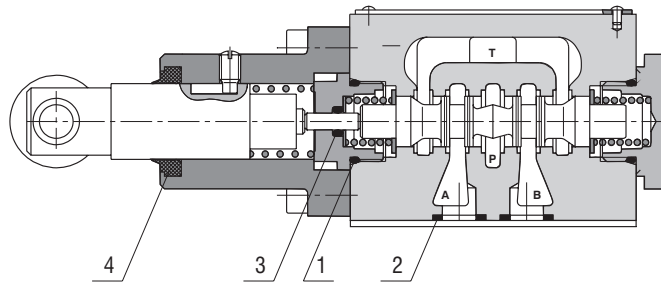


Position		RPH2-06											
1+2+3	Seal Kit	Pos.	O-ring	Pcs	Pos.	Ring	Pcs	Pos.	O-ring	Pcs	Ordering No.		
	NBR	1	22x2	2	2	Square ring 9.25x1.68	4	3	28x2	2	20980500		
	FPM		22x2	2		O-ring 9.25x1.78	4		28x2	2	20980600		
4	Bolt Kit	Pos.								Pcs	Ordering No.		
Mounting bolts for steel plates		4	Bolt M5x45						4	15845100			
Position		RPH3-06											
1+2	Seal Kit	Pos.	O-ring	Pcs	Pos.	Ring	Pcs						Ordering No.
	NBR	1	17x1.8	2	2	Square ring 9.25x1.68	4						15845200
	FPM		17.17x1.78	2		O-ring 9.25x1.78	4						15845400
4	Bolt Kit	Pos.								Pcs	Ordering No.		
Mounting bolts for steel plates		4	Bolt M5x45						4	15845100			
Bolts for flange		M5x16						Mounting bolts for flange are not available					
For studs see Datasheet Studs and Nuts_Dn04_06_10_0020													

Product (Datasheet): **RPK1-06 (4038)**

Valve size 06

- 1 - O-ring
- 2 - Square ring (NBR), O-ring (FPM)
- 3 - O-ring
- 4 - Wiper ring



Position		RPK1-06														
1+2+3+4	Seal Kit	Pos.	O-ring	Pcs	Pos.	Ring	Pcs	Pos.	O-ring	Pcs	Pos.	Wiper ring	Pcs	Ordering No.		
	NBR	1	17x1.8	2	2	Square ring 9.25x1.68	4	3	3.68x1.78	1	4	WSW 000180 ASW	1	20980900		
	FPM		17.17x1.78	2		O-ring 9.25x1.78	4		3.68x1.78	1			34524700			
5	Bolt Kit	Pos.	Mounting bolts for steel plates							Pcs						Ordering No.
		5	Bolt M5x45						4	for studs see Datasheet 0020				15845100		

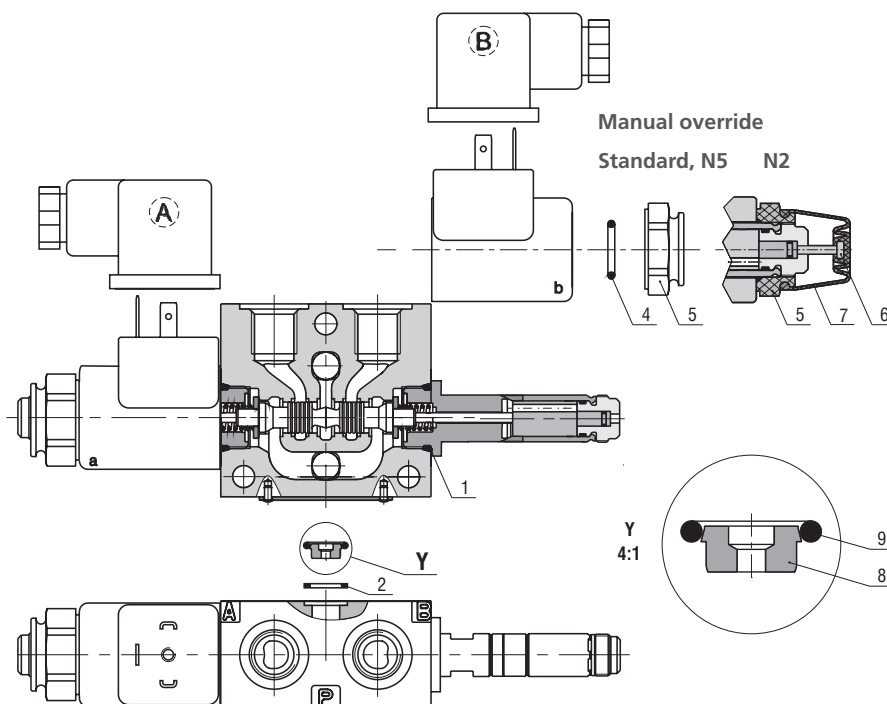
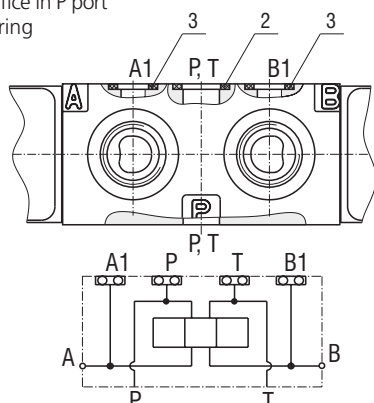
All dimensions are indicated in millimeters [mm].

1 Directional Control Valves and Poppet Valves

Product (Datasheet): **RPEK1-03 (4027)**

Valve size 03

- 1 - O-ring
- 2 - Square ring (NBR), O-ring (FPM)
- 3 - Square ring (NBR), O-ring (FPM)
- 4 - O-ring
- 5 - Retaining nut
- 6 - Actuating pin
- 7 - Rubber boot
- 8 - Orifice in P port
- 9 - O-ring



For solenoid coil see datasheet C_8007.
For electrical connector see datasheet K_8008.

Position	RPEK1-03*										
1+2+3	Seal Kit	Pos.	O-ring	Pcs	Pos.	Ring	Pcs	Pos.	Ring	Pcs	Ordering No.
Universal kit for all designations	NBR	1	16x2	2	2	Square ring 9.25x1.68	2	3	Square ring 7.65x1.68	2	28839800
	FPM	1	16x2	2	2	O-ring 9.25x1.78	2	3	O-ring 7.65x1.78	2	28840100
4+5	Nut Kit	Pos.	O-ring	Pcs	Pos.	Retaining nut	Pcs				
Standard, N5, N2	Standard, N5, N2	4	13x2	1	5	Plastic	1				
6+7	Kit	Pos.	Actuating pin	Pcs	Pos.	Rubber boot	Pcs				
	N2	6		1	7		1				
8+9	Kit	Pos.	Orifice in P port	Pcs	Pos.	O-ring NBR	Pcs				
Orifice in P port with NBR seal		8	Ø1.0	1	9	9.25x1.78	1	On request			
			Ø1.5	1							
			Ø2.0	1							
			Ø2.2	1							
			Ø2.5	1							
8+9	Kit	Pos.	Orifice in P port	Pcs	Pos.	O-ring FPM	Pcs				
Orifice in P port with FPM seal		8	Ø1.0	1	9	9.25x1.78	1	Ordering No.			
			Ø1.5	1							
			Ø2.0	1							
			Ø2.2	1							
			Ø2.5	1							

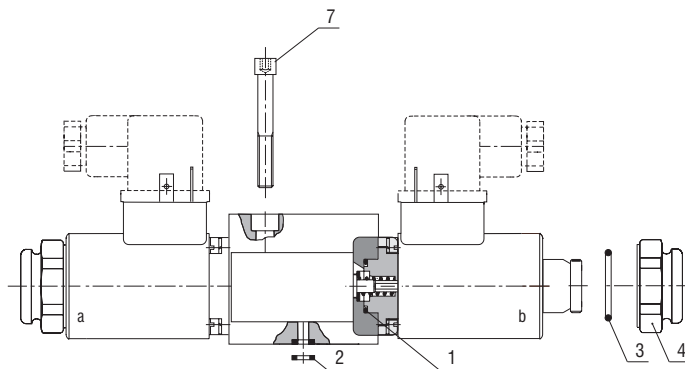
1 Directional Control Valves and Poppet Valves

Product (Datasheet): **RPE2-04 (4012)**

Valve size 04

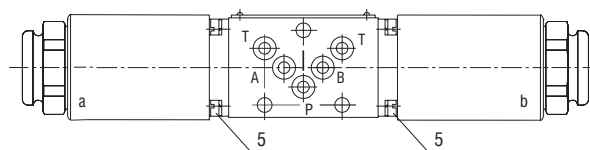
- 1 - O-ring
- 2 - Square ring (NBR)
- 3 - O-ring
- 4 - Retaining nut
- 5 - Bolts for moutange of flange
- 6 - Bolts for moutange of cover
- 7 - Mounting bolt

Valve with two solenoids
3-position valve



Mounting surface 2

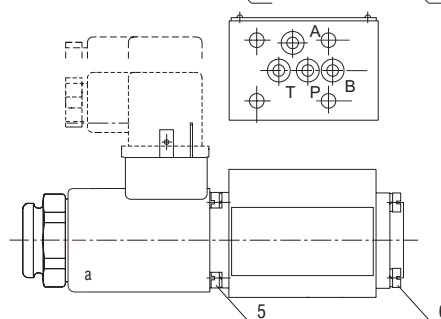
acc. to former CETOP-RP 121H



Mounting surface 3

acc. to former ISO 4401-AA-02-4-A

Valve with one solenoid
2-position valve



For solenoid coil see datasheet C_8007.
For electrical connector see datasheet K_8008.

Position	RPE2-04*2									
1+2	Seal Kit	Pos.	O-ring	Pcs	Pos.	Square ring	Pcs			Ordering No.
	NBR	1	15x1.8	2	2	5.28x1.68	5			20882100
	RPE2-04*3									
	Seal Kit	Pos.	O-ring	Pcs	Pos.	O-ring	Pcs			Ordering No.
	NBR	1	15x1.8	2	2	6x1.5	4			15669000
Position	RPE2-04*2, RPE2-04*3									
3+4	Nut Kit	Pos.	O-ring	Pcs	Pos.	Retaining nut	Pcs			Ordering No.
	Standard	3	18x1.5	1	4	Plastic	1			15874500
Position	3-position valve									
5+5	Bolt Kit	Pos.	Bolt	Pcs	Pos.	Bolt	Pcs	Pos.	Washer	Pcs
		5	M4x12	4	5	M4x12	4	-	D4.1	8
Position	2-position valve									
5+6	Bolt Kit	Pos.	Bolt	Pcs	Pos.	Bolt	Pcs	Pos.	Washer	Pcs
		5	M4x12	4	6	M4x10	4	-	D4.1	8
7	Bolt Kit	Pos.	Universal kit				Pcs			Ordering No.
Mounting bolts for steel plates Bolt M5x35		7	for Mounting surface 2 or 3				4	for studs see Datasheet 0020		15874600

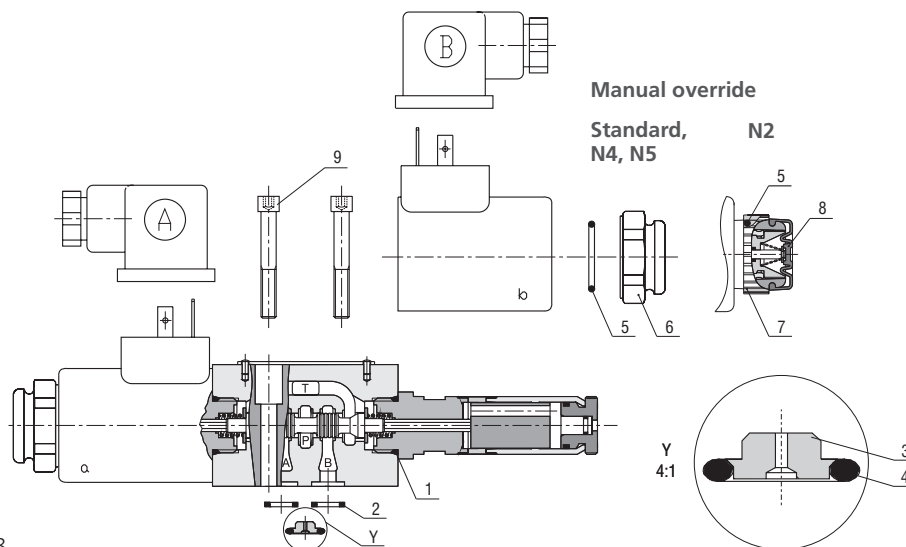
All dimensions are indicated in millimeters [mm].

1 Directional Control Valves and Poppet Valves

Product (Datasheet): **RPE3-04 (4014)**

Valve size 04

- 1 - O-ring
- 2 - Square ring (NBR), O-ring (FPM)
- 3 - Orifice in P port
- 4 - O-ring
- 5 - O-ring
- 6 - Retaining nut
- 7 - Retaining nut
- 8 - Rubber boot
- 9 - Mounting bolt



For solenoid coil see datasheet C_8007.
For electrical connector see datasheet K_8008.

Position	RPE3-04									
1+2	Seal Kit	Pos.	O-ring	Pcs	Pos.	Ring	Pcs	Ordering No.		
	NBR	1	16x2	2	2	Square ring 7.65x1.68	4	15873800		
	FPM		16x2	2		O-ring 7.5x1.8	4	15874400		
3+4	Kit	Pos.	Orifice in P port	Pcs	Pos.	O-ring NBR	Pcs	Ordering No.		
Orifice in P port with NBR seal		3	Ø0.8	1	4	7.65x1.78	1	15874000		
			Ø1.0	1				15874100		
			Ø1.2	1				15874200		
			Ø1.5	1				15874300		
			Ø0.7	1				15874900		
3+4	Kit	Pos.	Orifice in P port	Pcs		O-ring FPM	Pcs	Ordering No.		
Orifice in P port with FPM seal		3	Ø0.8	1	4	7.65x1.78	1	On request		
			Ø1.0	1						
			Ø1.2	1						
			Ø1.5	1						
			Ø0.7	1						
5+6	Nut Kit	Pos.	O-ring	Pcs	Pos.	Retaining nut	Pcs	Ordering No.		
		5	18x1.5	1	6	Plastic	1	15874500		
5+7+8	Nut Kit	Pos.	O-ring	Pcs	Pos.	Retaining nut	Pcs	Pos. Rubber boot	Pcs	Ordering No.
		5	18x1.5	1	7	Plastic	1	8	1	15874800
9	Bolt Kit	Pos.						Pcs	Ordering No.	
Mounting bolts for steel plates		9	Bolt M5x35	4	for studs see Datasheet 0020			15874600		

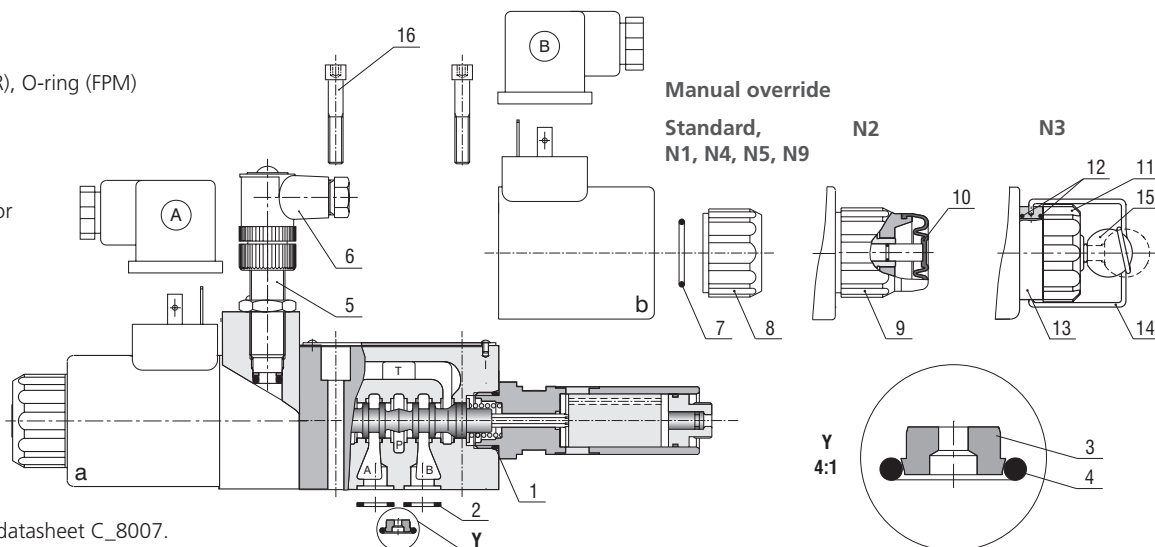
All dimensions are indicated in millimeters [mm].

1 Directional Control Valves and Poppet Valves

Product (Datasheet): **RPE3-06 (4010), RPEA3-06 (4029), RPEW4-06 (4035), RPER3-06 (4026)**

Valve size 06

- 1 - O-ring
- 2 - Square ring (NBR), O-ring (FPM)
- 3 - Orifice in P port
- 4 - O-ring
- 5 - Sensor
- 6 - Connector of position sensor with LED
- 7 - O-ring
- 8 - Retaining nut
- 9 - Retaining nut
- 10 - Rubber boot
- 11 - Nut
- 12 - O-ring
- 13 - Ring
- 14 - Bracket
- 15 - Ball
- 16 - Mounting bolt



For solenoid coil see datasheet C_8007.
For electrical connector see datasheet K_8008.

Position		RPE3-06, RPEA3-06, RPEW4-06, RPER3-06														
1+2	Seal Kit	Pos.	O-ring	Pcs	Pos.	Ring	Pcs	Ordering No.								
	NBR	1	17x1.8	2	2	Square ring 9.25x1.68	4	15845200								
	FPM		17.17x1.78	2		O-ring 9.25x1.78	4	15845400								
Position		RPE3-06, RPEA3-06, RPEW4-06														
3+4	Kit	Pos.	Orifice in P port	Pcs	Pos.	O-ring NBR	Pcs	Ordering No.								
								3	Ø1.0	1	4	9.25x1.78	1	On request		
									Ø1.5	1						
									Ø2.0	1						
									Ø2.2	1						
Ø2.5	1															
3+4	Kit	Pos.	Orifice in P port	Pcs	Pos.	O-ring FPM	Pcs	Ordering No.								
								3	Ø1.0	1	4	9.25x1.78	1	15845600		
									Ø1.5	1				15845700		
									Ø2.0	1				15845800		
									Ø2.2	1				15846000		
Ø2.5	1	15845900														
Position		RPE3-06														
5	Model				Pos.			Pcs	Max. input voltage	Ordering No.						
	Sensor	S1	normally-open sensor (50 bar)			5				16688500						
		S2	normally-open sensor (210 bar)							10...30 VDC		18838900				
		S4	normally-closed sensor (50 bar)									20725300				
6					Pos.			Pcs	Max. input voltage	Ordering No.						
Connector	K02	connector of position sensor with LED				6			1	10...30 VDC	17364800					
Position		RPER3-06														
7+8	Nut Kit		Pos.	O-ring	Pcs	Pos.	Retaining nut	Pcs	Ordering No.							
	Standard		7	22x2	1	8	Plastic	1	15844600							
Position		RPE3-06, RPEA3-06, RPEW4-06														
7+8	Nut Kit		Pos.	O-ring	Pcs	Pos.	Retaining nut	Pcs	Ordering No.							
	Standard, N4, N5, N9		7	22x2	1	8	Plastic	1	15844600							
	N1						Plastic	1	15844700							
7+9+10	Nut Kit		Pos.	O-ring	Pcs	Pos.	Retaining nut	Pcs	Pos.	Rubber boot	Pcs	Ordering No.				
	N2		7	22x2	1	9	Plastic	1	10		1	15844800				
11+12+13+14	Pos.	Retaining nut	Pcs	Pos.	O-ring	Pcs	Pos.	Ring	Pcs	Pos.	Bracket	Pcs	Ordering No.			
	Nut Kit	11	Plastic	1	12	22x2	2	13	Steel	1	14	Steel	1	15844900		
15	Pos.	Ball										Ordering No.				
	15	D16 M6, bakelite										20346700				
Position		RPE3-06, RPEA3-06, RPEW4-06, RPER3-06														
16	Bolt Kit										Pcs	Ordering No.				
	Mounting bolts for steel plates		16	Bolt M5x45								4	for studs see Datasheet 0020	15845100		

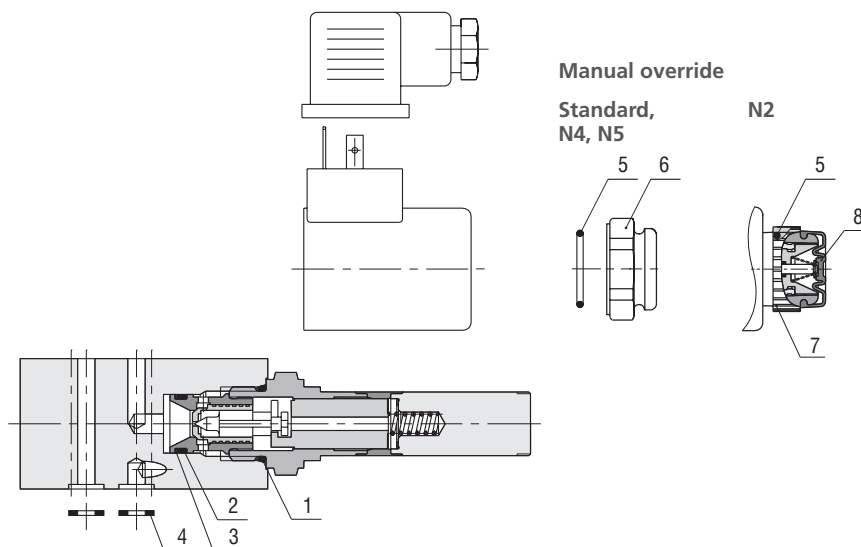
All dimensions are indicated in millimeters [mm].

1 Directional Control Valves and Poppet Valves

Product (Datasheet): **ROE3-042S5(S6)** (4055), **ROE3-062S2** (4022), **ROE3-042S5(S6)M** (4073), **ROE3-062S2M** (4072)

Valve size 04, 06

- 1 - O-ring
- 2 - O-ring
- 3 - Back-up ring
- 4 - Square ring (NBR), O-ring (FPM)
- 5 - O-ring
- 6 - Retaining nut
- 7 - Retaining nut
- 8 - Rubber boot



Position	ROE3-042S5(S6), ROE3-062S2, ROE3-042S5(S6)M, ROE3-062S2M											
1+2+3	Seal Kit	Pos.	O-ring	Pcs	Pos.	O-ring	Pcs	Pos.	Back-up ring	Pcs	Ordering No.	
	NBR	1	19.4x2.1	1	2	14x1.78	1	3	14.73x17.43x1.1	1	15650200	
	FPM		19.4x2.1	2		14x1.78	4		14.73x17.43x1.1	2	16954700	
Position	ROE3-042S5(S6)M, ROE3-062S2M											
4	Seal Kit	Pos.	Square ring	Pcs	Pos.	O-ring	Pcs				Ordering No.	
size 04	NBR	4	7.65x1.68	4	-						20718400	
size 06			9.25x1.68	4	-						15650300	
size 04	FPM	-	-	-	4	7.65x1.78	4				22502600	
size 06			-	-	-	4	9.25x1.78	4			22944700	
Position	ROE3-042S5(S6), ROE3-042S5(S6)M											
5+6	Nut Kit	Pos.	O-ring	Pcs	Pos.	Retaining nut	Pcs				Ordering No.	
	Standard, N4	5	18x1.5	1	6	Plastic	1				15874500	
5+7+8	Nut Kit	Pos.	O-ring	Pcs	Pos.	Retaining nut	Pcs	Pos.	Rubber boot	Pcs	Ordering No.	
	N2	5	18x1.5	1	7	Plastic	1	8		1	15874800	
Position	ROE3-062S2, ROE3-062S2M											
5+6	Nut Kit	Pos.	O-ring	Pcs	Pos.	Retaining nut	Pcs				Ordering No.	
	Standard, N5	5	18x1.5	1	6	Plastic	1				15874500	

All dimensions are indicated in millimeters [mm].

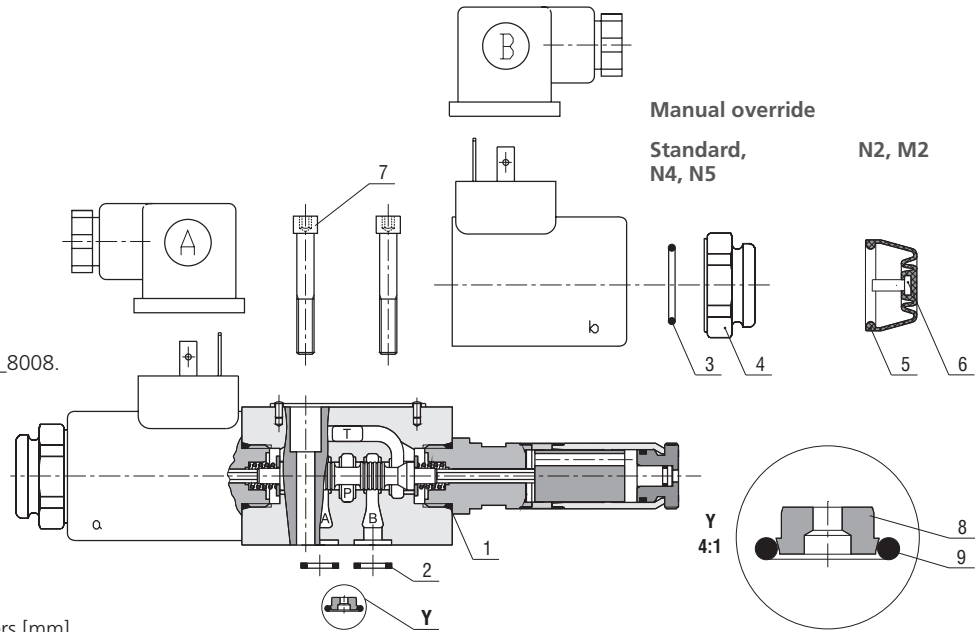
1 Directional Control Valves and Poppet Valves

Product (Datasheet): **RPEL1-04 (4037), RPEL1-06 (4056)**

Valve size 04, 06

- 1 - O-ring
- 2 - Square ring (NBR), O-ring (FPM)
- 3 - O-ring
- 4 - Retaining nut
- 5 - Rubber boot
- 6 - Actuating pin
- 7 - Mounting bolt
- 8 - Orifice in P port
- 9 - O-ring

For solenoid coil see datasheet C_8007.
For electrical connector see datasheet K_8008.



All dimensions are indicated in millimeters [mm].

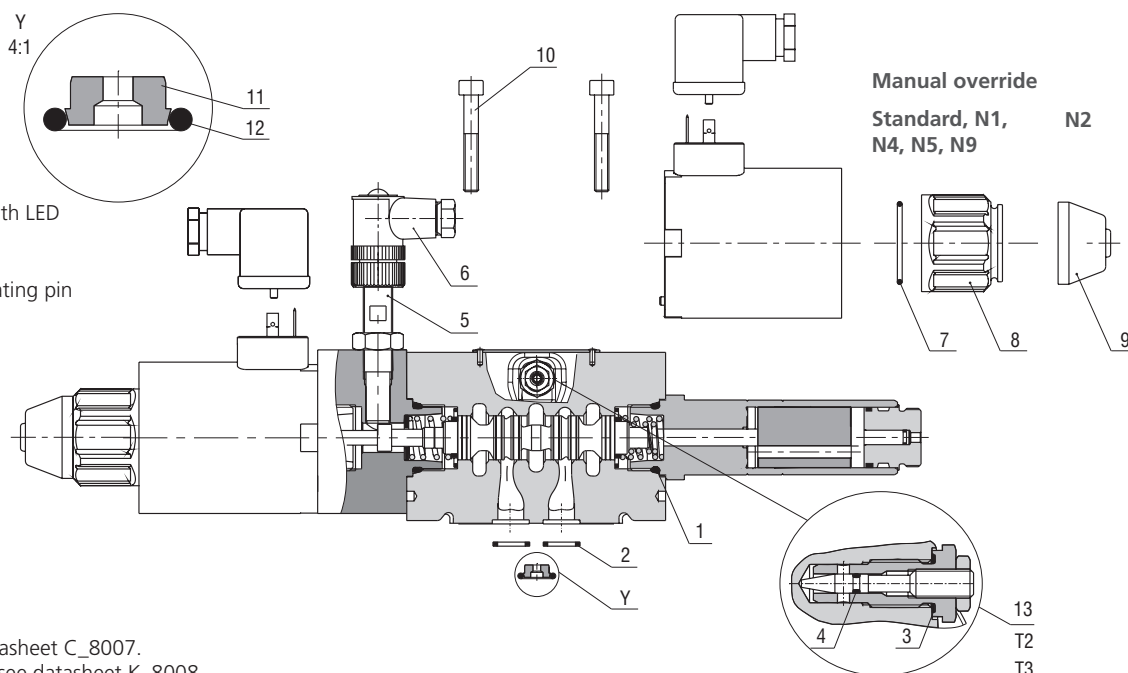
Position	RPEL1-04	Pos.	O-ring	Pcs	Pos.	Ring	Pcs	Ordering No.				
1+2	Seal Kit	1	16x2	2	2	Square ring 7.65x1.68	4	15873800				
	NBR		16x2	2		O-ring 7.5x1.8	4	15874400				
3+4	Nut Kit	3	13x2	1	4	Plastic	1	15691500				
	Standard, N5											
5+6	Kit	5	Rubber boot	1	6	Actuating pin	1	29269100				
	N2											
7	Bolt Kit	Pos.	Bolt				Pcs	Ordering No.				
Mounting bolts for steel plates		7	Bolt M5x35 DIN 912-10.9				4	15874600				
8+9	Kit	8	Orifice in P port	Pcs	9	7.65x1.78	Pcs	Ordering No.				
Orifice in P port with NBR seal			Ø0.8	1			15874000					
			Ø1.0	1			15874100					
			Ø1.2	1			15874200					
			Ø1.5	1			15874300					
		Ø0.7	1	15874900								
8+9	Kit	8	Orifice in P port	Pcs	9	7.65x1.78	1	Ordering No.				
												On request
Position	RPEL1-06	Pos.	O-ring	Pcs	Pos.	Ring	Pcs	Ordering No.				
1+2	Seal Kit	1	17x1.8	2	2	Square ring 9.25x1.68	4	15845200				
	NBR		17.17x1.78	2		O-ring 9.25x1.78	4	15845400				
3+4	Nut Kit	3	18x1.5	1	4	Plastic	1	15874500				
	Standard											
5+6	Kit	5	Rubber boot	1	6	Actuating pin	1	24142800				
	M2											
7	Bolt Kit	Pos.	Bolt				Pcs	Ordering No.				
Mounting bolts for steel plates		7	Bolt M5x45				4	15845100				
8+9	Kit	8	Orifice in P port	Pcs	9	9.25x1.78	Pcs	Ordering No.				
Orifice in P port with NBR seal			Ø1.0	1			On request					
			Ø1.5	1								
			Ø2.0	1								
			Ø2.2	1								
		Ø2.5	1									
8+9	Kit	8	Orifice in P port	Pcs	9	9.25x1.78	1	Ordering No.				
												15845600
				15845700								
				15845800								
				15846000								
				15845900								

1 Directional Control Valves and Poppet Valves

Product (Datasheet): **RPE4-10 (4039), RPEW4-10 (4044)**

Valve size 10

- 1 - O-ring
- 2 - Square ring
- 3 - Seal
- 4 - Seal
- 5 - Sensor
- 6 - Connector of position sensor with LED
- 7 - O-ring
- 8 - Retaining nut
- 9 - Rubber boot + Actuating pin
- 10 - Mounting bolt
- 11 - Orifice in P port
- 12 - O-ring
- 13 - Soft-shift spool speed control with seal



For solenoid coil see datasheet C_8007.
For electrical connector see datasheet K_8008.

Position	RPE4-10, RPEW4-10														
1+2+3+4	Seal Kit	Pos.	O-ring	Pcs	Pos.	Square ring	Pcs	Pos.	Seal for T2, T3	Pcs	Pos.	O-ring for T3	Pcs	Ordering No.	
	NBR	1	23.81x2.62	2	2	12.42x1.68	5	3	10x1	1	4	1.8x1	1	15901000	
	FPM		23.47x2.62	2		12.42x1.68	5		10x1	1		1.8x1	1	15901100	
Position	RPE4-10														
5	Sensor - model	Pos.								Pcs	Max. input voltage	Ordering No.			
	S1	5	normally-open sensor (50 bar)							1	10...30 VDC	16688500			
	S2		normally-open sensor (210 bar)									18838900			
	S4		normally-closed sensor (50 bar)									20725300			
Position	RPE4-10, RPEW4-10														
6	Connector	Pos.								Pcs	Max. input voltage	Ordering No.			
	K02	6	connector of position sensor with LED							1	10...30 VDC	17364800			
7+8	Nut Kit	Pos.	O-ring	Pcs	Pos.	Retaining nut	Pcs								
	Standard, N1, N2, N4, N5, N9	7	30x2	1	8	Plastic	1								
9	Kit	Pos.								Pcs	Ordering No.				
	N2	9	Rubber boot + Actuating pin							1	15900900				
10	Bolt Kit	Pos.								Pcs	Ordering No.				
	Mounting bolts for steel plates	10	Bolt M6x40		4		for studs see Datasheet 0020			15847700					
11+12	Kit	Pos.	Orifice in P port	Pcs	Pos.	O-ring NBR	Pcs	Ordering No.							
Orifice in P port with NBR seal	11	12	Ø0.5	1	12	12.42x1.78	1	21666000							
			Ø1.2	1				15848400							
			Ø1.5	1				15848700							
			Ø2.0	1				17451200							
			Ø2.5	1				15848500							
			Ø3.5	1				16656400							
Ø4.0	1	15848600													
11+12	Kit	Pos.	Orifice in P port	Pcs	Pos.	O-ring FPM	Pcs	Ordering No.							
Orifice in P port with FPM seal	11	12	Ø0.5	1	12	12.42x1.78	1	On request							
			Ø1.2	1											
			Ø1.5	1											
			Ø2.0	1											
			Ø2.5	1											
			Ø3.5	1											
Ø4.0	1														
13	Kit	Pos.	Soft shift with seal				Pcs	Ordering No.							
Soft shift	T2	13	orifice Ø0.6 mm (0.02 inch) in T line bridge				1	15901200							
	T3		adjustable needle valve in T line bridge				1	15901300							

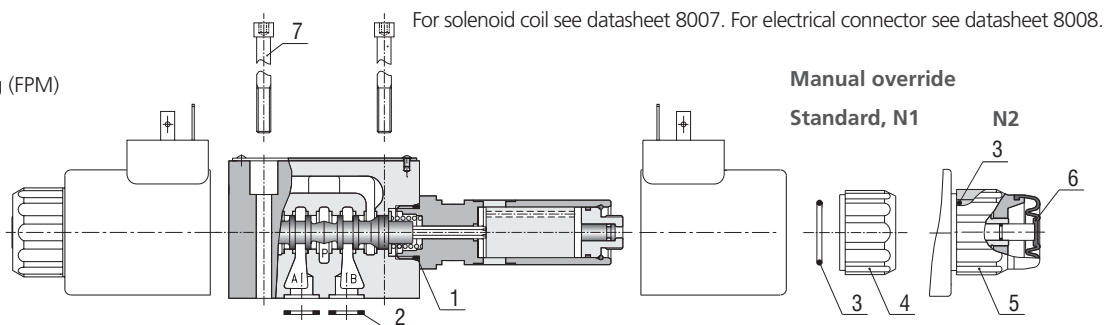
All dimensions are indicated in millimeters [mm].

1 Directional Control Valves and Poppet Valves

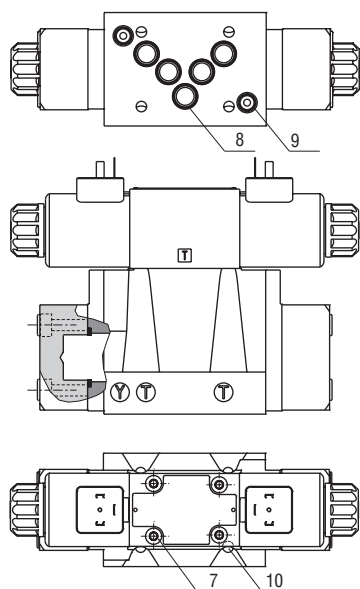
Product (Datasheet): **RNEH1-10 (4075), RNEH5-16 (4023), RNEH4-25 (4024)**

RPE3-06

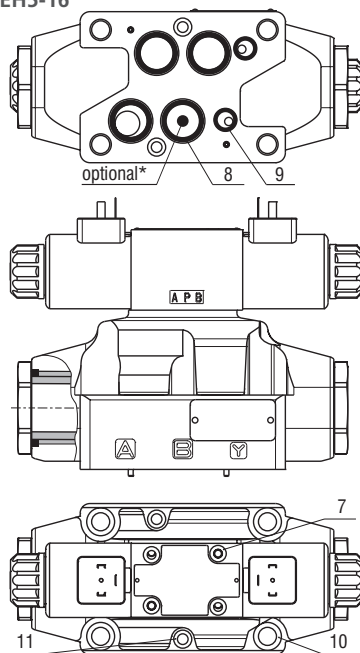
- 1 - O-ring
- 2 - Square ring (NBR), O-ring (FPM)
- 3 - O-ring
- 4 - Retaining nut
- 5 - Retaining nut
- 6 - Rubber boot + Actuating pin
- 7 - Mounting bolt
- 8 - 9 Seal
- 10 - 11 Bolts



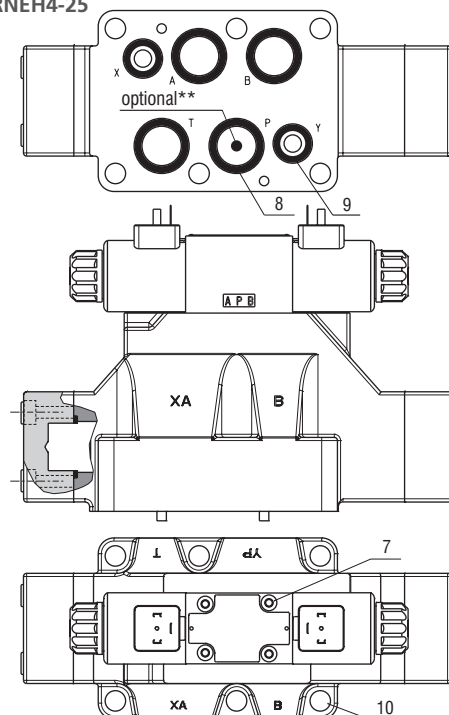
RNEH1-10



RNEH5-16



RNEH4-25



All dimensions are indicated in millimeters [mm].

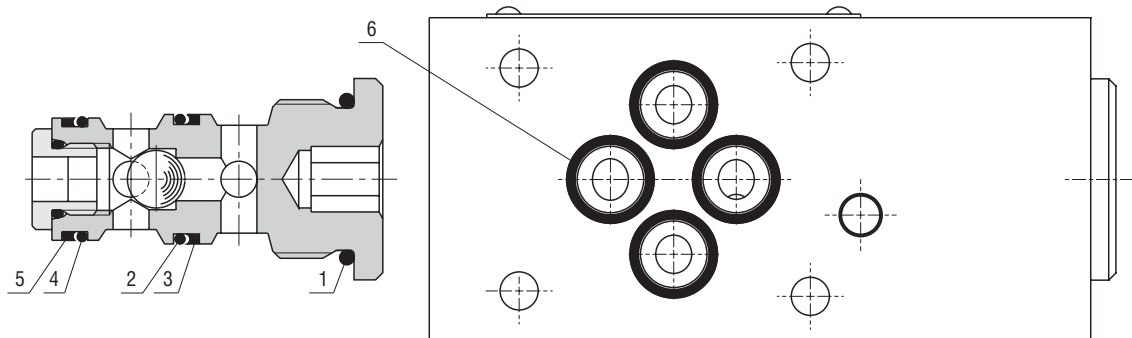
Position	RPE3-06	Pos.	O-ring	Pcs	Pos.	Ring	Pcs	Ordering No.
1+2	Seal Kit	1	O-ring	2	2	Square ring 9.25x1.68	4	15845200
	NBR		17x1.8	2	O-ring 9.25x1.78	4	15845400	
3+4	Nut Kit	3	O-ring	1	4	Plastic	1	15844600
	Standard N1		22x2	1	4	Plastic	1	15844700
3+5+6	Nut Kit	3	O-ring	1	5	Plastic	1	15844800
	N2		22x2	1	6	Rubber boot	1	15844800
7	Bolt Kit	7	Bolt M5x45	4			Ordering No.	
Mounting bolts for steel plates 7 Bolt M5x45 4 for studs see Datasheet 0020 15845100								
Position	RNEH1-10	Pos.	O-ring	Pcs	Pos.	O-ring	Pcs	Ordering No.
8+9	Seal Kit	8	O-ring	5	9	9.25x1.78	2	40075900
	NBR		12.42x1.78	5	-	2	On request	
10	Bolts	10	Bolt M6x35	4			Ordering No.	
Mounting bolts 10 Bolt M6x35 4 Mounting bolts for steel plates are not available								
Position	RNEH5-16	Pos.	O-ring	Pcs	Pos.	O-ring	Pcs	Ordering No.
8+9	Seal Kit	8	O-ring	4	9	10.82x1.78	2	40076000
	NBR		22.22x2.62	4	-	2	On request	
10+11	Bolts	10	Bolt M10x60	4	11	Bolt M6x50	2	Ordering No.
Mounting bolts 10 Bolt M10x60 4 11 Bolt M6x50 2 Mounting bolts for steel plates are not available								
Position	RNEH4-25	Pos.	O-ring	Pcs	Pos.	O-ring	Pcs	Ordering No.
8+9	Seal Kit	8	O-ring	4	9	20.29x2.62	2	40076200
	NBR		29.82x2.62	4	-	2	On request	
10	Bolts	10	Bolt M12x60	6			Ordering No.	
Mounting bolts 10 Bolt M12x60 6 Mounting bolts for steel plates are not available 31950200								
*Optional Backpressure Check valve C3 31950200								
**Optional Backpressure Check valve C3 On request								

2 Check Valves

Product (Datasheet): **LV1-043** (5008), **LV2-043** (5028), **LV1-063/S** (5015), **LV1-063/M** (5030)

Valve size 04, 06

- 1 - O-ring
- 2 - O-ring
- 3 - Back-up ring
- 4 - O-ring
- 5 - Back-up ring
- 6 - Square ring (NBR),
O-ring (FPM)



Pos.	LV1-043																
2+3	Seal Kit				Pos.	O-ring	Pcs	Pos.	Back-up ring (PT)	Pcs			Ordering No.				
	NBR				2	6x1	1	3	8.5x6.8x1	1			40110200				
	FPM					6x1	1		8.5x6.8x1	1			16755700				
Pos.	LV2-043																
2-5	Seal Kit				Pos.	O-ring	Pcs	Pos.	Back-up ring (PT)	Pcs	Pos.	O-ring	Pcs	Pos.	Back-up ring (PT)	Pcs	Ordering No.
	NBR				2	6.07x1.78	1	3	6.6x9.5x1.4	1	4	6x1.5	1	5	6x8.5x1	1	30708000
	FPM					6.07x1.78	1		6.6x9.5x1.4	1		6x1.5	1		6x8.5x1	1	30707900
Pos.	LV1-063/S, LV1-063/M																
1-5	Seal Kit	Pos.	O-ring	Pcs	Pos.	O-ring	Pcs	Pos.	Back-up ring (PT)	Pcs				Ordering No.			
	NBR	1	19.4x2.1	1	2,4	14x1.78	2	3,5	14.73x17.43x1.1	2				22752700			
	FPM		19.4x2.1	1		14x1.78	2		14.73x17.43x1.1	2				31920800			
Pos.	LV1-063/M																
6	Seal Kit										Pos.	Ring	Pcs	Ordering No.			
	NBR										6	Square ring 9.25x1.68	4	28551800			
	FPM											O-ring 9.25x1.78	4	28551900			

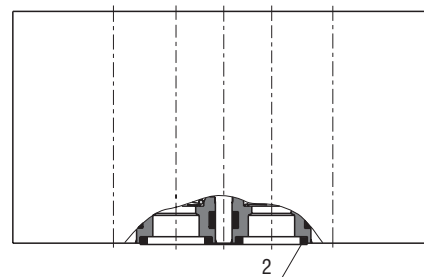
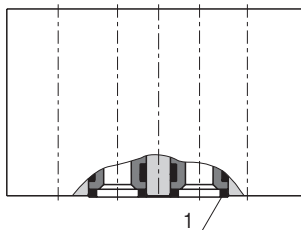
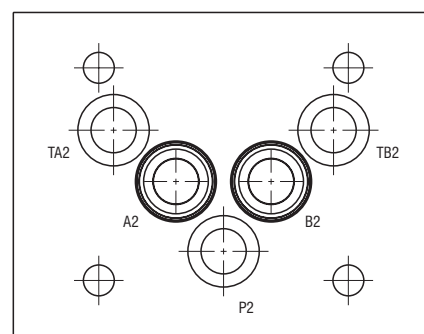
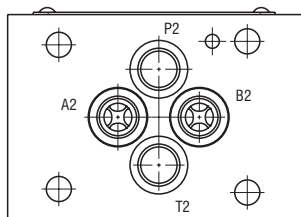
Product (Datasheet): **MVJ3-06** (5018), **MVJ3-10** (5020)

Valve size 06, 10

- 1 - Square ring (NBR), O-ring (FPM)
- 2 - Square ring

Valve size 06

Valve size 10



Position	MVJ3-06				
1	Seal Kit	Pos.	Ring	Pcs	Ordering No.
	NBR	1	Square ring 9.25x1.68	4	28551800
	FPM		O-ring 9.25x1.78	4	28551900
Position	MVJ3-10				
2	Seal Kit	Pos.	Square ring	Pcs	Ordering No.
	NBR	4	12.42x1.68	5	15991600
	FPM		12.42x1.68	5	40066700

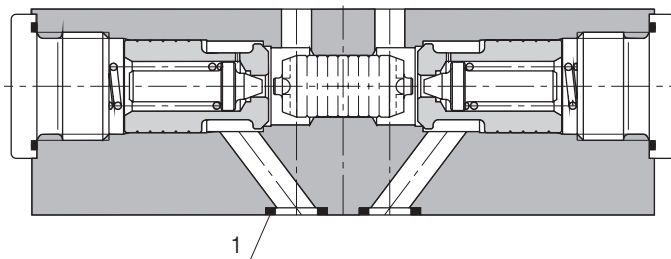
All dimensions are indicated in millimeters [mm].

2 Check Valves

Product (Datasheet): **VJR1-04/M (5023), VJR2-06/M (5024), 2RJV1-06/M (5021), VJR2-10/M (5025)**

Valve size 04, 06, 10

1 - Square ring (NBR), O-ring (FPM)

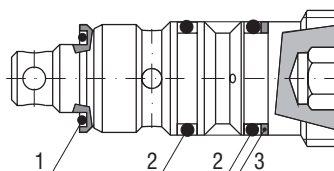


Position	VJR1-04/M									
1	Seal Kit	Pos.	Ring	Pcs						Ordering No.
	NBR	1	Square ring 7.65x1.68	4						20718400
	FPM		O-ring 7.65x1.78	4						22502600
Position	VJR2-06/M, 2RJV1-06/M									
1	Seal Kit	Pos.	Ring	Pcs						Ordering No.
	NBR	1	Square ring 9.25x1.68	4						15991700
	FPM		O-ring 9.25x1.78	4						22944700
Position	VJR2-10/M									
1	Seal Kit	Pos.	Square ring	Pcs						Ordering No.
	NBR	1	12.42x1.68	5						15991600
	FPM		12.42x1.68	5						40066700

Product (Datasheet): **RJV1-05 (5111)**

Valve size 05

1 - O-ring
2 - O-ring
3 - Back-up ring



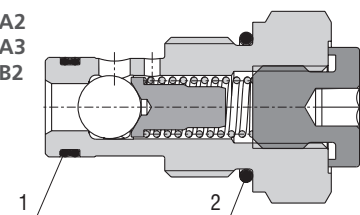
Position	RJV1-05										
1+2+3	Seal Kit	Pos.	O-ring	Pcs	Pos.	O-ring	Pcs	Pos.	Back-up ring	Pcs	Ordering No.
	NBR	1	12.42x1.78	1	2	15.08x2.62	2	3	14.66x19.02x1.14 (NBR)	1	15969700
	FPM		12.42x1.78	1		15.54x2.62	2		14.66x19.02x1.14 (PT)	1	22806000

Product (Datasheet): **SC1F-A2 (5010), SC1F-A3 (5016), SC1F-B2 (5017), SH1F-A3 (5029)**

Cavity A2, A3, B2

1 - O-ring
2 - Dualseal

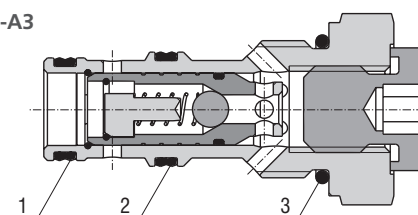
SC1F-A2
SC1F-A3
SC1F-B2



Cavity A3

1 - Dualseal
2 - Dualseal
3 - O-ring

SH1F-A3



Position	SC1F-A2										
1+2	Seal Kit	Pos.	Dualseal SSA	Pcs	Pos.	O-ring NBR	Pcs	Pos.	O-ring - FPM	Pcs	Ordering No.
	NBR	1	10.3x12.7x3.1	1	2	17x1.8	1	-	-	-	20776700
	FPM		10.3x12.7x3.1	1		-	-	-	2	17.17x1.78	1
Position	SC1F-A3										
1+2	Seal Kit	Pos.	Dualseal SSA	Pcs	Pos.	O-ring NBR	Pcs	Pos.	O-ring - FPM	Pcs	Ordering No.
	NBR	1	11.87x14.27x3.1	1	2	17x1.8	1	-	-	-	15661700
	FPM		11.87x14.27x3.1	1		-	-	-	2	17.17x1.78	1
Position	SC1F-B2										
1+2	Seal Kit	Pos.	Dualseal SSA	Pcs	Pos.	O-ring NBR	Pcs	Pos.	O-ring - FPM	Pcs	Ordering No.
	NBR	1	13.47x15.87x3.1	1	2	19.4x2.1	1	-	-	-	18960400
	FPM		13.47x15.87x3.1	1		-	-	-	2	19.4x2.1	1
Position	SH1F-A3										
1+2+3	Seal Kit	Pos.	Dualseal SSA	Pcs	Pos.	Dualseal SSA	Pcs	Pos.	O-ring	Pcs	Ordering No.
	NBR	1	11.87x14.27x3.1	1	2	13.47x15.87x3.1	1	3	17x1.8 (NBR)	1	15661700
	FPM		11.87x14.27x3.1	1		13.47x15.87x3.1	1		17.17x1.78 (FPM)	1	20777200

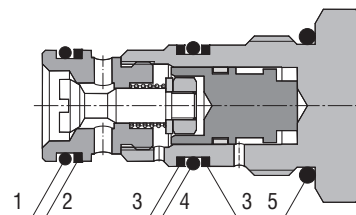
All dimensions are indicated in millimeters [mm].

2 Check Valves

Product (Datasheet): [SC5H-Q3/I \(5217\)](#), [SC5H-R3/I \(5218\)](#), [SC5H-S3/I \(5220\)](#), [SCD5H-R3/I \(5219\)](#)

Cavity Q3, R3, S3

- 1 - O-ring
- 2 - Back-up ring
- 3 - Back-up ring
- 4 - O-ring
- 5 - O-ring

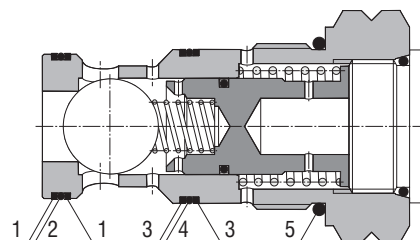


Position	SC5H-Q3/I, SC5H-R3/I, SC5H-S3/I																
1+2+3+4+5	Seal Kit	Pos.	O-ring	Pcs	Pos.	Back-up ring	Pcs	Pos.	Back-up ring	Pcs	Pos.	O-ring	Pcs	Pos.	O-ring	Pcs	Ordering No.
		1		1	2		1	3		2	4		1	5		1	On request

Product (Datasheet): [SCC5H-Q3/I \(5221\)](#), [SCC5H-S3/I \(5222\)](#)

Cavity Q3, S3

- 1 - Dualseal
- 2 - O-ring
- 3 - Dualseal
- 4 - O-ring
- 5 - O-ring

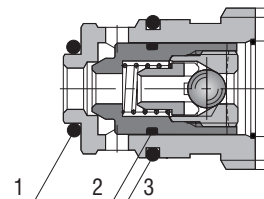


Position	SCC5H-Q3/I, SCC5H-S3/I																
1+2+3+4+5	Seal Kit	Pos.	Back-up ring	Pcs	Pos.	O-ring	Pcs	Pos.	Back-up ring	Pcs	Pos.	O-ring	Pcs	Pos.	O-ring	Pcs	Ordering No.
		1		2	2		1	3		2	4		1	5		1	On request

Product (Datasheet): [VJL2-304 \(5007\)](#)

Cavity Q3, S3

- 1 - O-ring
- 2 - O-ring
- 3 - O-ring

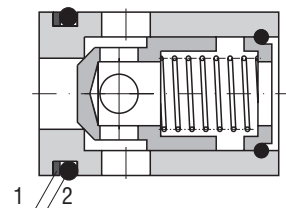


Position	VJL2-304																
1+2+3	Seal Kit	Pos.	O-ring	Pcs	Pos.	O-ring	Pcs	Pos.	O-ring	Pcs	Pos.	O-ring	Pcs	Pos.	O-ring	Pcs	Ordering No.
	NBR	1	9x1.8	1	2	10x1	1	3	14x1.78	1		14x1.78	1		14x1.78	1	22737500
	FPM		9.25x1.78	1		10x1	1		14x1.78	1		22737600					

Product (Datasheet): [VJ3 \(5009\)](#), [VJS3 \(5019\)](#)

Valve size 06, 10, 16, 20 Model 02, 03

- 1 - Back-up ring
- 2 - O-ring

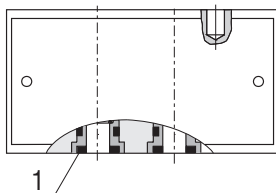
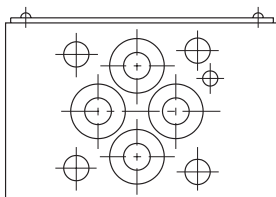


Position	VJ3, VJS3															
1+2	Seal Kit	Pos.	Back-up ring	Pcs	Pos.	O-ring	Pcs									Ordering No.
06	NBR	1	14.66x19.02x1.14	1	2	15.08x2.62	1									22701100
10			19.43x23.79x1.14			20x2.65										15954600
16			8.98x34.98x1.02			28x3.55										15954700
20			33.88x39.88x1.02			32.92x3.53										22701400

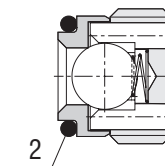
All dimensions are indicated in millimeters [mm].

2 Check Valves

 Product (Datasheet): **VJO1-04/M (5012), VJO1-06/S (5004), VJO1-10/S (5307)**
Valve size 04
VJO1-04/M

 1 - Square ring (NBR),
 O-ring (FPM)

Valve size 06, 10

2 - O-ring

VJO1-06/S
VJO1-10/S


Position	VJO1-04/M				
1	Seal Kit		Pos.	Ring	Pcs Ordering No.
	NBR		1	Square ring 6.07x1.68	4 15946100
	FPM			O-ring 6.07x1.78	4 22662600
Position	VJO1-06/S				
2	Seal Kit		Pos.	O-ring	Pcs Ordering No.
	NBR	VJO1-06/S*-1	2	8x1.5	1 16755400
		VJO1-06/S*-2		9x1	1 15949700
	FPM	VJO1-06/S*-1		8x1.5	1 16969800
		VJO1-06/S*-2		9x1	1 15949800
Position	VJO1-10/S				
2	Seal Kit		Pos.	O-ring	Pcs Ordering No.
	NBR		2	11.4x2.1	1 20141900
	FPM			11.4x2.1	1 On request

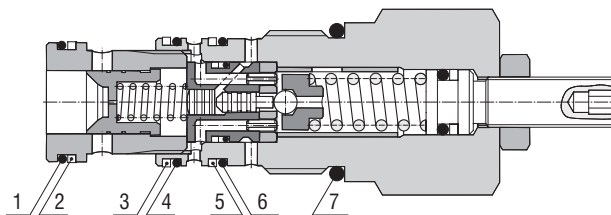
All dimensions are indicated in millimeters [mm].

3 Pressure Control Valves

Product (Datasheet): **SU6A-U3/I** (5224), **SUD6A-V4/I** (5225), **SUD6A-U4/I** (5226)

Cavity U3, V4, U4

- 1 - O-ring
- 2 - Back-up ring
- 3 - Back-up ring
- 4 - O-ring
- 5 - Back-up ring
- 6 - O-ring
- 7 - O-ring



Position	SU6A-U3/I								
1+2+5+6+7	Seal Kit	Pos.	O-ring	Pcs	Pos.	Back-up ring	Pcs	Ordering No.	
		1, 6, 7		3	2, 5		2	On request	
Position	SUD6A-V4/I, SUD6A-U4/I								
1+2+3+4+5+6+7	Seal Kit	Pos.	O-ring	Pcs	Pos.	Back-up ring	Pcs	Ordering No.	
		1, 4, 6, 7		4	2, 3, 5		3	On request	

Product (Datasheet): **VPP2-04/S** (5093), **VPP2-04/M(R)** (5094)

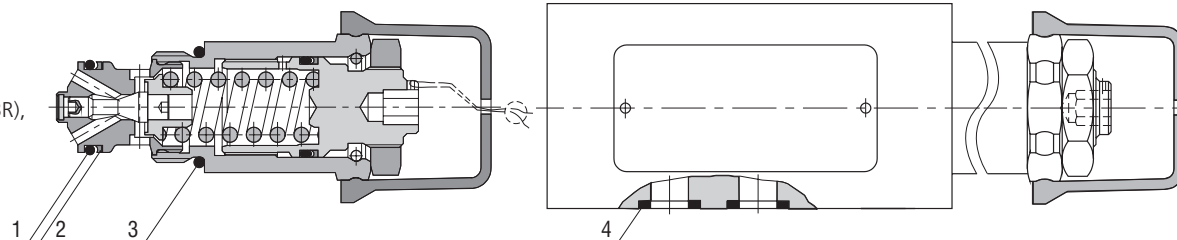
Valve size 04

VPP2-04/S, VPP2-04/M(R)

Modular plate size 04, 06

VPP2-04/M(R)

- 1 - O-ring
- 2 - Back-up ring
- 3 - O-ring
- 4 - Square ring (NBR), O-ring (FPM)



Pos.	VPP2-04/S, VPP2-04/M(R)										
1+2+3	Seal Kit	Pos.	O-ring	Pcs	Pos.	Back-up ring	Pcs	Pos.	O-ring	Pcs	Ordering No.
	NBR	1	14x1.78	1	2	14.73x17.43x1.14	1	3	19.4x2.1	1	22752700
	FPM		14x1.78	1		14.73x17.43x1.14	1		19.4x2.1	1	31920800
Pos.	VPP2-04/M(R)*04										
4	Seal Kit							Pos.	Ring	Pcs	Ordering No.
	NBR							4	Square ring 7.65x1.68	4	20718400
	FPM								O-ring 7.65x1.78	4	22502600
Pos.	VPP2-04/M(R)*06										
4	Seal Kit							Pos.	Ring	Pcs	Ordering No.
	NBR							4	Square ring 9.25x1.68	4	15991700
	FPM								O-ring 9.25x1.78	4	22944700

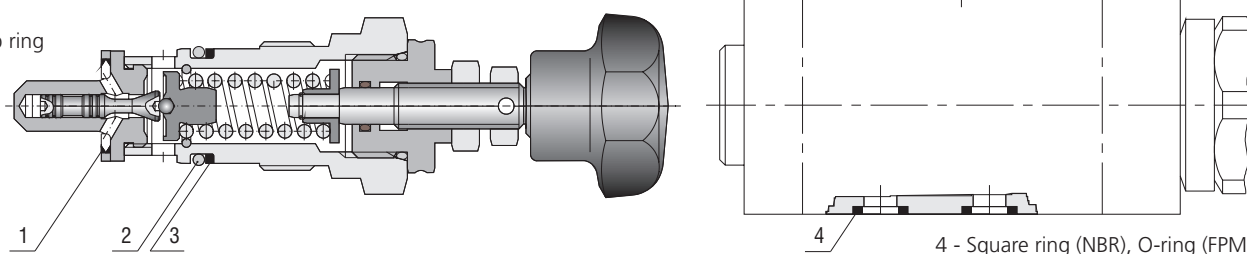
Product (Datasheet): **VPP2-06** (5062), **VPP2-06-SV/xx-CE1017** (5066)

Valve size 06

VPP2-06

VPP2-06*P

- 1 - U-seal
- 2 - O-ring
- 3 - Back-up ring



Pos.	VPP2-06, VPP2-06-SV/xx-CE1017										
1+2+3	Seal Kit	Pos.	U-seal	Pcs	Pos.	O-ring	Pcs	Pos.	Back-up ring	Pcs	Ordering No.
	NBR	1	17.4x24x1.5	1	2	20x2.65	1	3	19.43x23.79x1.14	1	16757100
	FPM		17.4x24x1.5	1		20.29x2.62	1		19.43x23.79x1.14	1	40112100
Pos.	VPP2-06*P										
4	Seal Kit							Pos.	Ring	Pcs	Ordering No.
	NBR							4	Square ring 9.25x1.68	2	28551800
	FPM								O-ring 9.25x1.78	2	28551900

All dimensions are indicated in millimeters [mm].

3 Pressure Control Valves

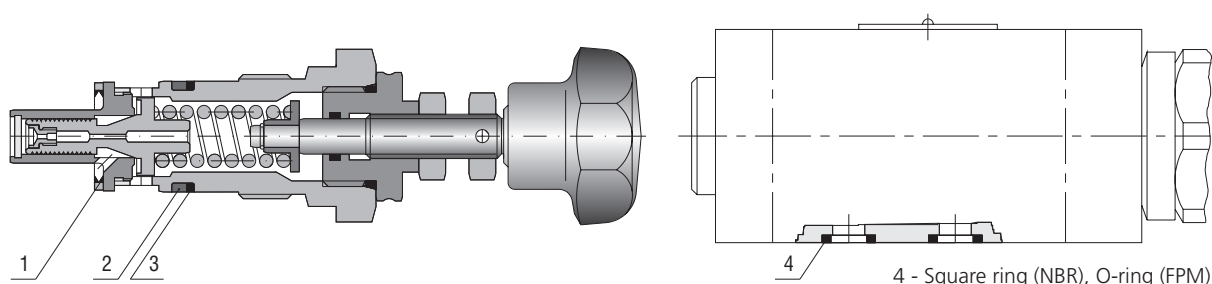
Product (Datasheet): **VPP1-06(08,10)** (5061)

Valve size 06, 08, 10

VPP1-06(08,10)

VPP1-06*P

- 1 - U-seal
- 2 - O-ring
- 3 - Back-up ring

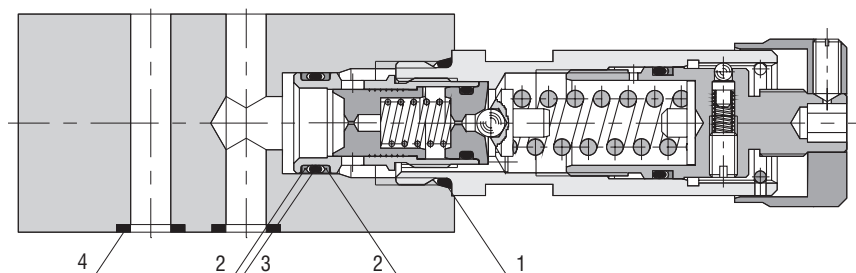


Pos. VPP1-06											
1+2+3	Seal Kit	Pos.	U-seal	Pcs	Pos.	O-ring	Pcs	Pos.	Back-up ring	Pcs	Ordering No.
	NBR	1	17.4x24x1.5	1	2	20x2.65	1	3	19.43x23.79x1.14	1	16757100
	FPM		17.4x24x1.5	1		20.29x2.62	1		19.43x23.79x1.14	1	40112100
Pos. VPP1-08, 10											
1+2+3	Seal Kit	Pos.	U-seal	Pcs	Pos.	O-ring	Pcs	Pos.	Back-up ring	Pcs	Ordering No.
	NBR	1	24.7x32x2	1	2	26.64x2.62	1	3	27.46x31.82x1.1	1	15972200
	FPM		24.7x32x2	1		26.64x2.62	1		27.46x31.82x1.1	1	15972000
Pos. VPP1-06*P											
4	Seal Kit							Pos.	Ring	Pcs	Ordering No.
	NBR							4	Square ring 9.25x1.68	2	28551800
	FPM								O-ring 9.25x1.78	2	28551900
Pos. VPP1-10*P											
4	Seal Kit							Pos.	Square ring	Pcs	Ordering No.
	NBR							4	12.42x1.68	2	15991600
	FPM								12.42x1.68	2	40066700

Product (Datasheet): **VPN1-06/S** (5161), **VPN1-06/M(R)** (5160)

Valve size 06

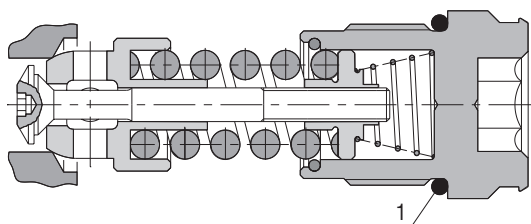
- 1 - O-ring
- 2 - Back-up ring
- 3 - O-ring
- 4 - Square ring (NBR), O-ring (FPM)



Pos. VPN1-06											
1+2+3	Seal Kit	Pos.	O-ring	Pcs	Pos.	Back-up ring	Pcs	Pos.	O-ring	Pcs	Ordering No.
	NBR	1	19.4x2.1	1	2	14.73x17.43x1.14	2	3	14x1.78	1	22752700
	FPM		19.4x2.1	1		14.73x17.43x1.14	2		14x1.78	1	31920800
Pos. VPN1-06/M(R)											
4	Seal Kit							Pos.	Ring	Pcs	Ordering No.
	NBR							4	Square ring 9.25x1.68	4	15991700
	FPM								O-ring 9.25x1.78	4	22944700

Product (Datasheet): **DBV3** (5092)

- 1 - O-ring



Position DBV3						
1	Seal		Pos.	O-ring	Pcs	Ordering No.
	NBR		1	21.95x1.78	1	20146100
	FPM			21.95x1.78	1	30349500

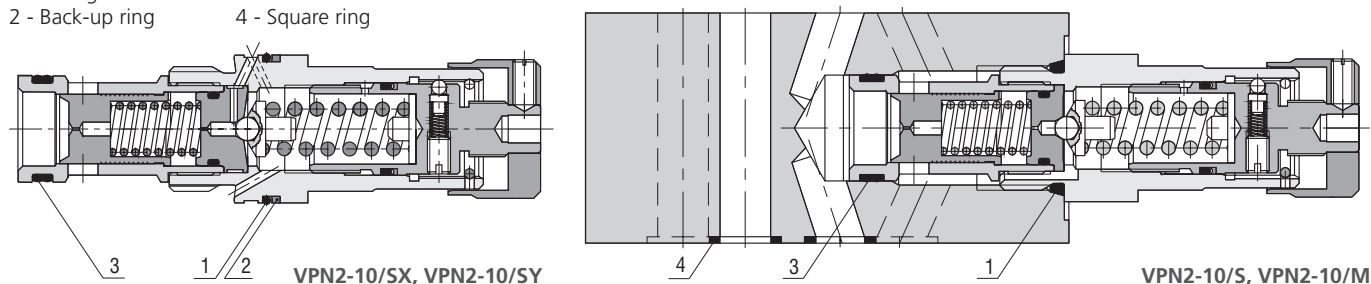
All dimensions are indicated in millimeters [mm].

3 Pressure Control Valves

Product (Datasheet): **VPN2-10/S (5163), VPN2-10/M(R) (5164)**

Valve size 10

- 1 - O-ring
- 2 - Back-up ring
- 3 - Dualseal
- 4 - Square ring

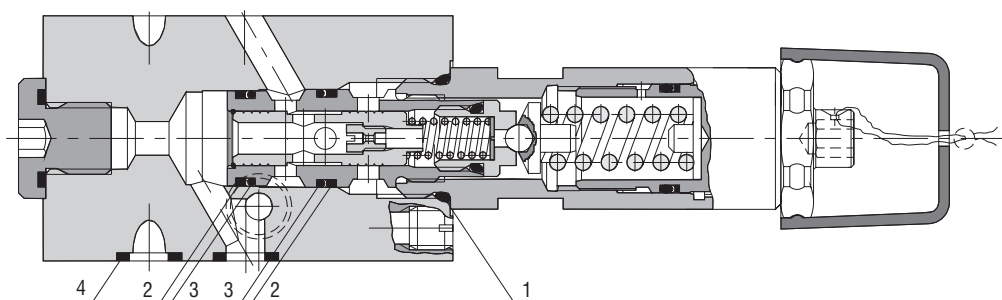


Pos.		VPN2-10/S		Pos.		Dualseal SSA		Pcs	Ordering No.
1+3	Seal Kit	Pos.	O-ring	Pcs		Pos.	19.6x23x4.4	1	15991500
	NBR	1	23.47x2.95	1		3	19.6x23x4.4	1	22943400
	FPM		23.47x2.95	1					
Pos.		VPN2-10/SX, VPN2-10/SY		Pos.		Dualseal SSA		Pcs	Ordering No.
1+2+3	Seal Kit	Pos.	O-ring	Pcs	Pos.	Back-up ring	Pcs	Pos.	Dualseal SSA
	NBR	1	28.3x1.78	1	2	29.03x31.73x1.14	1	3	19.6x23x4.4
	FPM		28.3x1.78	1		29.03x31.73x1.14	1		19.6x23x4.4
Pos.		VPN2-10/M		Pos.		Square ring		Pcs	Ordering No.
4	Seal Kit					Pos.	12.42x1.68	5	15991600
	NBR					4	12.42x1.68	5	40066700
	FPM								

Product (Datasheet): **VRN2-06/S (5153), VRN2-06/M (5155), VRN2-10/S (5154), VRN2-10/M (5156)**

Valve size 06, 10

- 1 - O-ring
- 2 - Back-up ring
- 3 - O-ring
- 4 - Square ring, O-ring



Pos.		VRN2-06/S, VRN2-06/M		Pos.		Ring		Pcs	Ordering No.
1+2+3	Seal Kit	Pos.	O-ring	Pcs	Pos.	Back-up ring	Pcs	Pos.	O-ring
	NBR	1	19.4x2.1	1	2	14.73x17.43x1.14	2	3	14x1.78
	FPM		19.4x2.1	1		14.73x17.43x1.14	2		14x1.78
Pos.		VRN2-06/M		Pos.		Square ring		Pcs	Ordering No.
4	Seal Kit					4	9.25x1.68	4	15991700
	NBR						O-ring 9.25x1.78	4	22944700
	FPM								
Pos.		VRN2-10/S, VRN2-10/M		Pos.		Square ring		Pcs	Ordering No.
1+2+3	Seal Kit	Pos.	O-ring	Pcs	Pos.	Back-up ring	Pcs	Pos.	O-ring
	NBR	1	23.47x2.95	1	2	17.91x20.61x1.14	2	3	17x1.8
	FPM		23.47x2.95	1		17.91x20.61x1.14	2		17x1.8
Pos.		VRN2-10/M		Pos.		Square ring		Pcs	Ordering No.
4	Seal Kit					4	12.42x1.68	5	15991600
	NBR						12.42x1.68	5	40066700
	FPM								

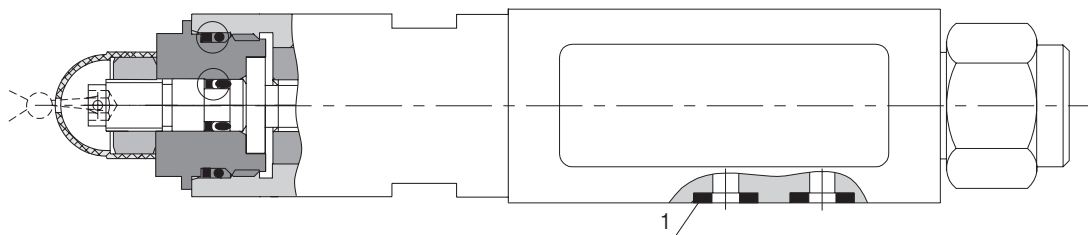
All dimensions are indicated in millimeters [mm].

3 Pressure Control Valves

Product (Datasheet): **VRP2-04 (5142), VRP2-06 (5145)**

Valve size 04, 06

1 - Square ring (NBR),
O-ring (FPM)

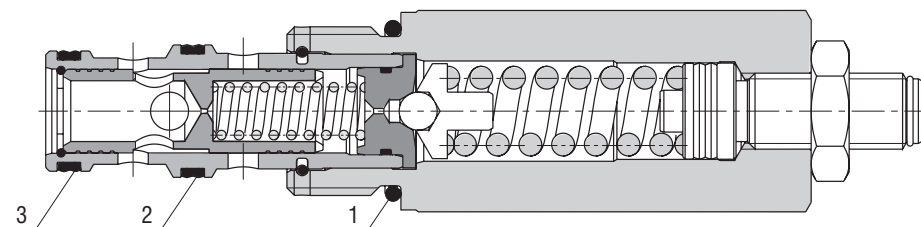


Position	VRP2-04									
1	Seal Kit		Pos.	Ring	Pcs	Ordering No.				
	NBR		1	Square ring 7.65x1.68	4	20718400				
	FPM			O-ring 7.65x1.78	4	22502600				
Position	VRP2-06									
1	Seal Kit		Pos.	Ring	Pcs	Ordering No.				
	NBR		1	Square ring 9.25x1.68	4	15991600				
	FPM			O-ring 9.25x1.78	4	22943800				

Product (Datasheet): **SS4A-A3 (5049), SP2A-A3 (5143), SP2A-B3 (5146), SP4A-B3 (5144)**

Cavity A3, B3

1 - O-ring
2, 3 Dualseal

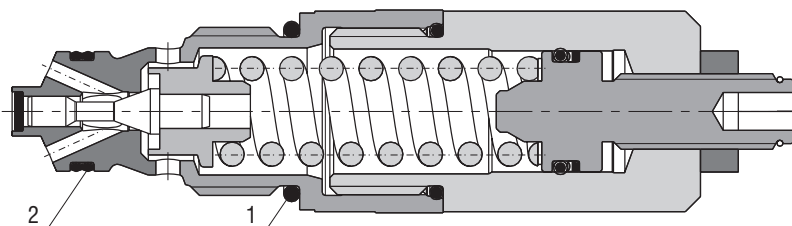


Position	SS4A-A3, SP2A-A3										
1+2+3	Seal Kit	Pos.	Dualseal SSA	Pcs	Pos.	O-ring NBR	Pcs	Pos.	O-ring Viton - FPM	Pcs	Ordering No.
	NBR	3	11.87x14.27x3.1	1	1	17x1.8	1	-	-	-	15661700
	FPM	3	11.87x14.27x3.1	1	-	-	-	1	17.17x1.78	1	20777200
		2	13.47x15.87x3.1	1							
Position	SP2A-B3, SP4A-B3										
1+2+3	Seal Kit	Pos.	Dualseal SSA	Pcs	Pos.	O-ring NBR	Pcs	Pos.	O-ring Viton - FPM	Pcs	Ordering No.
	NBR	3	13.47x15.87x3.1	1	1	19.4x2.1	1	-	-	-	18960700
		2	15.07x17.47x3.1	1							
	FPM	3	13.47x15.87x3.1	1	-	-	-	1	19.4x2.1	1	18960600
		2	15.07x17.47x3.1	1							

Product (Datasheet): **SR1A-A2 (5063), SR1A-B2 (5064), SR1A-B2*CE1017 (5084), SR4A-B2 (5065), SR4E2-B2 (5068)**

Cavity A3, B3

1 - O-ring
2 - Dualseal



Position	SR1A-A2										
1+2	Seal Kit	Pos.	Dualseal SSA	Pcs	Pos.	O-ring NBR	Pcs	Pos.	O-ring Viton - FPM	Pcs	Ordering No.
	NBR	2	10.3x12.7x3.1	1	1	17x1.8	1	-	-	-	20776700
	FPM	2	10.3x12.7x3.1	1	-	-	-	1	17.17x1.78	1	17014300
Position	SR1A-B2, SR1A-B2*CE1017, SR4A-B2, SR4E2-B2										
1+2	Seal Kit	Pos.	Dualseal SSA	Pcs	Pos.	O-ring NBR	Pcs	Pos.	O-ring Viton - FPM	Pcs	Ordering No.
	NBR	2	13.47x15.87x3.1	1	1	19.4x2.1	1	-	-	-	18960400
	FPM	2	13.47x15.87x3.1	1	-	-	-	1	19.4x2.1	1	18960500

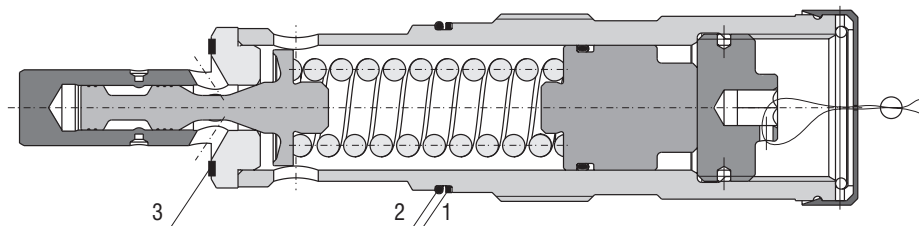
All dimensions are indicated in millimeters [mm].

3 Pressure Control Valves

 Product (Datasheet): **VPP-R-16(25)** (5300), **VPP-R-16-xx-L-CE1017** (5095)

 Valve size **16, 25**

- 1 - Back-up ring
- 2 - O-ring
- 3 - Seal



Position		VPP-R-16									
1+2	Seal Kit	Pos.	Back-up ring	Pcs	Pos.	O-ring NBR	Pcs				Ordering No.
	NBR	1	27.38x33.38x1.0 (PT)	1	2	26.57x3.53	1				34158400
	FPM			1			1				On request
Position		VPP-R-25									
1+2	Seal Kit	Pos.	Back-up ring	Pcs	Pos.	O-ring NBR	Pcs				Ordering No.
	NBR	1	35.38x38.08x1.14	1	2	34.65x1.78	1				40124600
	FPM			1			1				On request
Position		VPP-R-16-xx-L-CE1017									
1+2+3	Seal Kit	Pos.	Back-up ring	Pcs	Pos.	O-ring NBR	Pcs	Pos.	Seal HTR 24	Pcs	Ordering No.
	NBR	1	27.38x33.38x1.0 (PT)	1	2	26.57x3.53	1	3	HTR 24	1	34158400
	FPM			1			1			1	On request

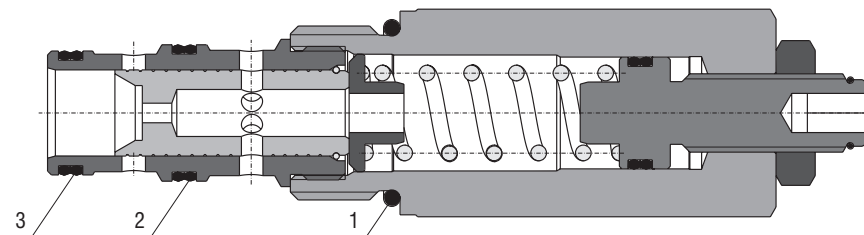
All dimensions are indicated in millimeters [mm].

4 Flow Control Valves

Product (Datasheet): [SF22A-A2/H \(5060\)](#), [SF22A-B2/H \(5067\)](#), [SF32A-B3/H \(5070\)](#), [ST2C1A-A2 \(5133\)](#), [ST21A-B2 \(5134\)](#)

Cavity A2, B2, B3

- 1 - O-ring
- 2 - Dualseal
- 3 - Dualseal

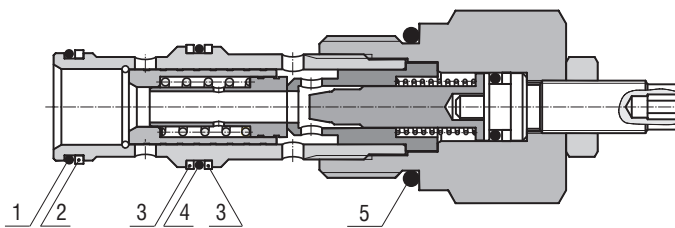


Position		SF22A-A2/H, ST2C1A-A2										
1+3	Seal Kit	Pos.	Dualseal SSA	Pcs	Pos.	O-ring NBR	Pcs	Pos.	O-ring Viton - FPM	Pcs	Ordering No.	
	NBR	3	10.3x12.7x3.1	1	1	17x1.8	1	-	-	-	20776700	
	FPM	3	10.3x12.7x3.1	1	-	-	-	1	17.17x1.78	1	17014300	
Position		SF22A-B2/H, ST21A-B2										
1+3	Seal Kit	Pos.	Dualseal SSA	Pcs	Pos.	O-ring NBR	Pcs	Pos.	O-ring Viton - FPM	Pcs	Ordering No.	
	NBR	3	13.47x15.87x3.1	1	1	19.4x2.1	1	-	-	-	18960400	
	FPM	3	13.47x15.87x3.1	1	-	-	-	1	19.4x2.1	1	18960500	
Position		SF32A-B3/H										
1+2+3	Seal Kit	Pos.	Dualseal SSA	Pcs	Pos.	Dualseal SSA	Pcs	Pos.	O-ring	Pcs	Ordering No.	
	NBR	3	13.47x15.87x3.1	1	2	15.07x17.47x3.1	1	1	19.4x2.1 (NBR)	1	18960700	
	FPM	3	13.47x15.87x3.1	1	2	15.07x17.47x3.1	1	1	19.4x2.1 (FPM)	1	18960600	

Product (Datasheet): [SF2C2A-K2/I \(5236\)](#), [SF32A-K3/I \(5227\)](#)

Cavity K2, K3

- 1 - O-ring
- 2 - Back-up ring
- 3 - Back-up ring
- 4 - O-ring
- 5 - O-ring

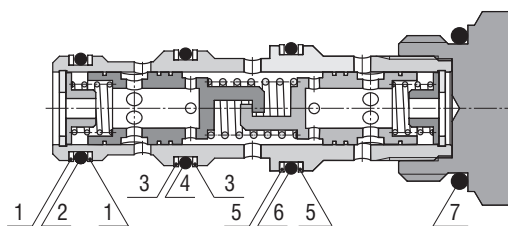


Position		SF2C2A-K2/I										
1+2+5	Seal Kit	Pos.	O-ring	Pcs	Pos.	Back-up ring	Pcs					Ordering No.
		1, 5		1	2		1					On request
Position		SF32A-K3/I										
1+2+3+4+5	Seal Kit	Pos.	O-ring	Pcs	Pos.	Back-up ring	Pcs	Pos.	Back-up ring	Pcs	Ordering No.	
		1, 4, 5		1	2		1	3		2	On request	

Product (Datasheet): [SFD2F-B4/I \(5234\)](#), [SFD2F-D4/I \(5235\)](#)

Cavity B4, D4

- 1 - Back-up ring
- 2 - O-ring
- 3 - Back-up ring
- 4 - O-ring
- 5 - Back-up ring
- 6 - O-ring
- 7 - O-ring



Position		SFD2F-B4/I, SFD2F-D4/I										
1+2+3+4+5+6+7	Seal Kit	Pos.	O-ring	Pcs		Pos.	Back-up ring	Pcs		Ordering No.		
		2, 4, 6, 7		1		1, 3, 5		2		On request		

All dimensions are indicated in millimeters [mm].

4 Flow Control Valves

Product (Datasheet): **VSK (5121), VSO1-04/R (5054)**

VSK Replacement seals for VSK valve is not offered!
VSO1-04/R Replacement seals for VSO1-04/R valve is not offered!

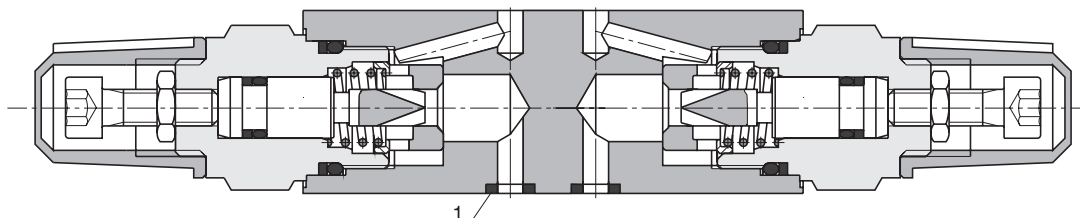
Product (Datasheet): **VSO1-04/M (5053)**

Product (Datasheet): **2V53-06 (5051), VSS1-206 (5032), VSS1-306 (5033), VSS2-206 (5041)**

Product (Datasheet): **VSO2-10/M (5056), VSO3-10/M (5076)**

Valve 04, 06, 10

1 - Square ring (NBR),
O-ring (FPM)

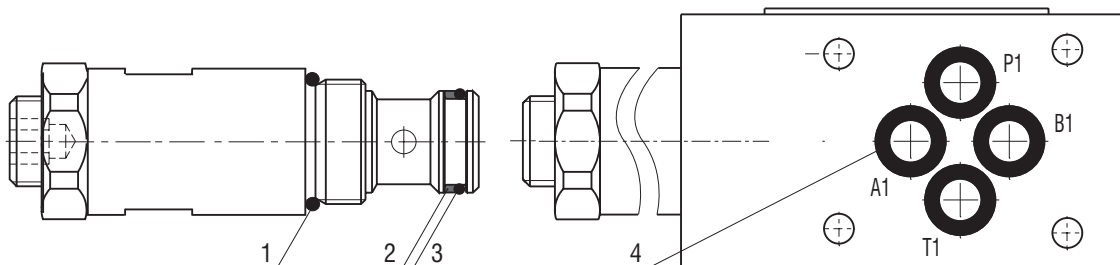


Position	VSO1-04/M			Pcs	Ordering No.
1	Seal Kit	Pos.	Ring		
	NBR	1	Square ring 7.65x1.68	4	20718400
	FPM		O-ring 7.65x1.78	4	22502600
Position	2V53-06, VSS1-206, VSS1-306, VSS2-206			Pcs	Ordering No.
1	Seal Kit	Pos.	Ring		
	NBR	1	Square ring 9.25x1.68	4	15991700
	FPM		O-ring 9.25x1.78	4	22944700
Position	VSO2-10/M, VSO3-10/M			Pcs	Ordering No.
1	Seal Kit	Pos.	Square ring		
	NBR	1	12.42x1.68	5	15991600
	FPM		12.42x1.68	5	40066700

Product (Datasheet): **VSS3-062/S (5057), VSS3-062/M (5050)**

Valve 06

1 - O-ring
 2 - Back-up ring
 3 - O-ring
 4 - Square ring (NBR),
O-ring (FPM)



Pos.	VSS3-062/S, VSS3-062/M			Pcs		Pcs		Pcs	Ordering No.	
1-3	Seal Kit	Pos.	O-ring		Pos.	Back-up ring (PT)		Pos.	O-ring	
	NBR	1	19.4x2.1	1	2	14.73x17.43x1.14	1	3	14x1.78	1
	FPM		19.4x2.1	1		14.73x17.43x1.14	1		14x1.78	1
Pos.	VSS3-062/M			Pcs	Ordering No.					
4	Seal Kit	Pos.	Ring							
	NBR	4	Square ring 9.25x1.68	4	15991700					
	FPM		O-ring 9.25x1.78	4	22944700					

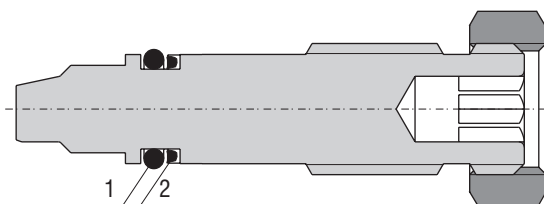
All dimensions are indicated in millimeters [mm].

4 Flow Control Valves

Product (Datasheet): **VSV2 (5132)**

Cavity QC2

- 1 - O-ring
- 2 - Back-up ring



Pos.	VSV2-1, VSV2-J1, VSV2-J2							
1, 2	Seal Kit	Pos.	O-ring	Pcs	Pos.	Back-up ring	Pcs	Ordering No.
	NBR	1	6.9x1.8	1	2	6.73x9.43x1.14	1	40125400
	FPM		6.9x1.8	1		6.73x9.43x1.14	1	40125300

All dimensions are indicated in millimeters [mm].

5 Overcentre Valves

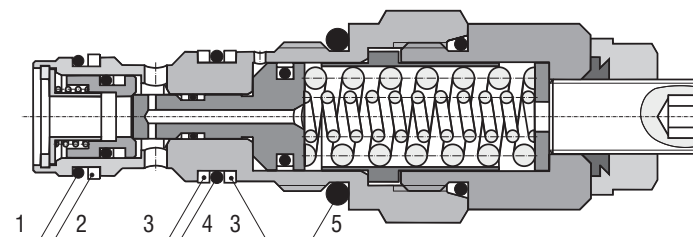
Product (Datasheet): **SO5A-Q3/I** (5200), **SOP5A-Q3/I** (5201), **SOB5A-Q3/I** (5202)

Product (Datasheet): **SO5A-R3/I** (5205), **SOP5A-R3/I** (5206), **SOB5A-R3/I** (5207), **SOBD5A-R4/I** (5208)

Product (Datasheet): **SO5A-T3/I** (5214), **SOP5A-T3/I** (5215)

Cavity Q3, R3, R4, T3

- 1 - O-ring
- 2 - Back-up ring
- 3 - Back-up ring
- 4 - O-ring
- 5 - O-ring

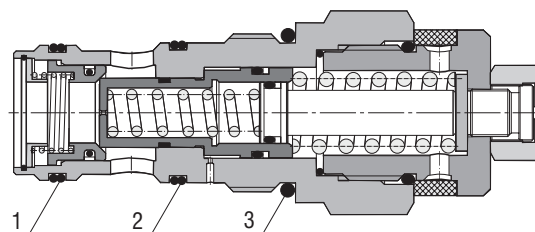


Position	Seal Kit	Pos.	O-ring	Pcs	Pos.	Back-up ring	Pcs	Ordering No.
1+2+3+4+5		1, 4, 5		3	2, 3		3	On request

Product (Datasheet): **SOB5A-S3/I** (5211), **SOBD5A-S4/I** (5212)

Cavity S3, S4

- 1, 2, 3 - Seal



Position	Seal Kit	Pos.	Ordering No.
1+2+3		1, 2, 3	On request

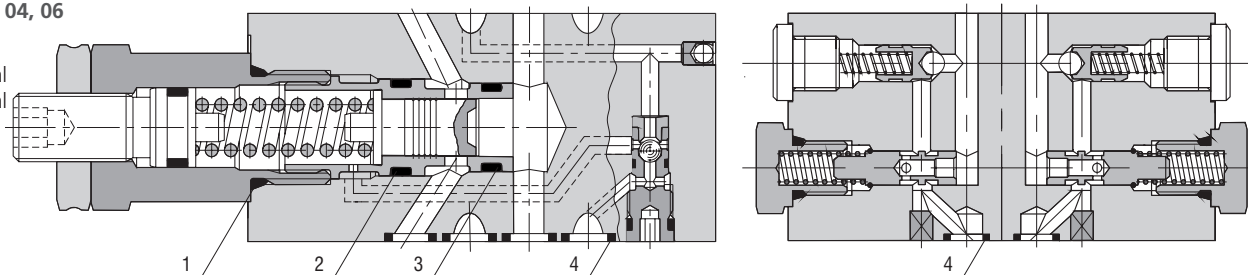
All dimensions are indicated in millimeters [mm].

6 Proportional Valves

Product (Datasheet): [TV2-063/S \(5158\)](#), [TV2-062/M \(5166\)](#), [TV2-063/M \(5168\)](#) [TV2-042/M \(5167\)](#), [TV2-043/M \(5188\)](#)

Valve size 04, 06

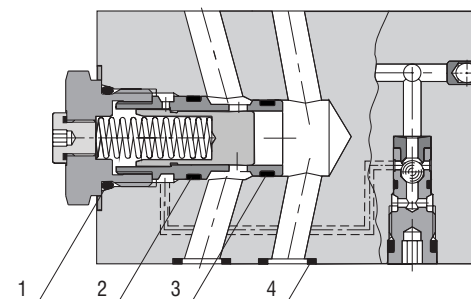
- 1 - O-ring
- 2 - Dualseal
- 3 - Dualseal



Pos.	TV2-063/S										Ordering No.
1+2+3	Seal Kit	Pos.	O-ring	Pcs	Pos.	Dualseal SSA	Pcs	Pos.	Dualseal SSA	Pcs	
	NBR	1	18x2	1	2	14.6x17x3.4	1	3	13.1x15.5x3.4	1	40125600
	FPM		18x2	1		14.6x17x3.4	1		13.1x15.5x3.4	1	34312500
Pos.	TV2-062/M, TV2-063/M										
4	Seal Kit	Pos.	Ring	Pcs	Ordering No.						
	NBR	4	Square ring 9.25x1.68	4	15991700						
	FPM		O-ring 9.25x1.78	4	22944700						
Pos.	TV2-042/M, TV2-043/M										
4	Seal Kit	Pos.	Ring	Pcs	Ordering No.						
	NBR	4	Square ring 7.65x1.68	4	20718400						
	FPM		O-ring 7.5x1.8	4	17246100						

Product (Datasheet): [TV2-102/S \(5179\)](#), [TV2-103/S \(5180\)](#), [TV2-102/M \(5169\)](#), [TV2-103/M \(5170\)](#)

Valve size 10



Pos.	TV2-102/S, TV2-103/S										Ordering No.
1+2+3	Seal Kit	Pos.	O-ring	Pcs	Pos.	Dualseal SSA	Pcs	Pos.	Dualseal SSA	Pcs	
	NBR	1	23.47x2.95	1	2	20.6x23x3.4	1	3	18.6x21x3.6	1	16755901
	FPM		23.47x2.95	1		20.6x23x3.4	1		18.6x21x3.6	1	40125900
Pos.	TV2-102/M, TV2-103/M										
4	Seal Kit	Pos.	Square ring	Pcs	Ordering No.						
	NBR	4	12.42x1.68	5	15991600						
	FPM		12.42x1.68	5	40066700						

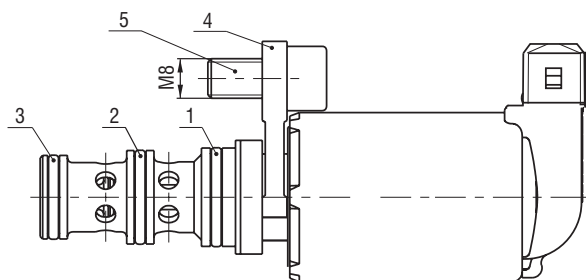
All dimensions are indicated in millimeters [mm].

6 Proportional Valves

Product (Datasheet): **PP2P1-W3 (5125), PP2P3-W3 (5147)**

Cavity W3

- 1, 2, 3 - O-ring
- 4 - Fork Slip-In M8
- 5 - Bolt M8x16 (ISO 4762)

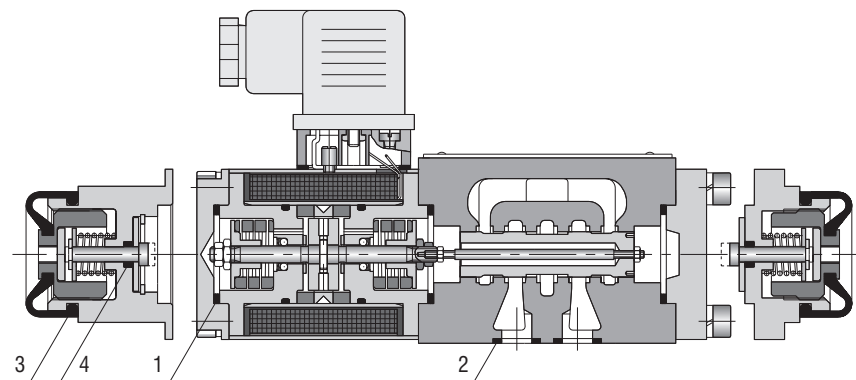


Position	PP2P1-W3, PP2P3-W3											
1+2+3	Seal Kit	Pos.	O-ring	Pcs	Pos.	O-ring	Pcs	Pos.	O-ring	Pcs	Ordering No.	
	NBR	3	14x1.78	1	2	16x1.8	1	1	17x1.8	1	16961300	
	FPM	3	14x1.78	1	2	16x1.8	1	1	17x1.8	1	On request	
4+5	Kit - Fork+Bolt M8	Pos.		Pcs	Pos.		Pcs				Ordering No.	
		4	Fork SLIP-IN M8	1	5	Bolt M8x16 Zn / PO-A	1				16961500	

Product (Datasheet): **PRL1 (5101)**

Size 06

- 1 - O-ring
- 2 - Square ring (NBR)
- 3 - Rubber boot
- 4 - O-ring

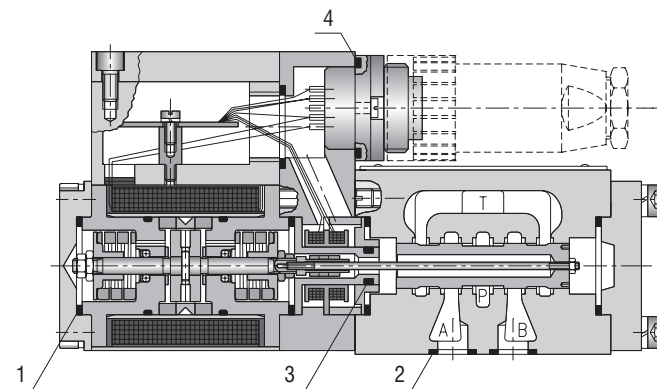


Position	PRL1* without manual override													
1+2	Seal Kit	Pos.	O-ring	Pcs	Pos.	Ring	Pcs				Ordering No.			
	NBR	1	22x2	3	2	Square ring 9.25x1.68	4				23043600			
	FPM	1		3	2		4				On request			
Position	PRL1*N													
1+2+3+4	Seal Kit	Pos.	O-ring	Pcs	Pos.	Ring	Pcs	Pos.	Manual override	Pcs	Pos.	O-ring	Pcs	Ordering No.
	NBR	1	22x2	3	2	Square ring 9.25x1.68	4	3	Rubber boot	1	4	4x1.75	1	23043700
	FPM	1		3	2		4	3		1	4		1	On request
Position	PRL1*NN													
1+2+3+4	Seal Kit	Pos.	O-ring	Pcs	Pos.	Ring	Pcs	Pos.	Manual override	Pcs	Pos.	O-ring	Pcs	Ordering No.
	NBR	1	22x2	3	2	Square ring 9.25x1.68	4	3	Rubber boot	2	4	4x1.75	2	23043800
	FPM	1	-	3	2	-	4	3		2	4		2	On request

Product (Datasheet): **PRL2 (5103)**

Size 06

- 1 - O-ring
- 2 - Square ring (NBR)
- 3, 4 - O-ring



All dimensions are indicated in millimeters [mm].

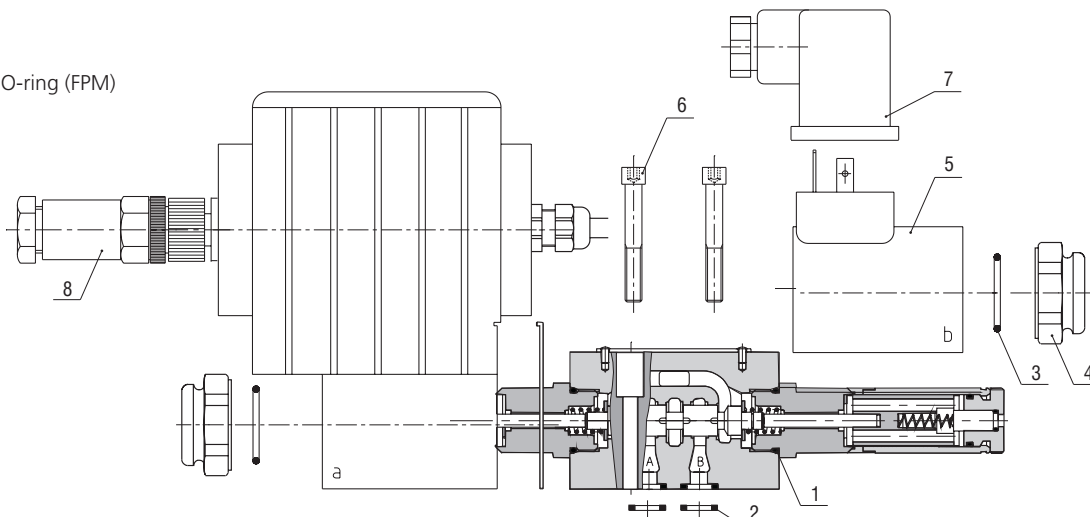
Position	PRL1* without manual override													
1+2+3+4	Seal Kit	Pos.	O-ring	Pcs	Pos.	Ring	Pcs	Pos.	O-ring	Pcs	Pos.	O-ring	Pcs	Ordering No.
	NBR	1	22x2	4	2	Square ring 9.25x1.68	4	3	6x2	1	4	18x2	1	23043900
	FPM	1		4	2		4	3		1	4		1	On request

6 Proportional Valves

Product (Datasheet): **PRM2-04** (5105), **PRM2-06** (5104), **PRM6-10** (5115)

Size 04, 06, 10

- 1 - O-ring
- 2 - Square ring (NBR), O-ring (FPM)
- 3 - O-ring
- 4 - Retaining nut
- 5 - Solenoid coil
- 6 - Mounting bolt
- 7, 8 - Connector



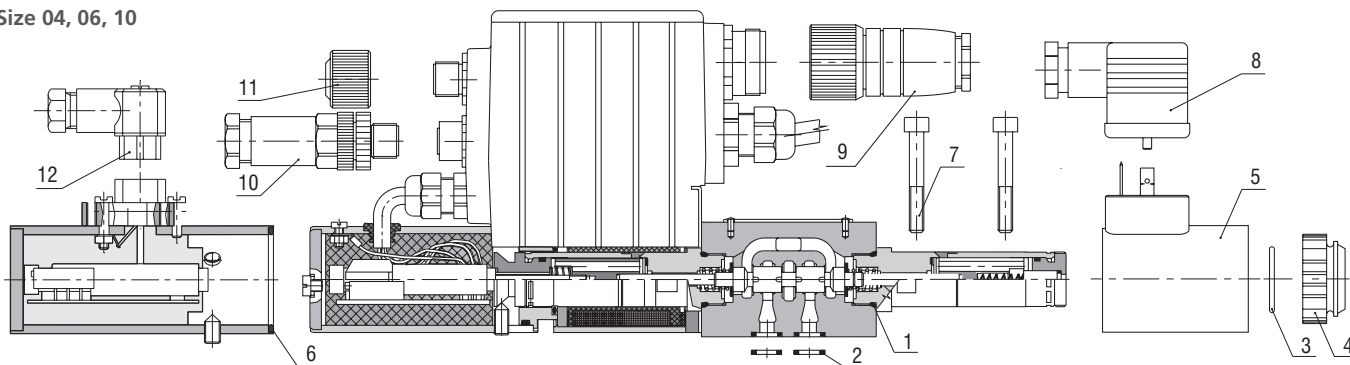
Position		PRM2-04							
1+2	Seal Kit	Pos.	O-ring	Pcs	Pos.	Ring		Pcs	Ordering No.
	NBR	1	16x2	2	2	Square ring 7.65x1.68		4	15873800
	FPM		16x2	2		O-ring 7.5x1.8		4	15874400
3+4	Nut Kit	Pos.	O-ring	Pcs	Pos.	Retaining nut		Pcs	Ordering No.
		3	18x1.5	1	4	Plastic		1	15874500
5	Solenoid Coil Kit	Pos.						Pcs	Ordering No.
		5	Nominal supply voltage 12 V					1	16186100
			Nominal supply voltage 24 V					1	16186200
6	Bolt Kit	Pos.	Mounting bolt					Pcs	Ordering No.
		6	Bolt M5x35					4	15874600
Position		PRM2-06							
1+2	Seal Kit	Pos.	O-ring	Pcs	Pos.	Ring		Pcs	Ordering No.
	NBR	1	17x1.8	2	2	Square ring 9.25x1.68		4	15845200
	FPM		17.17x1.78	2		O-ring 9.25x1.78		4	15845400
3+4	Nut Kit	Pos.	O-ring	Pcs	Pos.	Retaining nut		Pcs	Ordering No.
		3	22x2	1	4	Plastic		1	15844600
5	Solenoid Coil Kit	Pos.						Pcs	Ordering No.
		5	Nominal supply voltage 12 V					1	16186400
			Nominal supply voltage 12 V (1.6 A) for 12 V electronic unit integrated					1	16187500
			Nominal supply voltage 24 V					1	16186800
6	Bolt Kit	Pos.	Mounting bolt					Pcs	Ordering No.
		6	M5x45					4	15845100
Position		PRM6-10							
1+2	Seal Kit	Pos.	O-ring	Pcs	Pos.	Square ring		Pcs	Ordering No.
	NBR	1	23.81x2.62	2	2	12.42x1.68		5	23114300
	FPM		23.47x2.62	2		12.42x1.68		5	23114400
3+4	Nut Kit	Pos.	O-ring	Pcs	Pos.	Retaining nut		Pcs	Ordering No.
		3	30x2	1	4	Plastic		1	15900800
5	Solenoid Coil Kit	Pos.						Pcs	Ordering No.
		5	Nominal supply voltage 12 V					1	16195800
			Nominal supply voltage 24 V					1	16196200
6	Bolt Kit	Pos.	Mounting bolt					Pcs	Ordering No.
		6	M6x40					4	15847700
Position		PRM2-04, PRM2-06, PRM6-10							
7	Connector	Pos.	Type K5 without rectifier M16x1.5 bushing bore Ø 4-6 mm (0.16-0.24 in)					Pcs	Ordering No.
	to EN 175301-803	7	Maximum input voltage 230 V DC		Connector plug	A gray		1	16202600
						B black		1	16202500
8	Connector	Pos.						Pcs	Ordering No.
		8	M12x1 (4-pin connector)					1	15634200

All dimensions are indicated in millimeters [mm].

6 Proportional Valves

Product (Datasheet): **PRM7-04 (5120), PRM7-06 (5119), PRM7-10 (5116)**

Size **04, 06, 10**



- 1 - O-ring 3 - O-ring 6 - O-ring 8, 9, 10 - Connector
 2 - Square ring (NBR, O-ring (FPM)) 4 - Retaining nut 7 - Mounting bolt 11 - Cover of connector
 12 - Connector

All dimensions are indicated in millimeters [mm].

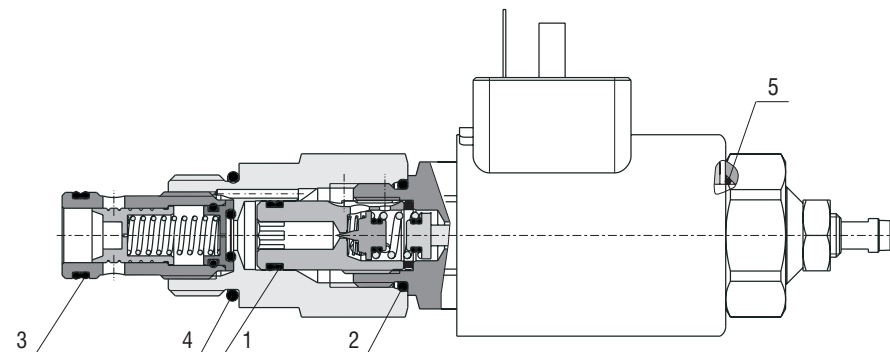
Position	PRM7-04								
1+2	Seal Kit	Pos.	O-ring	Pcs	Pos.	Ring		Pcs	Ordering No.
	NBR	1	16x2	2	2	Square ring 7.65x1.68		4	15873800
	FPM		16x2			O-ring 7.5x1.8		4	15874400
3+4	Nut Kit	Pos.	O-ring	Pcs	Pos.	Retaining nut		Pcs	Ordering No.
		3	18x1.5	1	4	Plastic		1	15874500
5	Solenoid Coil Kit	Pos.						Pcs	Ordering No.
		5	Nominal supply voltage 12 V					1	16186100
			Nominal supply voltage 24 V					1	16186200
6	Seal	Pos.	O-ring					Pcs	Ordering No.
		6	28x2					1	15605600
7	Bolt Kit	Pos.	Mounting bolt					Pcs	Ordering No.
		7	Bolt M5x35					4	15874600
Position	PRM7-06								
1+2	Seal Kit	Pos.	O-ring	Pcs	Pos.	Ring		Pcs	Ordering No.
	NBR	1	17x1.8	2	2	Square ring 9.25x1.68		4	15845200
	FPM		17.17x1.78			O-ring 9.25x1.78		4	15845400
3+4	Nut Kit	Pos.	O-ring	Pcs	Pos.	Retaining nut		Pcs	Ordering No.
		3	22x2	1	4	Plastic		1	15844600
5	Solenoid Coil Kit	Pos.						Pcs	Ordering No.
		5	Nominal supply voltage 12 V					1	16186400
			Nominal supply voltage 12 V (1.6 A) for 12 V electronic unit integrated					1	16187500
			Nominal supply voltage 24 V					1	16186800
6	Seal	Pos.	O-ring					Pcs	Ordering No.
		6	32x2					1	15606000
7	Bolt Kit	Pos.	Mounting bolt					Pcs	Ordering No.
		7	M5x45					4	15845100
Position	PRM7-10								
1+2	Seal Kit	Pos.	O-ring	Pcs	Pos.	Square ring		Pcs	Ordering No.
	NBR	1	23.81x2.62	2	2	12.42x1.68		5	23114300
	FPM		23.47x2.62			12.42x1.68		5	23114400
3+4	Nut Kit	Pos.	O-ring	Pcs	Pos.	Retaining nut		Pcs	Ordering No.
		3	30x2	1	4	Plastic		1	15900800
5	Solenoid Coil Kit	Pos.						Pcs	Ordering No.
		5	Nominal supply voltage 12 V					1	16195800
			Nominal supply voltage 24 V					1	16196200
6	Seal	Pos.	O-ring					Pcs	Ordering No.
		6	32x2					1	15606000
7	Bolt Kit	Pos.	Mounting bolt					Pcs	Ordering No.
		7	M6x40					4	15847700
Position	PRM7-04, PRM7-06, PRM7-10								
8	Connector	Pos.	Type K5 without rectifier M16x1.5 bushing bore Ø 4-6 mm (0.16-0.24 in)					Pcs	Ordering No.
	to EN 175301-803	8	Maximum input voltage 230 V DC		Connector plug	A gray		1	16202600
						B black		1	16202500
9	Connector	Pos.						Pcs	Ordering No.
		9	M23 7-pin connector (female)					1	17508300
10	Connector	Pos.						Pcs	Ordering No.
		10	M12x1 5-pin connector (male), only for E03 and E04S01 configurations					1	17661100
11	Cover of connector	Pos.						Pcs	Ordering No.
		11	M12x1					1	23090600
12	Connector	Pos.						Pcs	Ordering No.
		12	G4W1F					1	20607000

6 Proportional Valves

Product (Datasheet): [SR1P2-A2 \(5122\)](#), [SR4P2-B2 \(5117\)](#), [SRN1P1-A2 \(5137\)](#), [SRN4P1-B2 \(5138\)](#)

Cavity A2, B2

- 1 - Dualseal
- 2 - O-ring
- 3 - Dualseal
- 4 - O-ring
- 5 - O-ring

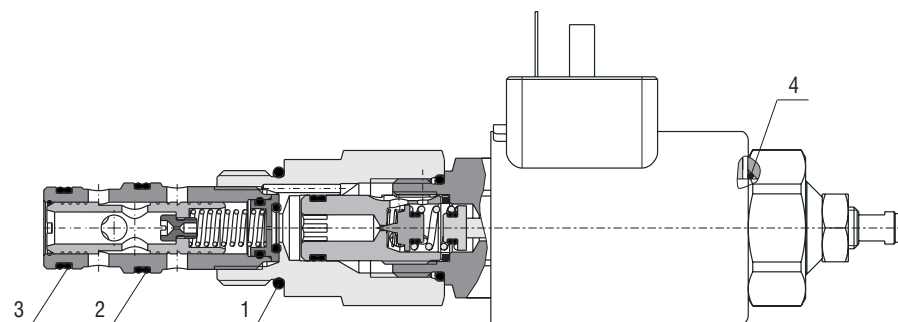


Position	SR1P2-A2, SRN1P1-A2											
1+2+5	Seal Kit	Pos.	Dualseal PU	Pcs	Pos.	O-ring	Pcs	Pos.	O-ring	Pcs	Ordering No.	
	NBR	1	10.3x12.7x3.1	1	2	17.17x1.78	1	5	18x1.5	1	40102100	
	FPM		10.3x12.7x3.1	1		17.17x1.78	1		18x1.5	1	40102000	
Position	SR4P2-B2, SRN4P1-B2											
3+4+5	Seal kit	Pos.	Dualseal PU	Pcs	Pos.	O-ring	Pcs	Pos.	O-ring	Pcs	Ordering No.	
	NBR	3	13.47x15.87x3.1	1	4	19.4x2.1	1	5	18x1.5	1	40102700	
	FPM		13.47x15.87x3.1	1		19.4x2.1	1		18x1.5	1	40102300	

Product (Datasheet): [SP4P2-B3 \(5123\)](#), [SPN4P1-B3 \(5139\)](#)

Cavity B3

- 1 - O-ring
- 2 - Dualseal
- 3 - Dualseal
- 4 - O-ring

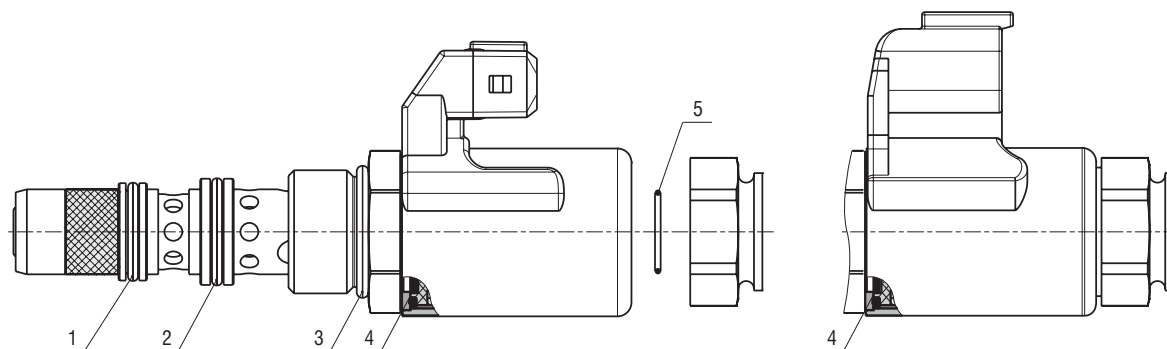


Position	SP4P2-B3, SPN4P1-B3												
1+2+3	Seal Kit	Pos.	O-ring	Pcs	Pos.	Dualseal PU	Pcs	Pos.	Dualseal PU	Pcs	Ordering No.		
	NBR	1	19.4x2.1	1	2	15.07x17.47x3.1	1	3	13.47x15.87x3.1	1	28197400		
	FPM		19.4x2.1	1		15.07x17.47x3.1	1		13.47x15.87x3.1	1	28197500		
4	Seal									Pos.	O-ring	Pcs	Ordering No.
	NBR									4	18x1.5	1	20150800
	FPM									4	18x1.5	1	20131900

Product (Datasheet): [SP4P1-B4 \(5124\)](#)

Cavity B4

- 1, 2, 3 - O-ring
- 4 - Dualseal
- 5 - O-ring



Position	SP4P1-B4																
1+2+3+4+5	Seal Kit	Pos.	O-ring	Pcs	Pos.	O-ring	Pcs	Pos.	O-ring	Pcs	Pos.	Seal	Pcs	Pos.	O-ring	Pcs	Ordering No.
	NBR	1	14x1.78	1	2	15.6x1.78	1	3	19.4x2.1	1	4	Silikon seal	1	5	13x2	1	34321700
	FPM		14x1.78	1		15.6x1.78	1		19.4x2.1	1					13x2	1	34321800

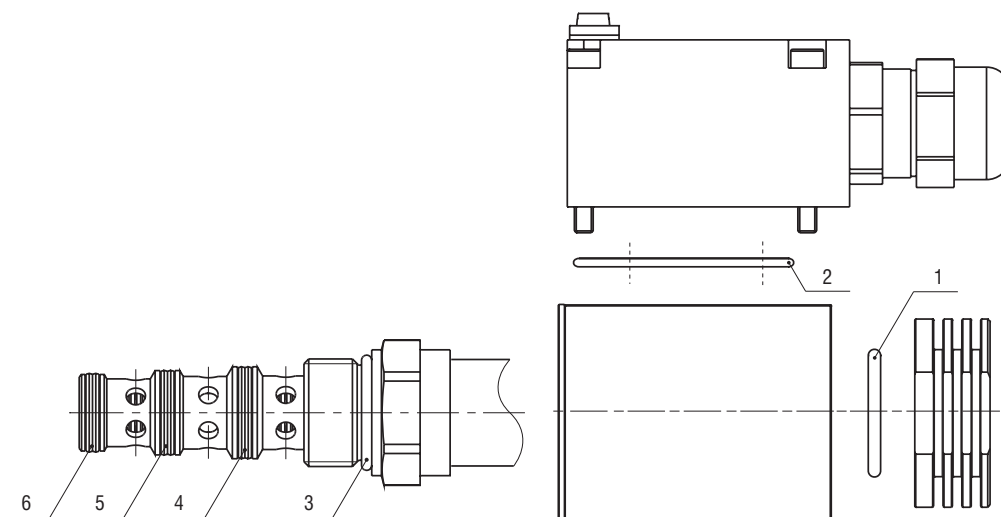
All dimensions are indicated in millimeters [mm].

7 Explosion Proof Valves (ATEX)

Product (Datasheet): **SD1EX-A3 (4068), SD2EX-B2 (4064), SD2EX-B3 (4065), SD2EX B4 (4066), SD3EX-B2 (4067)**

Cavity A3, B2, B3, B4

- 1 - O-ring
- 2 - O-ring
- 3 - O-ring
- 4, 5, 6 - Dualseal



Position	SD1EX-A3, SD2EX-B2, SD2EX-B3, SD2EX-B4, SD3EX-B2										
1	Seal	Pos.	O-ring	Pcs							Ordering No.
	MVQ (Silikon)	1	21.89x2.62	1							33053300
2	Seal	Pos.	O-ring	Pcs							Ordering No.
	MVQ (Silikon)	2	46x2	1							34950700
Position	SD1EX-A3										
3+4+5	Seal Kit	Pos.	Dualseal SSA	Pcs	Pos.	O-ring NBR	Pcs	Pos.	O-ring Viton - FPM	Pcs	Ordering No.
	NBR	5	11.87x14.27x3.1	1	3	17x1.8	1	-	-	-	15661700
		4	13.47x15.87x3.1	1							
	FPM	5	11.87x14.27x3.1	1	-	-	-	3	17.17x1.78	1	20777200
4		13.47x15.87x3.1	1								
Position	SD2EX-B2, SD3EX-B2										
3+4	Seal Kit	Pos.	Dualseal SSA	Pcs	Pos.	O-ring NBR	Pcs	Pos.	O-ring Viton - FPM	Pcs	Ordering No.
	NBR	4	13.47x15.87x3.1	1	3	19.4x2.1	1	-	-	-	18960400
	FPM	4	13.47x15.87x3.1	1	-	-	-	3	19.4x2.1	1	18960500
Position	SD2EX-B3										
3+4+5	Seal Kit	Pos.	Dualseal SSA	Pcs	Pos.	O-ring NBR	Pcs	Pos.	O-ring Viton - FPM	Pcs	Ordering No.
	NBR	5	13.47x15.87x3.1	1	3	19.4x2.1	1	-	-	-	18960700
		4	15.07x17.47x3.1	1							
	FPM	5	13.47x15.87x3.1	1	-	-	-	3	19.4x2.1	1	18960600
4		15.07x17.47x3.1	1								
Position	SD2EX-B4										
3+4+5+6	Seal Kit	Pos.	Dualseal SSA	Pcs	Pos.	O-ring NBR	Pcs	Pos.	O-ring Viton - FPM	Pcs	Ordering No.
	NBR	6	13.47x15.87x3.1	1	3	19.4x2.1	1	-	-	-	18960800
		5	15.07x17.47x3.1	1							
		4	16.65x19.05x3.1	1							
	FPM	6	13.47x15.87x3.1	1	-	-	-	3	19.4x2.1	1	18960900
		5	15.07x17.47x3.1	1							
4		16.65x19.05x3.1	1								

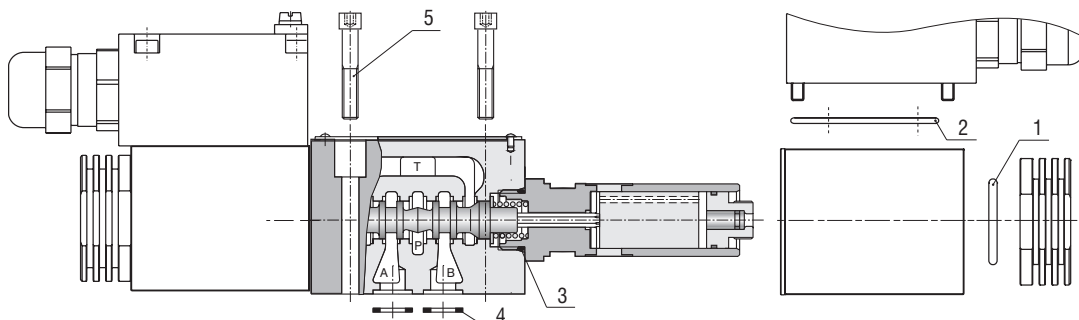
All dimensions are indicated in millimeters [mm].

7 Explosion Proof Valves (ATEX)

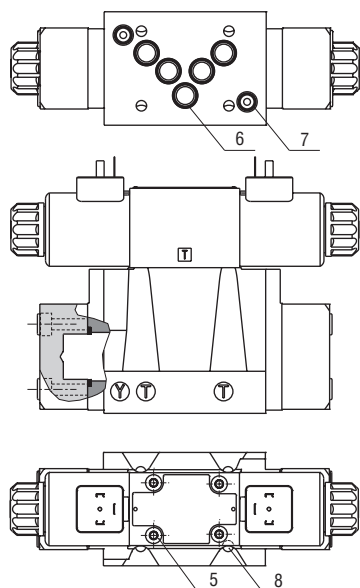
Product (Datasheet): **RNEXH1-10 (4077), RNEH5-16 (4058), RNEXH4-25 (4059)**

RPEX3-06

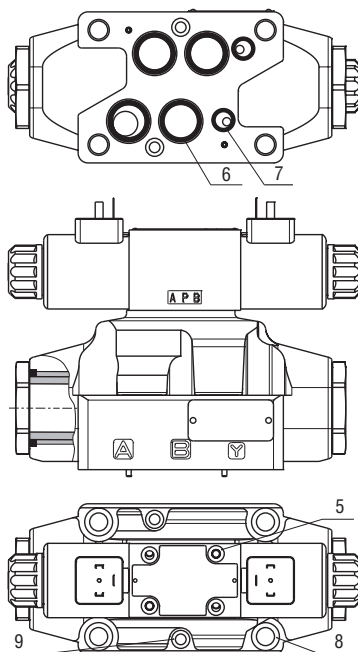
- 1, 2 - O-ring
- 3 - O-ring
- 4 - Square ring (NBR),
O-ring (FPM)
- 5 - Mounting bolt



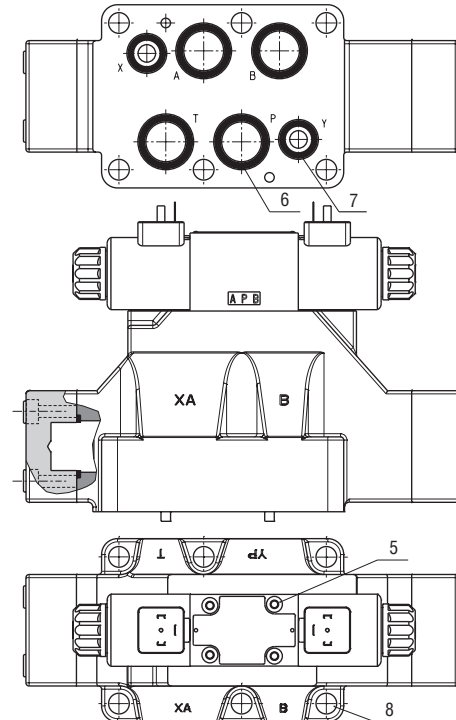
RNEXH1-10



RNEXH5-16



RNEXH4-25



All dimensions are indicated in millimeters [mm].

Position	RPEX3-06							
1	Seal	Pos.	O-ring	Pcs			Ordering No.	
	MVQ (Silikon)	1	21.89x2.62	1			33053300	
2	Seal	Pos.	O-ring	Pcs			Ordering No.	
	MVQ (Silikon)	2	46x2	1			34950700	
3+4	Seal Kit	Pos.	O-ring	Pcs	Pos.	Ring	Pcs	Ordering No.
	NBR	3	17x1.8	2	4	Square ring 9.25x1.68	4	15845200
	FPM		17.17x1.78	2		O-ring 9.25x1.78	4	15845400
5	Bolt Kit	Pos.			Pcs		Ordering No.	
Mounting bolts for steel plates	5		Bolt M5x45	4		for studs see Datasheet 0020	15845100	

Position	RNEH1-10							
6+7	Seal Kit	Pos.	O-ring	Pcs	Pos.	O-ring	Pcs	Ordering No.
	NBR	6	12.42x1.78	5	7	9.25x1.78	2	40075900
	FPM			5			2	On request
8	Bolts	Pos.		Pcs				
Mounting bolts	8		Bolt M6x35	4		Mounting bolts for steel plates are not available		
Position	RNEH5-16							
6+7	Seal Kit	Pos.	O-ring	Pcs	Pos.	O-ring	Pcs	Ordering No.
	NBR	6	22.22x2.62	4	7	10.82x1.78	2	40076000
	FPM			4			2	On request
8+9	Bolts	Pos.		Pcs				
Mounting bolts	8,9		Bolt M10x60, M6x50	4+2		Mounting bolts for steel plates are not available		
Position	RNEH4-25							
6+7	Seal Kit	Pos.	O-ring	Pcs	Pos.	O-ring	Pcs	Ordering No.
	NBR	6	29.82x2.62	4	7	20.29x2.62	2	40076200
	FPM			4			2	On request
8	Bolts	Pos.		Pcs				
Mounting bolts	8		Bolt M12x60	6		Mounting bolts for steel plates are not available		

