

**PATENT PENDING**

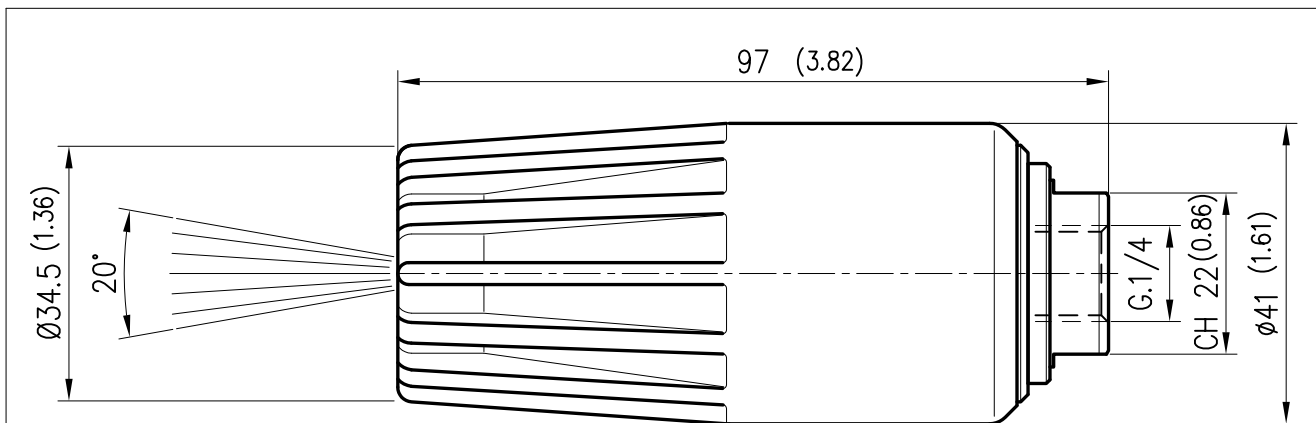


- ROBUSTA COSTRUZIONE IN OTTONE  
*STRONG BRASS STRUCTURE*
- SEDE E UGELLO IN CERAMICA AD ALTISSIMA RESISTENZA  
*HIGHLY SHOCK-RESISTANT CERAMIC SEAT AND NOZZLE*
- ALTO ASSORBIMENTO DEGLI URTI ACCIDENTALI GRAZIE ALLA PROTEZIONE IN PLASTICA 'BLU'  
*HIGH ABSORPTION OF ACCIDENTAL KNOCKS THANKS TO THE 'BLUE' PLASTIC PROTECTION*
- UTILIZZABILE IN OGNI POSIZIONE GRAZIE AL SISTEMA CON MOLLA INTERNA CHE ELIMINA I GIOCHI TRA SEDE E UGELLO.  
*CAN BE USED IN ANY POSITION THANKS TO THE SYSTEM EQUIPPED WITH INTERNAL SPRING ELIMINATING THE CLEARANCE BETWEEN SEAT AND NOZZLE.*

### SPECIFICHE TECNICHE - SPECIFICATIONS

|  |   |
|--|---|
| - PRESSIONE NOMINALE<br><i>RATED PRESSURE</i>                    | 250 bar - 25 MPa (3650 psi)   |
| - PRESSIONE MINIMA DI UTILIZZO<br><i>MIN. OPERATING PRESSURE</i> | 80 bar - 8 MPa (1150 psi)   |
| - PORTATA MINIMA<br><i>MIN. FLOW</i>                             | 6 L/min (1.6 USGp.m.) 80 bar - 8 MPa (1150 psi) ugello (nozzle) 03    |
| - PORTATA MASSIMA<br><i>MAX FLOW</i>                             | 29 L/min (7.7 USGp.m.) 250 bar - 25 MPa (3650 psi) ugello (nozzle) 08 |
| - TEMPERATURA MINIMA<br><i>MIN. WORKING TEMPERATURE</i>          | 5° C (41°F)   |
| - TEMPERATURA MASSIMA<br><i>MAX WORKING TEMPERATURE</i>          | 100° C (212 °F)   |
| - PESO<br><i>WEIGHT</i>  | 0.41 Kg (14.46 oz)  |

### MISURE D'INGOMBRO - OVERALL DIMENSIONS

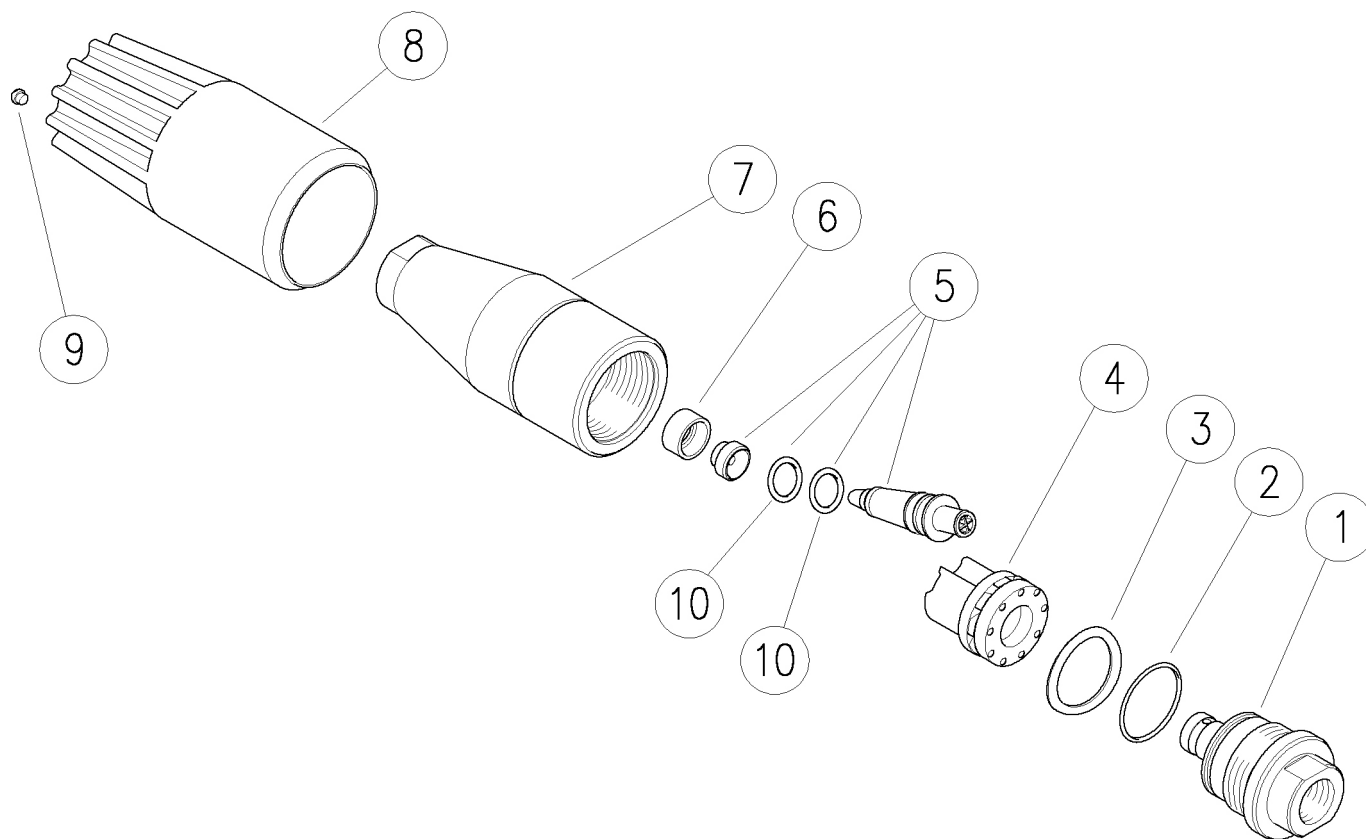


| CODICE<br><i>CODE</i> | FATTORE DI PORTATA<br><i>CAPACITY SIZE</i> |
|-----------------------|--|
| 25.1620.30            | 03   |
| 25.1620.35            | 035  |
| 25.1620.40            | 04   |
| 25.1620.45            | 045  |
| 25.1620.50            | 05   |

| CODICE<br><i>CODE</i> | FATTORE DI PORTATA<br><i>CAPACITY SIZE</i> |
|-----------------------|--|
| 25.1620.55            | 055  |
| 25.1620.60            | 06   |
| 25.1620.65            | 065  |
| 25.1620.70            | 07   |
| 25.1620.80            | 08   |

25.1620.30 UR25-03 Ug.rot.250bar, bian.  
 25.1620.35 UR25-035 Ug.rot.250bar, marr.  
 25.1620.40 UR25-04 Ug.rot.250bar, gial.sc.  
 25.1620.45 UR25-045 Ug.rot.250bar, blu  
 25.1620.50 UR25-05 Ug.rot.250bar, viola ch.

25.1620.55 UR25-055 Ug.rot.250bar, ros.sc.  
 25.1620.60 UR25-06 Ug.rot.250bar, ver.sc.  
 25.1620.65 UR25-065 Ug.rot.250bar, cel.  
 25.1620.70 UR25-07 Ug.rot.250bar, aranc.  
 25.1620.80 UR25-08 Ug.rot.250bar, argen.

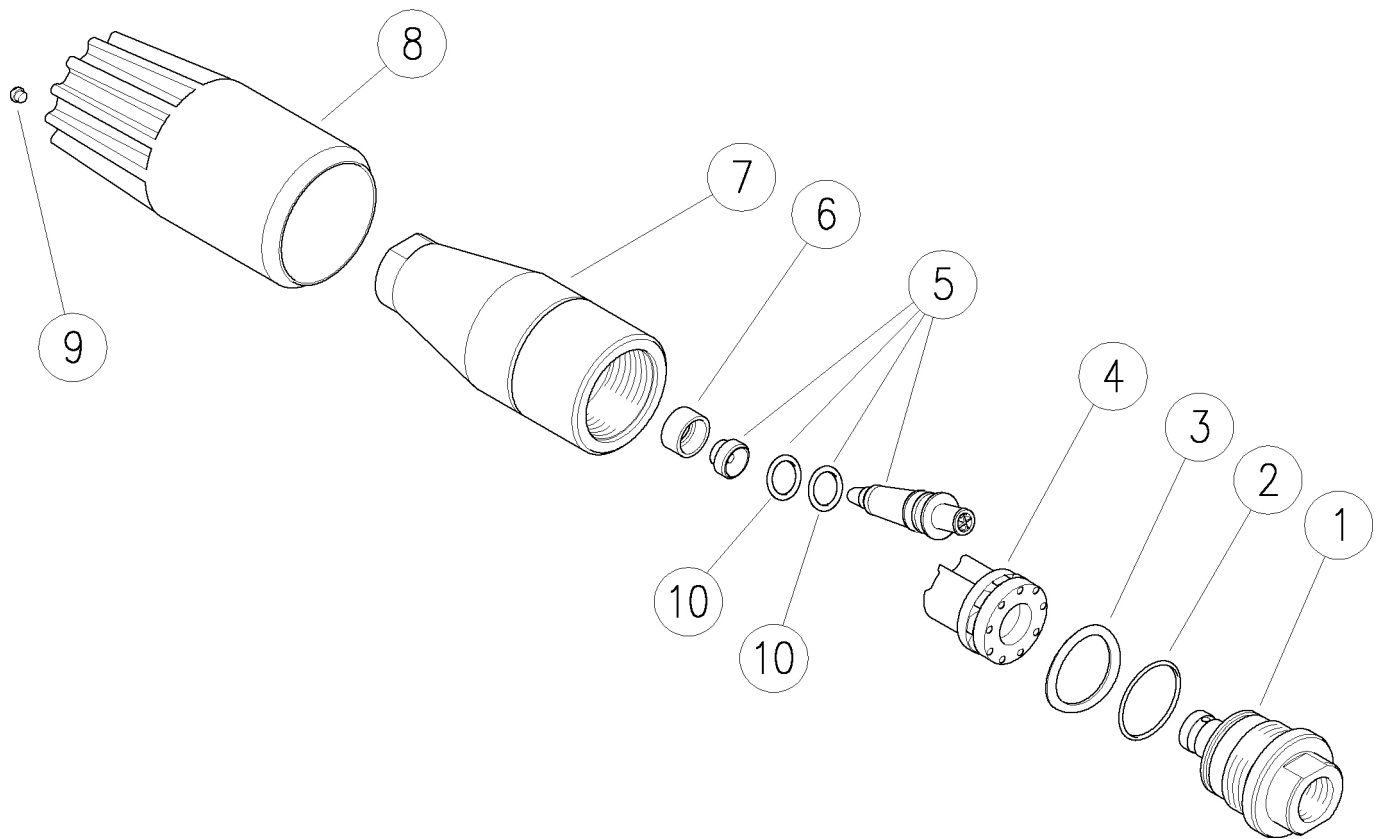


| Pos. | Codice     | Descrizione                      | Q.tà | K1 | K2 | K3 | K4 |    | Pos. | Codice     | Descrizione                           | Q.tà | K1 | K2 | K3 | K4 |    |
|------|------------|----------------------------------|------|----|----|----|----|----|------|------------|---------------------------------------|------|----|----|----|----|----|
| 1    | 25.1662.31 | Raccordo G1/4F (1)               | 1    |    |    |    |    | 3  | 5    | 25.1660.24 | Kit ric. UR16.03/UR25-32.035 (2)      | 1    |    |    |    |    | 1  |
| 1    | 25.1634.31 | Raccordo G1/4F (2)               | 1    |    |    |    |    | 3  | 5    | 25.1633.24 | Kit ric. UR16.035/UR25.04/UR32.04 (3) | 1    |    |    |    |    | 1  |
| 1    | 25.1635.31 | Raccordo G1/4F (3)               | 1    |    |    |    |    | 3  | 5    | 25.1637.24 | Kit ric. UR16.04-045/UR25-32.045 (4)  | 1    |    |    |    |    | 1  |
| 1    | 25.1645.31 | Raccordo G1/4F (4)               | 1    |    |    |    |    | 3  | 5    | 25.1638.24 | Kit ric. UR16-25-32.05 (5)            | 1    |    |    |    |    | 1  |
| 1    | 25.1636.31 | Raccordo G1/4F (5)               | 1    |    |    |    |    | 3  | 5    | 25.1668.24 | Kit ric. UR16-25-32.055 (6)           | 1    |    |    |    |    | 1  |
| 1    | 25.1646.31 | Raccordo G1/4F (6)               | 1    |    |    |    |    | 3  | 5    | 25.1639.24 | Kit ric. UR16-25-32.06 (7)            | 1    |    |    |    |    | 1  |
| 1    | 25.1636.31 | Raccordo G1/4F (7)               | 1    |    |    |    |    | 3  | 5    | 25.1640.24 | Kit ric. UR16-25-32.065 (8)           | 1    |    |    |    |    | 1  |
| 1    | 25.1646.31 | Raccordo G1/4F (8)               | 1    |    |    |    |    | 3  | 5    | 25.1641.24 | Kit ric. UR16-25-32.07 (9)            | 1    |    |    |    |    | 1  |
| 1    | 25.1647.31 | Raccordo G1/4F (9)               | 1    |    |    |    |    | 3  | 5    | 25.1669.24 | Kit ric. UR16-25-32.08 (10)           | 1    |    |    |    |    | 1  |
| 1    | 25.1661.31 | Raccordo G1/4F (10)              | 1    |    |    |    |    | 3  | 6    | 25.1624.85 | Guarn. 7,2x12x6 mm PTFE               | 1    |    |    |    |    | 10 |
| 2    | 10.3072.01 | An.OR 1,78x20,35 mm Ni 85        | 1    |    |    |    |    | 10 | 7    | 25.1622.31 | Corpo UR25                            | 1    |    |    |    |    | 3  |
| 3    | 25.1626.63 | Rosetta 14,8x23x0,1mm inox       | 1    |    |    |    |    | 5  | 8    | 25.1621.85 | Manopola UR25 blu                     | 1    |    |    |    |    | 3  |
| 4    | 25.1631.22 | Turbina                          | 1    |    |    |    |    | 3  | 9    | 15.2000.40 | Chiodo 04 giallo scuro (3)            | 1    |    |    |    |    | 10 |
| 5    | 25.1659.24 | Kit ric. UR16.025/UR25-32.03 (1) | 1    |    |    |    |    | 1  | 10   | 10.3230.00 | An or 3,53 x 7,52 mm Ni 70            | 2    |    |    |    |    | 10 |

(1) 25.1620.30 (2) 25.1620.35 (3) 25.1620.40 (4) 25.1620.45 (5) 25.1620.50 (6) 25.1620.55 (7) 25.1620.60 (8) 25.1620.65 (9) 25.1620.70 (10) 25.1620.80

25.1620.30 UR25-03 Rotat.nzl,250bar, white  
 25.1620.35 UR25-035 Rotat.nzl,250bar, brown  
 25.1620.40 UR25-04 Rotat.nzl,250bar, d. yellow  
 25.1620.45 UR25-045 Rotat.nzl,250bar, blue  
 25.1620.50 UR25-05 Rotat.nzl,250bar, l.purple

25.1620.55 UR25-055 Rotat.nzl,250bar, d. red  
 25.1620.60 UR25-06 Nzl.,rot.,250bar, d.green  
 25.1620.65 UR25-065 Rotat.nzl,250bar, l.blue  
 25.1620.70 UR25-07 Rotat.nzl,250bar, orange  
 25.1620.80 UR25-08 Rotat.nzl,250bar, silver



| Pos. | P/N        | Description                         | Q.ty | K1 | K2 | K3 | K4 |    | Pos. | P/N        | Description                              | Q.ty | K1 | K2 | K3 | K4 |    |
|------|------------|-------------------------------------|------|----|----|----|----|----|------|------------|--|------|----|----|----|----|----|
| 1    | 25.1662.31 | Coupling, 1/4 F Bsp (1)             | 1    |    |    |    |    | 3  | 5    | 25.1660.24 | Spares kit -UR16.03/UR25-32.035 (2)      | 1    |    |    |    |    | 1  |
| 1    | 25.1634.31 | Coupling, 1/4 F Bsp (2)             | 1    |    |    |    |    | 3  | 5    | 25.1633.24 | Spares kit -UR16.035/UR25.04/UR32.04 (3) | 1    |    |    |    |    | 1  |
| 1    | 25.1635.31 | Coupling, 1/4 F Bsp (3)             | 1    |    |    |    |    | 3  | 5    | 25.1637.24 | Spares kit -UR16.04-045/UR25-32.045 (4)  | 1    |    |    |    |    | 1  |
| 1    | 25.1645.31 | Coupling, 1/4 F Bsp (4)             | 1    |    |    |    |    | 3  | 5    | 25.1638.24 | Spares kit -UR16-25-32.05 (5)            | 1    |    |    |    |    | 1  |
| 1    | 25.1636.31 | Coupling, 1/4 F Bsp (5)             | 1    |    |    |    |    | 3  | 5    | 25.1668.24 | Spares kit -UR16-25-32.055 (6)           | 1    |    |    |    |    | 1  |
| 1    | 25.1646.31 | Coupling, 1/4 F Bsp (6)             | 1    |    |    |    |    | 3  | 5    | 25.1639.24 | Spares kit -UR16-25-32.06 (7)            | 1    |    |    |    |    | 1  |
| 1    | 25.1636.31 | Coupling, 1/4 F Bsp (7)             | 1    |    |    |    |    | 3  | 5    | 25.1640.24 | Spares kit -UR16-25-32.065 (8)           | 1    |    |    |    |    | 1  |
| 1    | 25.1646.31 | Coupling, 1/4 F Bsp (8)             | 1    |    |    |    |    | 3  | 5    | 25.1641.24 | Spares kit -UR16-25-32.07 (9)            | 1    |    |    |    |    | 1  |
| 1    | 25.1647.31 | Coupling, 1/4 F Bsp (9)             | 1    |    |    |    |    | 3  | 5    | 25.1669.24 | Spares kit -UR16-25-32.08 (10)           | 1    |    |    |    |    | 1  |
| 1    | 25.1661.31 | Coupling, 1/4 F Bsp (10)            | 1    |    |    |    |    | 3  | 6    | 25.1624.85 | Seal, 7,2x12x6 mm PTFE                   | 1    |    |    |    |    | 10 |
| 2    | 10.3072.01 | O-ring, 1,78x20,35 mm Ni 85         | 1    |    |    |    |    | 10 | 7    | 25.1622.31 | Housing -UR25                            | 1    |    |    |    |    | 3  |
| 3    | 25.1626.63 | Washer, 14,8x23x0,1mm Sst.          | 1    |    |    |    |    | 5  | 8    | 25.1621.85 | Knob -UR25, blue                         | 1    |    |    |    |    | 3  |
| 4    | 25.1631.22 | Turbine                             | 1    |    |    |    |    | 3  | 9    | 15.2000.40 | Stud, 04 dark yellow (3)                 | 1    |    |    |    |    | 10 |
| 5    | 25.1659.24 | Spares kit -UR16.025/UR25-32.03 (1) | 1    |    |    |    |    | 1  | 10   | 10.3230.00 | O-Ring, 3,53x7,52 mm Ni 70               | 2    |    |    |    |    | 10 |

(1) 25.1620.30 (2) 25.1620.35 (3) 25.1620.40 (4) 25.1620.45 (5) 25.1620.50 (6) 25.1620.55 (7) 25.1620.60 (8) 25.1620.65 (9) 25.1620.70 (10) 25.1620.80

## **P.A. SpA EQUIPAGGIAMENTI TECNICI DEL LAVAGGIO**

Via Milano, 13 42048 Rubiera - (RE) ITALY  
Tel +39 0522 623611 (ric aut) - Fax +39 0522 629600  
*Info@pa-etl.it - www.pa-etl.it*

---

**COMPANY WITH  
QUALITY SYSTEM  
CERTIFIED BY DNV  
= ISO 9001 =**