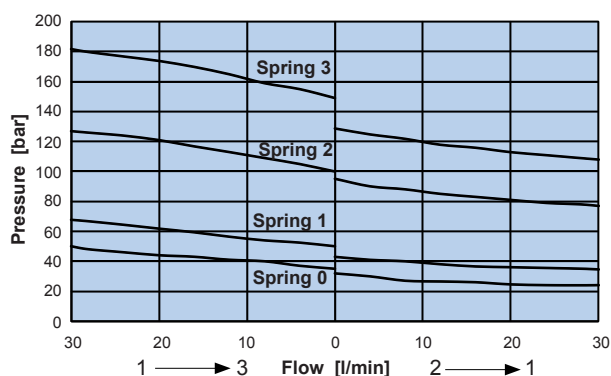
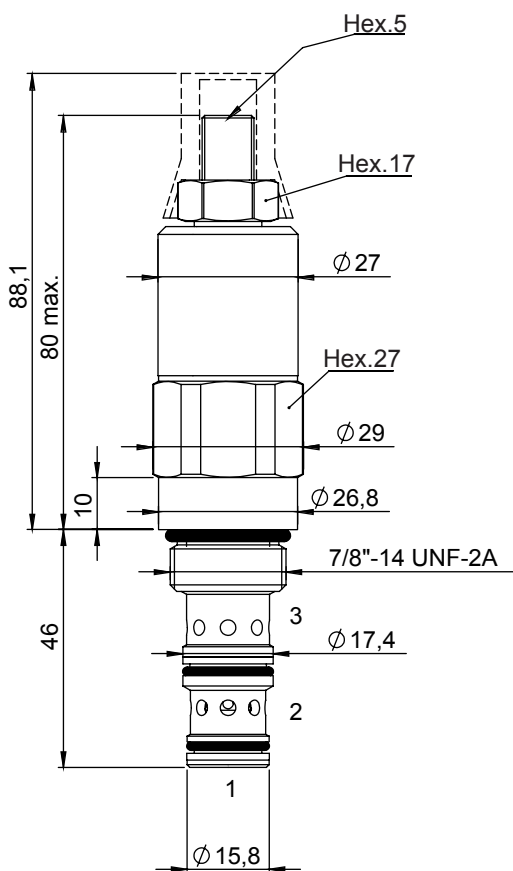
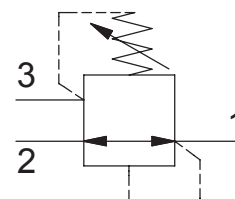


DIRECT ACTING PRESSURE REDUCING VALVE

- Flow **30 l/min**
- Max working pressure in 2 **350 bar**
- Max working pressure in 1 **170 bar**
- Max working pressure in 3 **1 bar**
- Seals **NBR**
- Cavity **C 330000**
- Cartridge tightening torque **40 Nm**
- Weight **0,31 Kg**
- Leakage with 350 bar in 2: **70 cc/min**
- Tamper proof cap **cod. 4029250280**



15

Ordering code

0 1 2 3 2 0 0 0

SPRINGS	0	1	2	3
Setting range [bar]	5 - 30	15 - 55	20 - 103	30 - 165
Pressure Increase [bar/turn]	5	8	20	30
Standard setting [bar]	25	50	100	160

