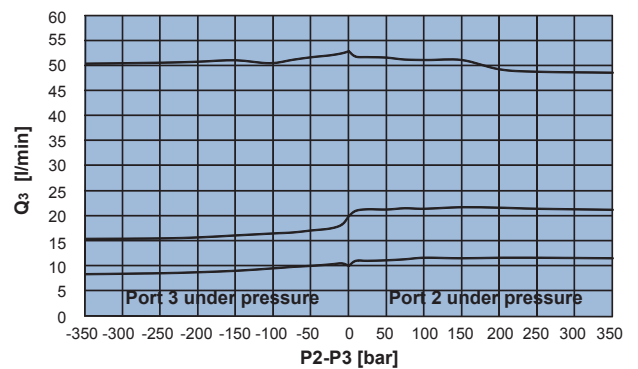
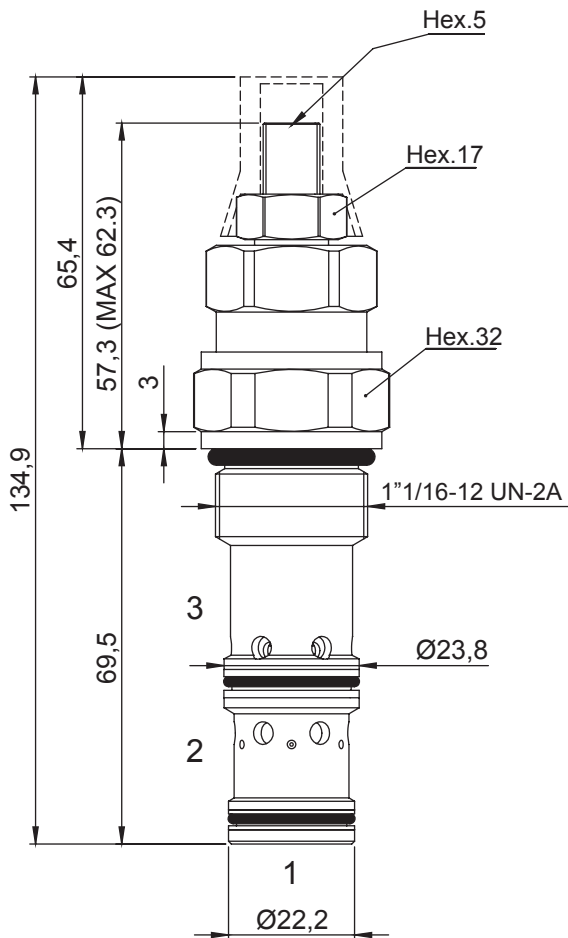
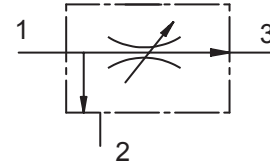
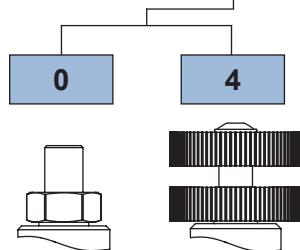


**3 WAY COMPENSATED FLOW CONTROL VALVE**

- Max Flow in (1)..... **90 l/min**
- Max Regulated Flow (3)..... **50 l/min**
- Max working pressure ..... **350 bar**
- Seals ..... **NBR and PTFE**
- Cavity ..... **C340000**
- Cartridge tightening torque..... **60 Nm**
- Weight..... **0,4 Kg**
- Tamper proof cap:..... **cod.4029250280**
- Cavity ..... **C340000** page **222**
- Body..... **171412** page **197**



Ordering code  
**0 3 2 4 0 0 0 [ ] 0 1**



**Screw      Handknob**  
**Adjustments**