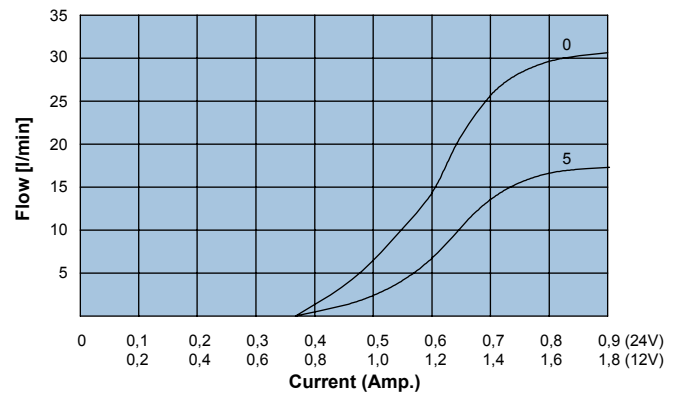
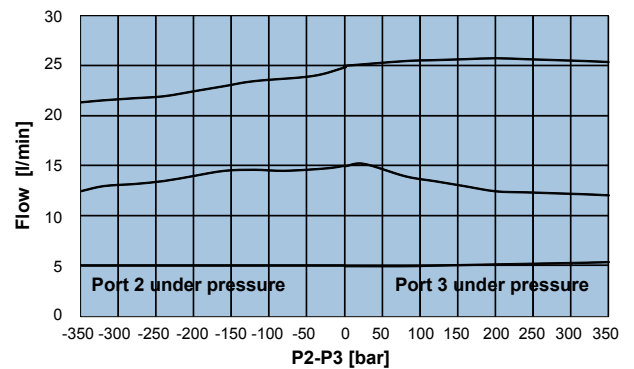
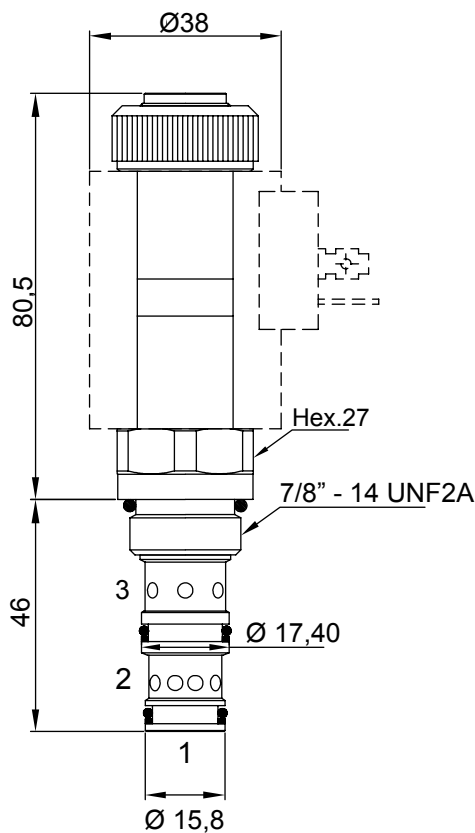
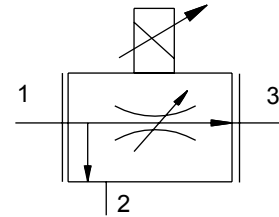


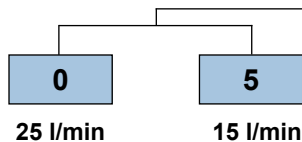
3 WAYS PROPORTIONAL FLOW CONTROL VALVE

- Max working flow in 1 **50 l/min**
- Max working pressure in 1:2:3 **250 bar**
- Leakage **150 cc/min**
- Seals **NBR**
- Cavity **C330000**
- Cartridge tightening torque **40 Nm**
- Ring nut tightening torque **5 Nm**
- Weight (with coil) **0,56 Kg**
- PWM **120 Hz**
- Hysteresis **5%**
- Max current at 24 Vcc **900mA**
- Max current at 12 Vcc **1800mA**
- Coil **CT-9800** to be ordered separately

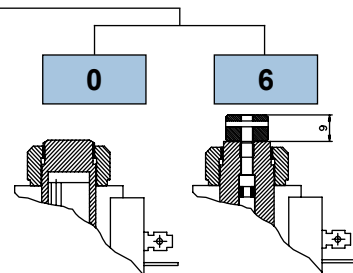


Ordering code

0 3 6 3 1 **0 1**



Flow range



No emergency Unscrew type