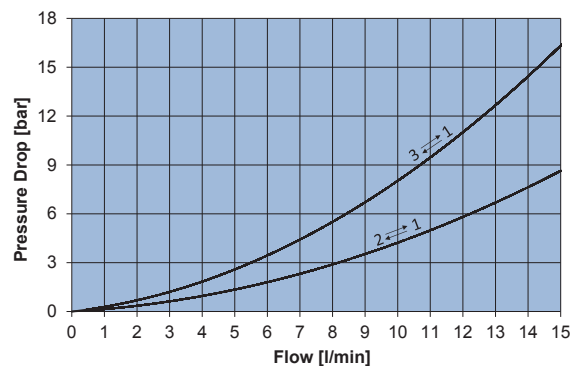
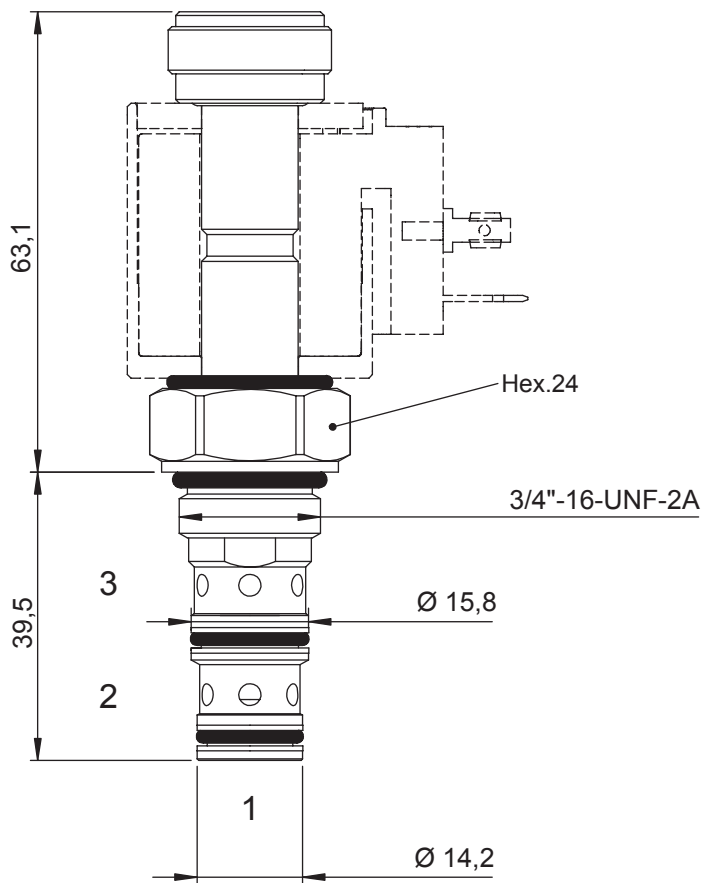
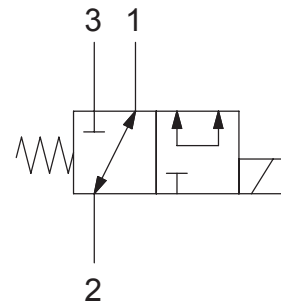


3 WAY 2 POSITION ELECTRIC SPOOL VALVE, DIRECT ACTING

- Max working flow (P in port 1) 7 l/min
- Max working flow (P in port 2) 15 l/min
- Max working flow (P in port 3) 15 l/min
- Max working pressure 250 bar
- Max Leakage at 250 bar 40 cc/min
- Seals NBR and PTFE
- Cartridge tightening torque 30 Nm
- Ring nut tightening torque 5 Nm
- Weight (with coil) 0,35 Kg
- Cavity **C320000** page 218
- Body **171212** page 187
- Coil (to be ordered separately) **09400** page 179



Ordering code

0 4 0 2 4 0 0 **0 0**

