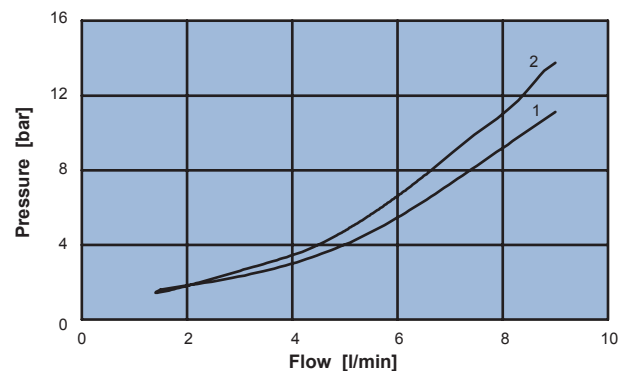
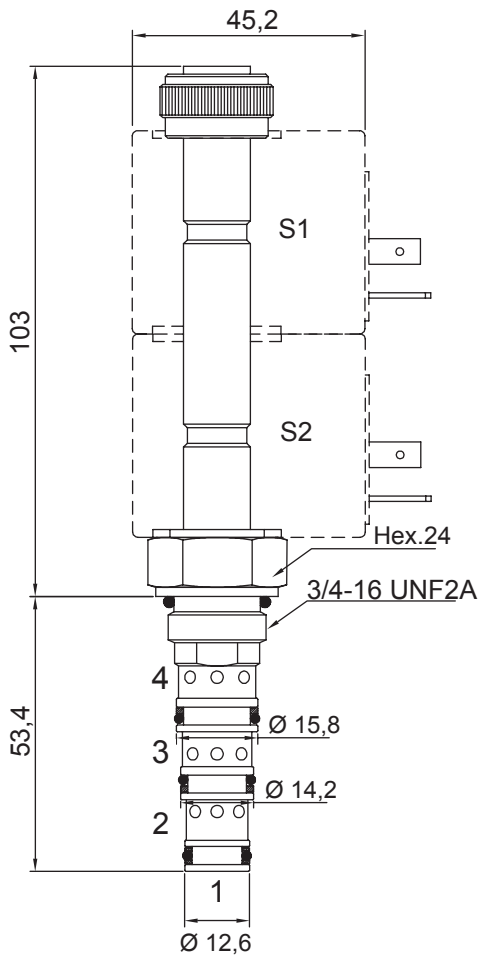
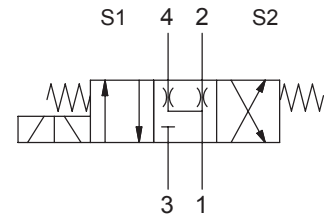
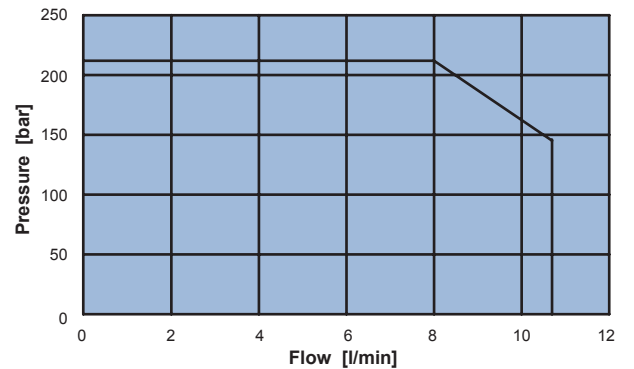


**4 WAY 3 POSITION ELECTRIC SPOOL VALVE, DIRECT ACTING**

- Flow ..... **10 l/min**
- Max working pressure in 2:3:4 ..... **210 bar**
- Max working pressure in 1 ..... **20 bar**
- Leakage ..... **60 cc/min**
- Seals ..... **NBR and PTFE**
- Cartridge tightening torque ..... **40 Nm**
- Ring nut tightening torque ..... **5 Nm**
- Weight (with coil) ..... **0,70 Kg**
- Cavity ..... **C420000** page 225
- Body ..... **171222** page 190
- Coil (to be ordered separately) ..... **09400** page 179



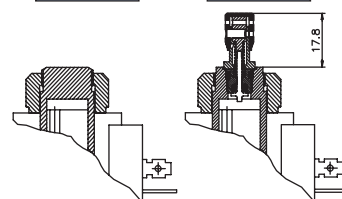
1 = Pressure drop from 2/4 to 3  
2 = Pressure drop from 3 to 2/4



Application limits from 3 in 2/4

**Ordering code**

**0 4 6 2 1 0 0 [ ] 0 0**



**No emergency**

**Push Button**