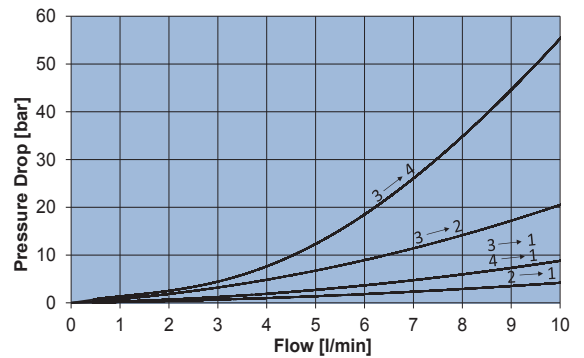
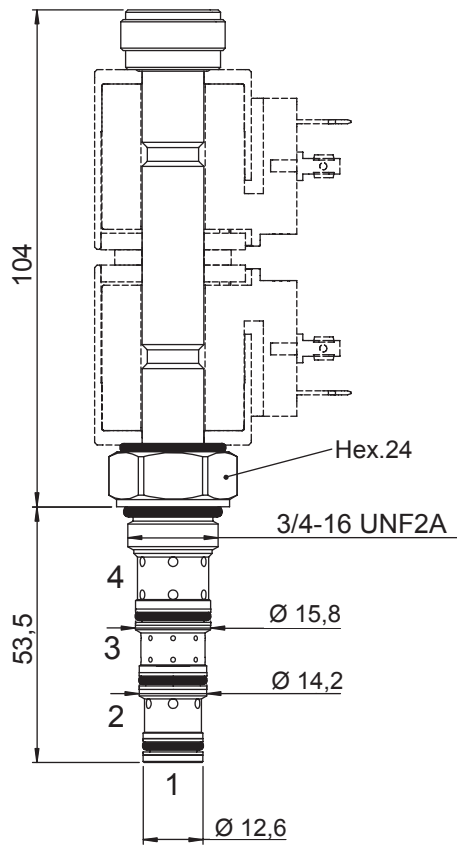
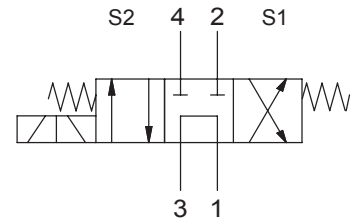


4 WAY 3 POSITION ELECTRIC SPOOL VALVE, DIRECT ACTING

- Flow **10 l/min**
- Max working pressure in 2:3:4 **210 bar**
- Max working pressure in 1 **20 bar**
- Leakage **40 cc/min**
- Seals **NBR and PTFE**
- Cartridge tightening torque **30 Nm**
- Ring nut tightening torque **5 Nm**
- Weight (with coil) **0,20 Kg**
- Cavity **C420000** page 225
- Body **171222** page 190
- Coil (to be ordered separately) **09400** page 179



Ordering code

0 4 6 2 3 0 0 [] 0 0

