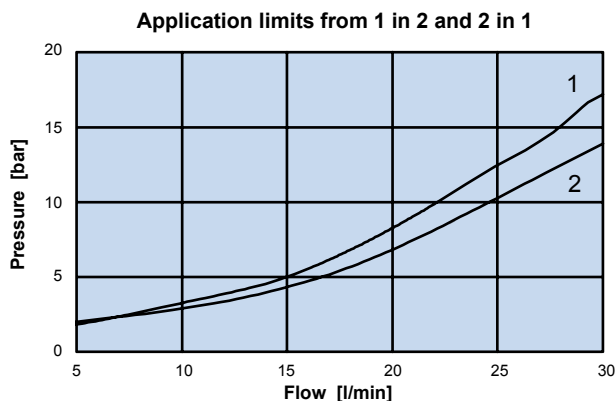
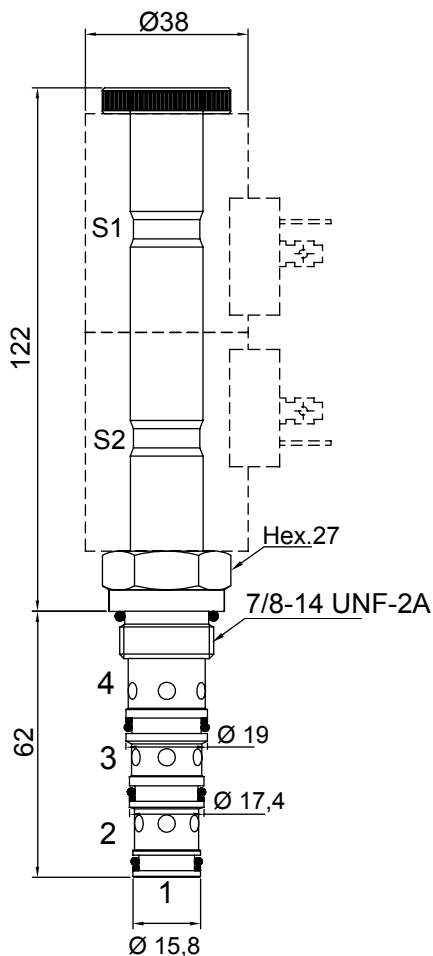
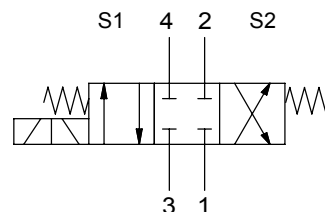
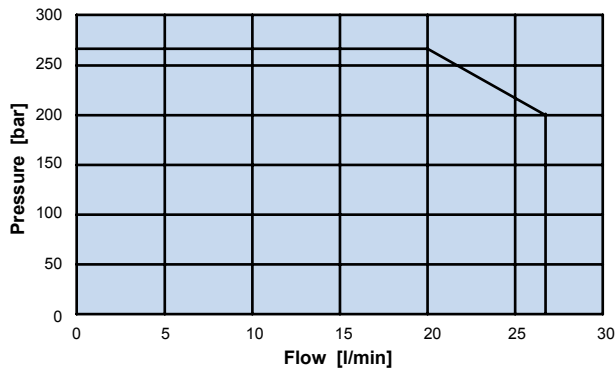


4 WAYS 3 POSITIONS ELECTRIC ON/OFF SPOOL VALVE DIRECT ACTING

- Flow **25 l/min**
- Max working pressure in 2:3:4 **250 bar**
- Max working pressure in 1 **20 bar**
- Leakage **100 cc/min**
- Seals **NBR**
- Cavity **C430000**
- Cartridge tightening torque **40 Nm**
- Ring nut tightening torque **5 Nm**
- Weight (with coil) **0,9 Kg**
- Coil **CT-9801** to be ordered separately



1 = Pressure drop graph from 3 to 2 or 4
2 = Pressure drop graph from 2 or 4 in 1



Application limits from 3 to 4 or 2

Ordering code

0 4 6 3 2 0 0 0 0

