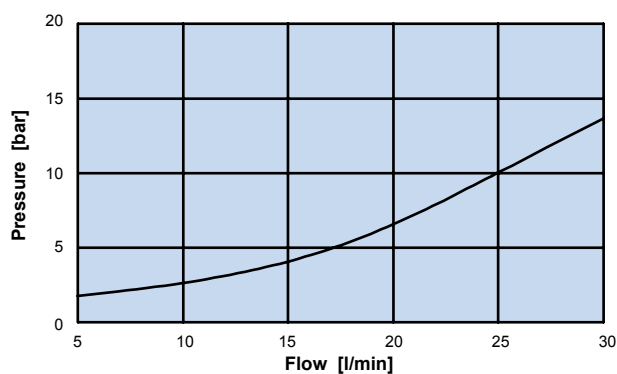
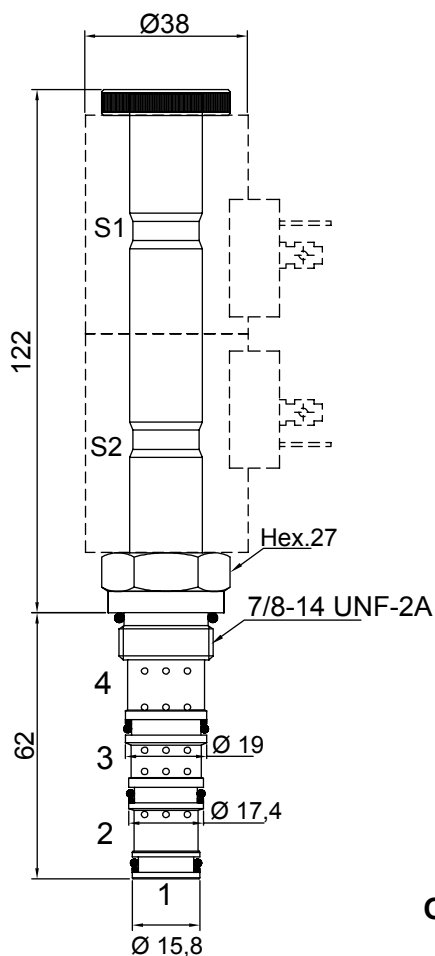
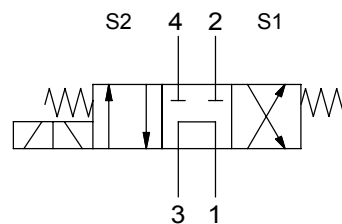


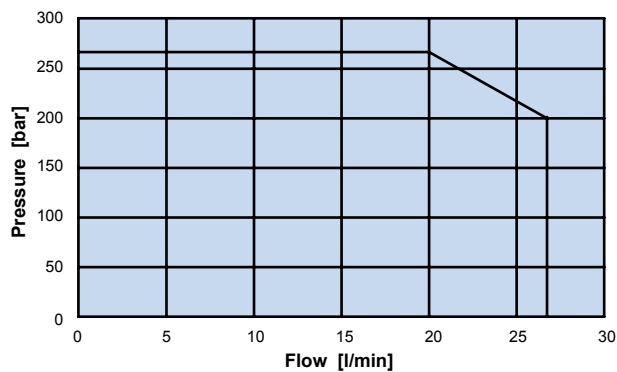
**4 WAYS 3 POSITIONS ELECTRIC ON/OFF SPOOL VALVE DIRECT ACTING**

- Flow ..... **25 l/min**
- Max working pressure in 2:3:4 ..... **250 bar**
- Max working pressure in 1 ..... **20 bar**
- Leakage ..... **100 cc/min**
- Seals ..... **NBR**
- Cavity ..... **C430000**
- Cartridge tightening torque ..... **40 Nm**
- Ring nut tightening torque ..... **5 Nm**
- Weight (with coil) ..... **0,9 Kg**
- Coil **CT-9801** to be ordered separately



1 = Pressure drop graph from 3 to 1

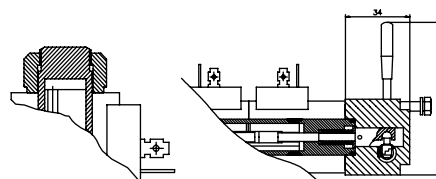
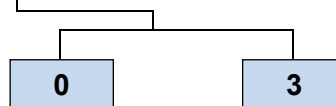
113



Application limits from 3 to 4 or 2

Ordering code

**0 4 6 3 3 0 0 0 0**



No emergency

Safety lever

