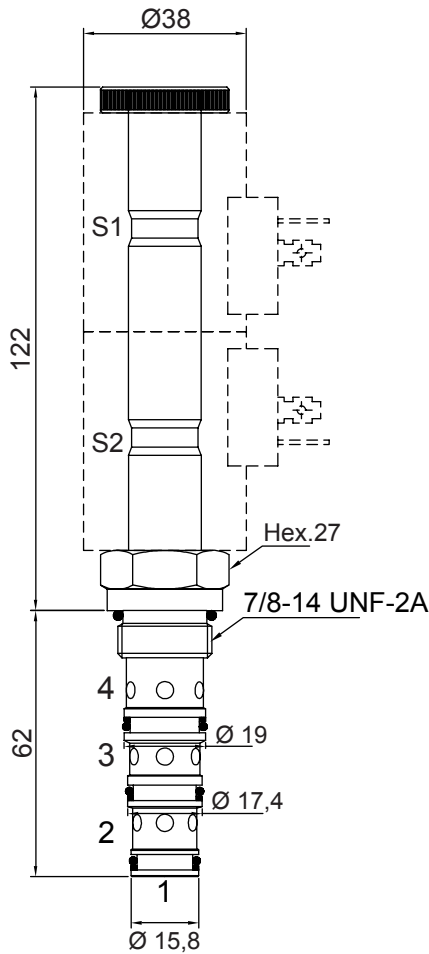
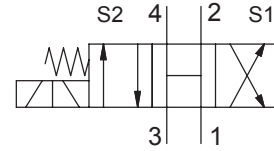


**4 WAYS 3 POSITIONS ELECTRIC ON/OFF SPOOL VALVE DIRECT ACTING**

- Flow ..... **25 l/min**
- Max working pressure in 2:3:4. .... **250 bar**
- Max working pressure in 1. .... **20 bar**
- Leakage ..... **100 cc/min**
- Seals ..... **NBR**
- Cavity ..... **C430000**
- Cartridge tightening torque. .... **40 Nm**
- Ring nut tightening torque ..... **5 Nm**
- Weight (with coil). .... **0,9 Kg**
- Coil **CT-9801** to be ordered separately



113

**Ordering code**

**0 4 6 3 4 0 0 [ ] 0 0**

