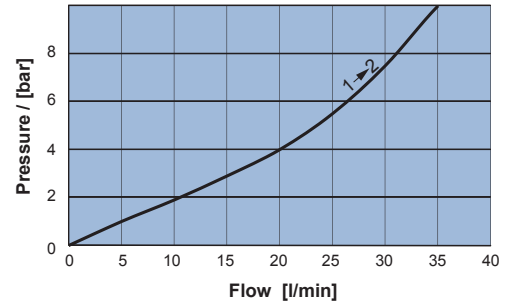
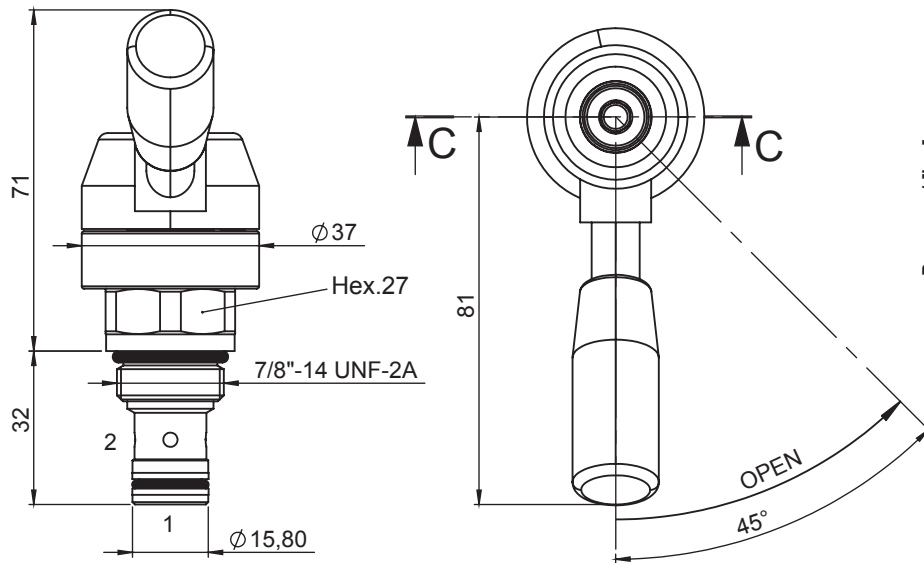
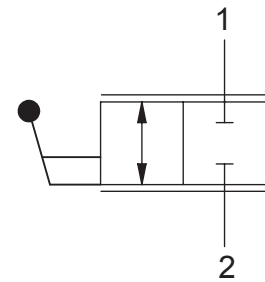


### 2 WAY 2 POSITION ROTARY SPOOL DIRECTIONAL VALVE

- Max Flow. . . . . **30 l/min**
- Max Pressure. . . . . **350 bar**
- Seals . . . . . **NBR and PTFE**
- Cartridge tightening torque. . . . . **50 Nm**
- Weight . . . . . **0,25 Kg**
- Cavity . . . . . **C230000** page 210
- Body. . . . . **171302** page 191

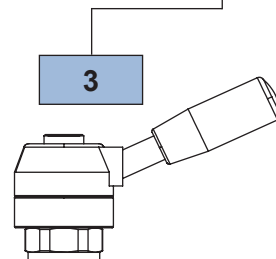


**Notes:**

- Valve regulation angle is 45° starting lever position can be set through CH6 nut.

**Ordering code**

**0 4 9 3 1 0 0    0 0**



**Hand lever  
frictioned**

