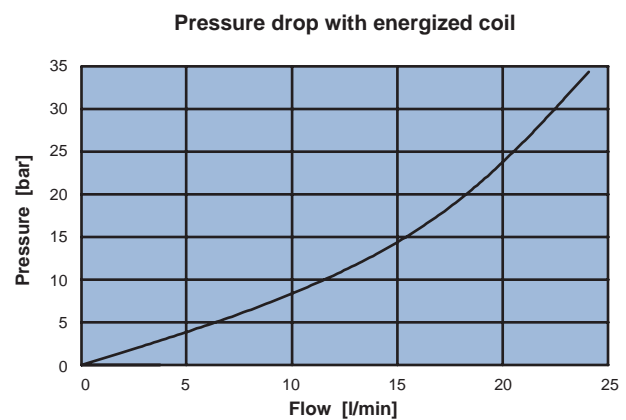
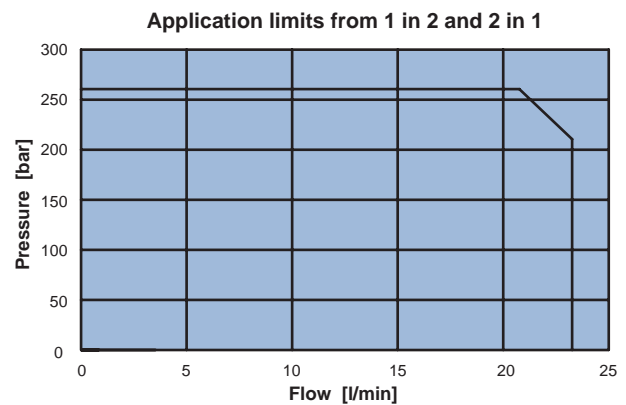
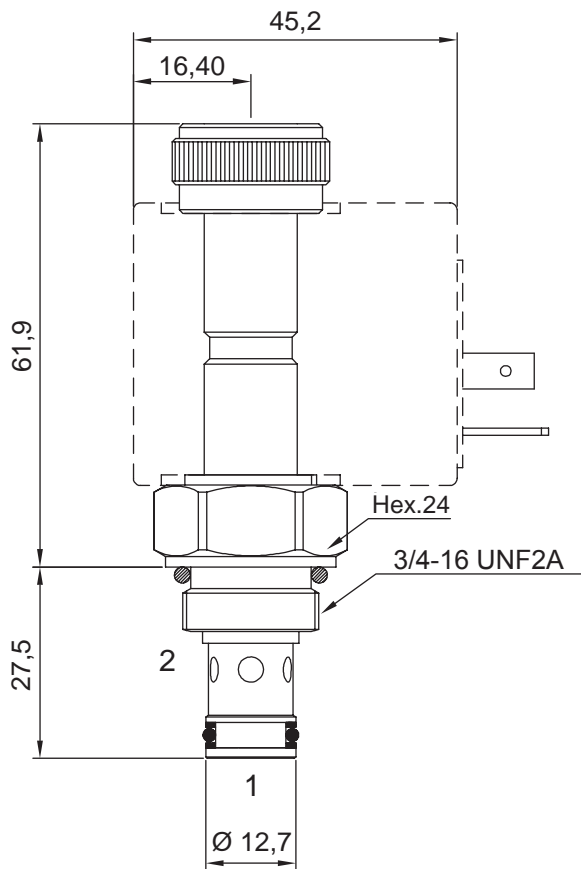
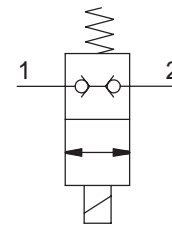


2 WAYS 2 POSITIONS ELECTRIC VALVE DIRECT ACTING POPPET OPERATED NC

- Flow **20 l/min**
- Max working pressure **250 bar**
- Leakage **0,25 cc/min**
- Seals **NBR**
- Cavity **C220000**
- Cartridge tightening torque **30 Nm**
- Ring nut tightening torque **5 Nm**
- Weight (with coil) **0,32 Kg**
- Coil **CT-9400** to be ordered separately



79

Ordering code

0 5 0 2 1 0 0 0 0

