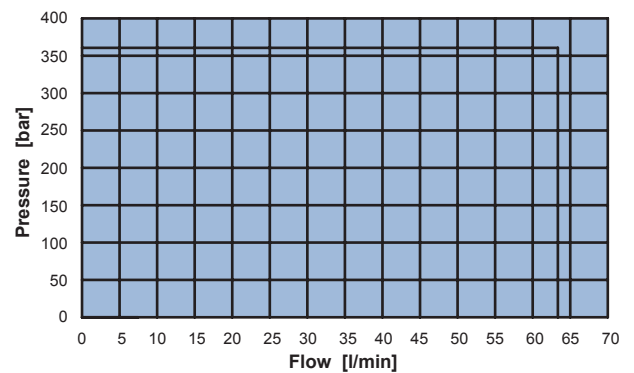
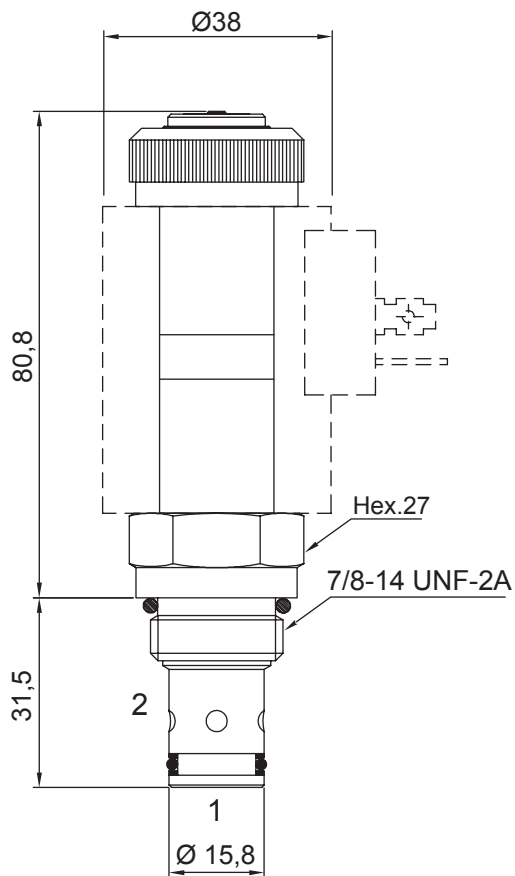
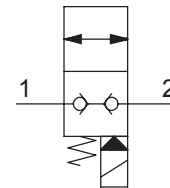
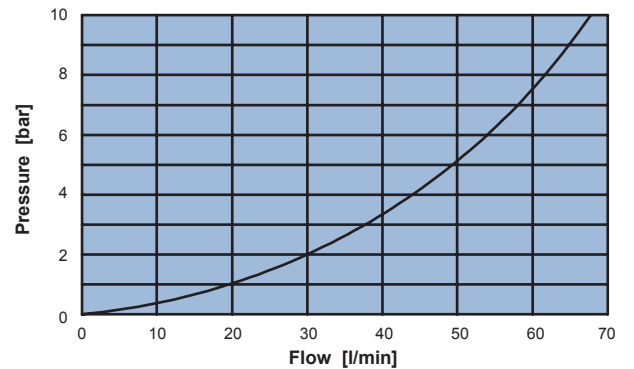


**2 WAY 2 POSITION ELECTRIC POPPET VALVE, PILOT OPERATED NC**

- Flow ..... **60 l/min**
- Max working pressure ..... **350 bar**
- Leakage ..... **0,25 cc/min**
- Seals ..... **NBR and PTFE**
- Cartridge tightening torque ..... **40 Nm**
- Ring nut tightening torque ..... **5 Nm**
- Weight (with coil) ..... **0,56 Kg**
- Cavity ..... **C230000** page 210
- Body ..... **171302** page 191
- Coil (to be ordered separately) ..... **09801** page 181



Application limits from 2 to 1 and 1 to 2

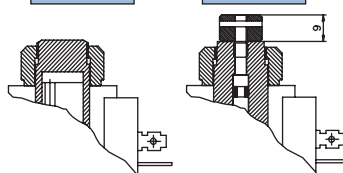


Pressure drop from 2 to 1 and from 1 to 2

**Ordering code**

**0 5 1 3 1 0 0 [ ] 0 0**

**0**                      **6**



**No emergency    Unscrew type**

