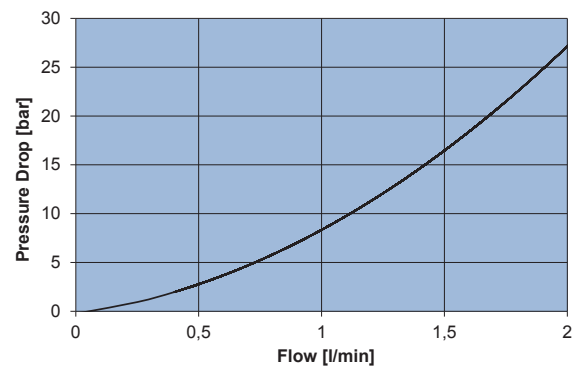
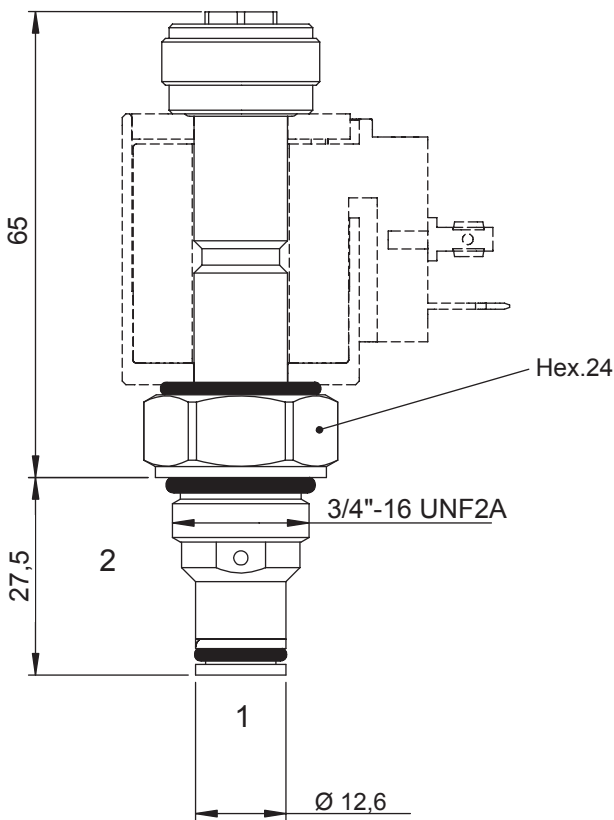
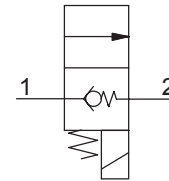


**2 WAY 2 POSITION ELECTRIC POPPET VALVE, DIRECT ACTING NC**

- Flow ..... **2 l/min**
- Max working pressure in 1 ..... **350 bar**
- Max working pressure in 2 ..... **20 bar**
- Leakage ..... **0,25 cc/min**
- Seals ..... **NBR and PTFE**
- Cartridge tightening torque ..... **30 Nm**
- Ring nut tightening torque ..... **5 Nm**
- Weight ..... **0,32 Kg**
- Cavity ..... **C220000** page 208
- Body ..... **171202** page 186
- Coil (to be ordered separately) ..... **09400** page 179

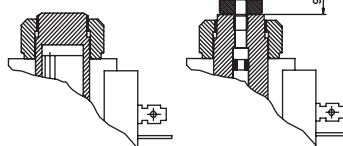


**Note:**  
- Check valve cracking pressure (1→2) > 350 bar.

**Ordering code**

**0 5 3 2 1 1 0 [ ] 0 0**

**0**      **6**



**No emergency      Unscrew type**