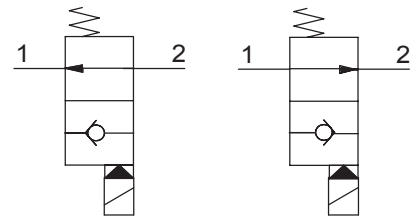
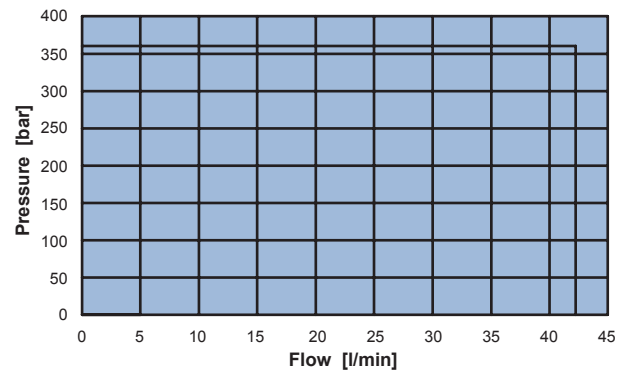
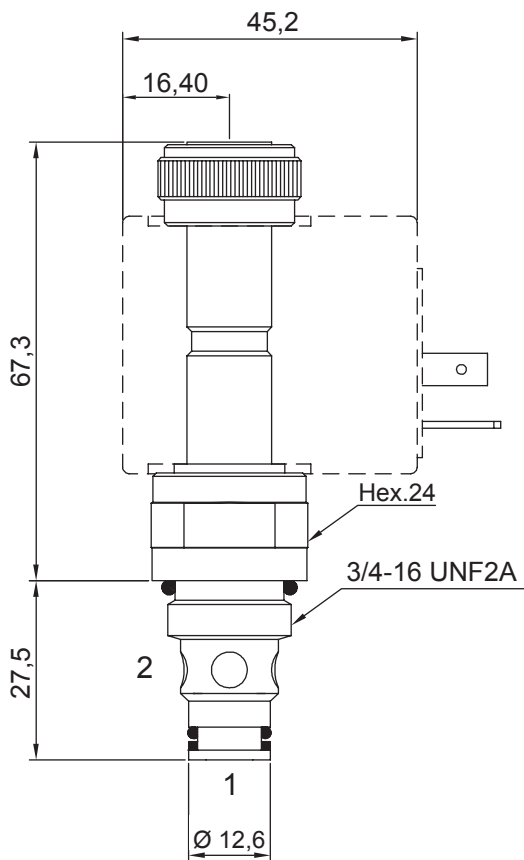


2 WAY 2 POSITION ELECTRIC POPPET VALVE, PILOT OPERATED NO

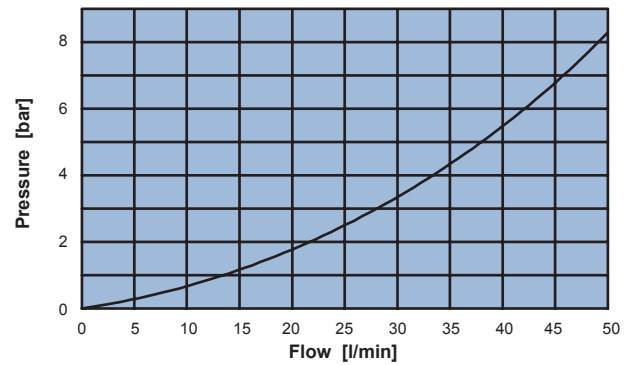
- Flow **40 l/min**
- Max working pressure **350 bar**
- Leakage **0,25 cc/min**
- Seals **NBR and PTFE**
- Cartridge tightening torque..... **30 Nm**
- Ring nut tightening torque..... **5 Nm**
- Weight (with coil)..... **0,32 Kg**
- Cavity **C220000** page 208
- Body..... **171202** page 186
- Coil (to be ordered separately) **09400** page 179



Scheme 0 **Scheme 1**



Application limits from 1 to 2 and 2 to 1



Pressure drop with energized coil

Ordering code

0 5 5 2 0 **0 0**

