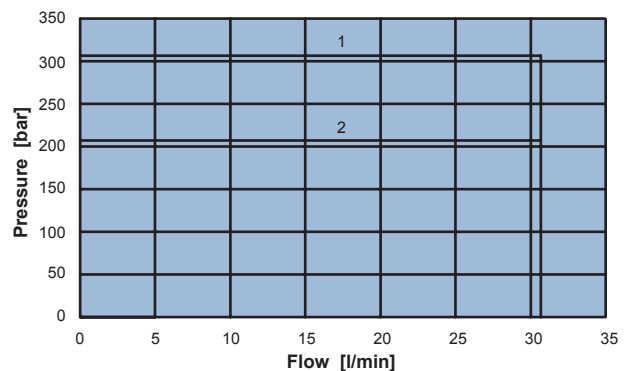
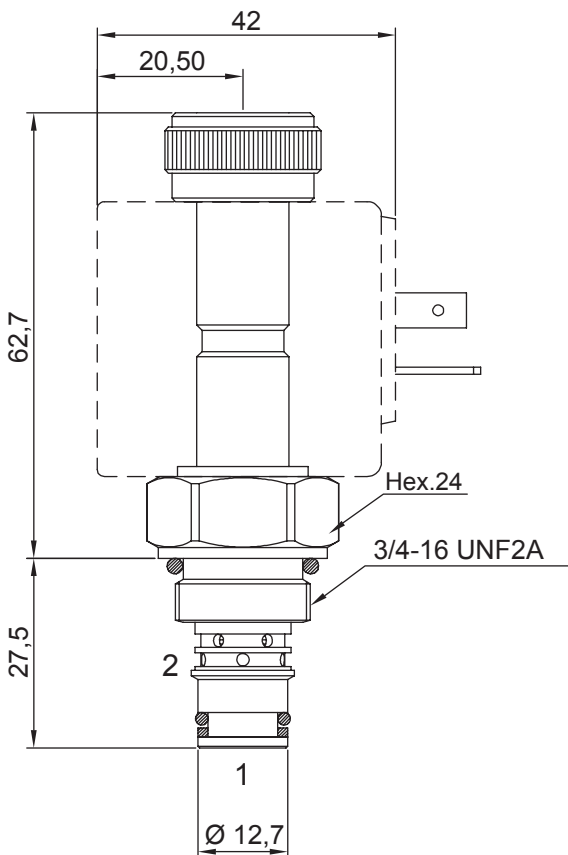
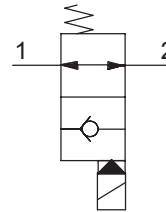
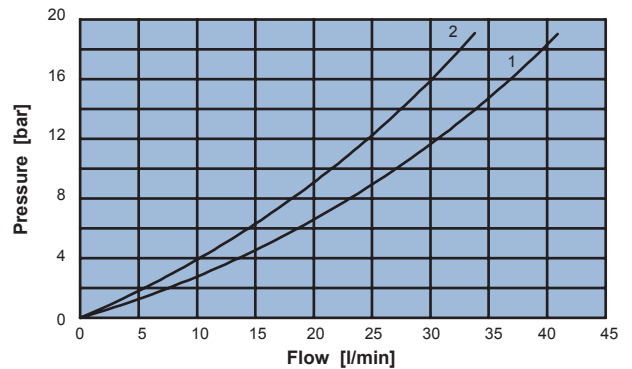


2 WAY 2 POSITION ELECTRIC POPPET VALVE, PILOT OPERATED NO

- Flow **30 l/min**
- Max working pressure **300 bar**
- Leakage **0,25 cc/min**
- Seals **NBR and PTFE**
- Cartridge tightening torque **30 Nm**
- Ring nut tightening torque **5 Nm**
- Weight (with coil) **0,32 Kg**
- Filter **280 micron**
- Cavity **C220000** page 208
- Body **171202** page 186
- Coil (to be ordered separately) **09300** page 178
 09400 page 179



1 = Application limits from 2 to 1 without filter
2 = Application limits with filter



1 = Pressure drop from 2 to 1 without filter
2 = Pressure drop from 2 to 1 with filter

Ordering code

0 5 6 2 5 0 0 0

