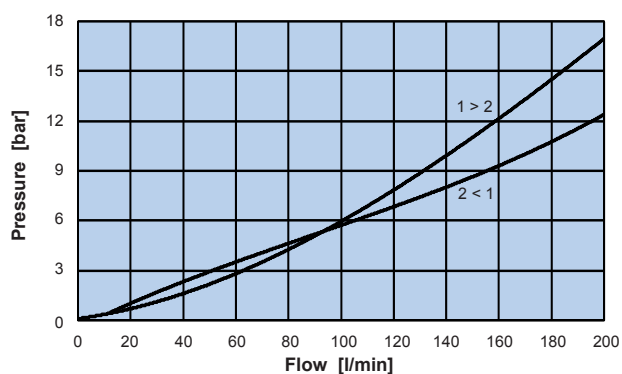
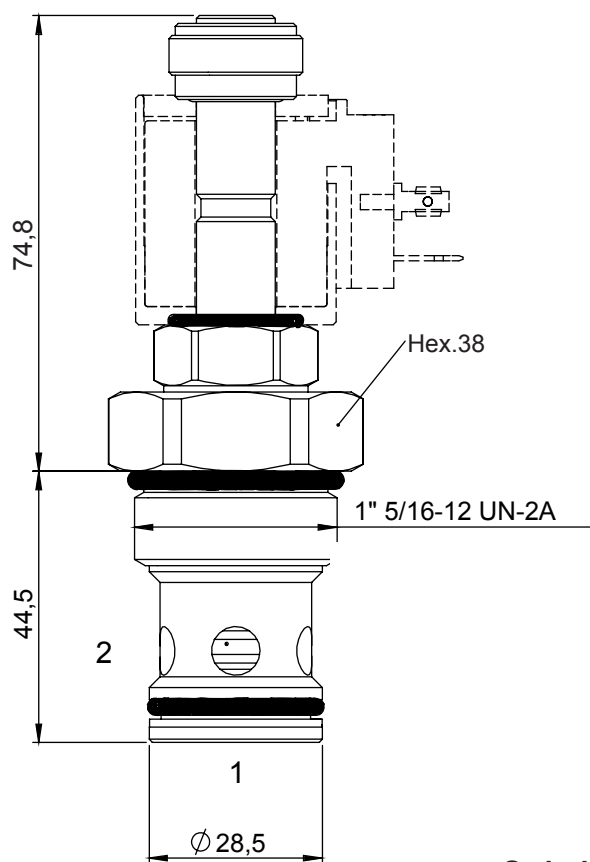
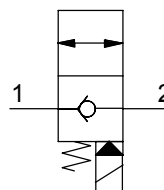


2 WAYS 2 POSITIONS ELECTRIC VALVE, PILOT POPPET OPERATED NC

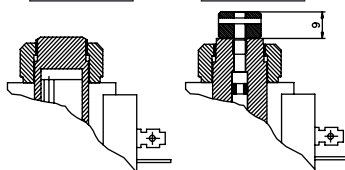
- Flow **200 l/min**
- Max working pressure **350 bar**
- Leakage **0,25 cc/min**
- Seals **NBR**
- Cavity **C250000**
- Cartridge tightening torque **65 Nm**
- Ring nut tightening torque **5 Nm**
- Weight (with coil) **0,58 Kg**
- Coil **CT-9400** to be ordered separately



87

Ordering code

0 5 6 5 1 0 0 [] 0 0



No emergency Unscrew type

