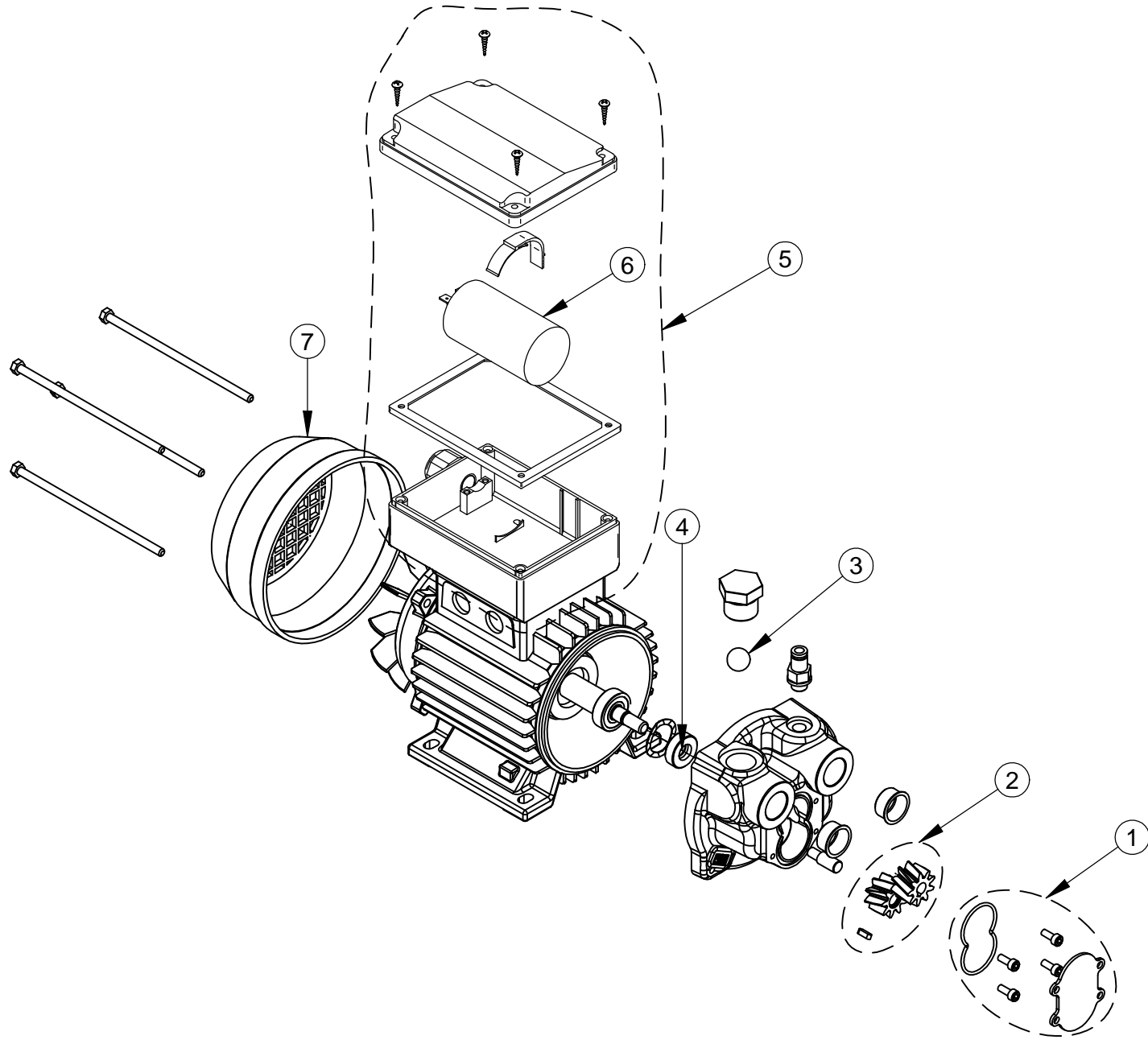


PIUSI

**POMPA 230V/50HZ
VACUBOX**

LR_P00054





PIUSI S.p.A.
 Via Pacinotti Z.I. Rangavino
 46029 SUZZARA (Mantova) Italy
 Tel. +39-0376.534561
 Fax. +39-0376.536393
 e-mail: piusi@piusi.com

Cap.Soc. € 516.456,00 i.v.
 C.F./P.IVA 01869920205
 Iscriz. R.I. MN01869920205
 Meccan. MN 017110
 R.E.A. MN 204928
 V.A.T. IT 01869920205

www.piusi.com
 CERTIFIED
 UNI-EN ISO 9001

Spare Parts (05 October 2012)

Material Code Model
 ⓘ Info Documents of Material
F00314000 **VISCOMAT 60/2 230V (NO BYPASS)**
 ⓘ **LR_P00054.pdf**

Spare Parts List cod. F00314000 VISCOMAT 60/2 230V (NO BYPASS)
 Status : **Item in Production**

Pos.	Material Code	Description	QT	UM
		ⓘ Info Documents of Material		
0001	R16826000	KIT CHAMBER COVER	1	PC
0002	R16825000	KIT GEARS	1	PC
0003	R16145000	RUBBER SPHERE 9/16" (5 pcs)	1	PC
0004	R16140000	DOUBLE-LIP SEAL D.9x22x7	1	PC
0005	R16861000	KIT TERMINAL BOX VACUBOX	1	PC
0006	R16701000	UL10mf 36x58mm M8 CONDENSER	1	PC

Prices and data are not binding and can be changed without notice