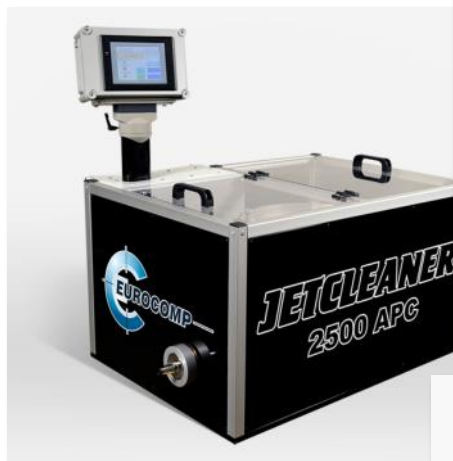


Product list

Autumn 2014



www.eurocomp.se



EXPERTS IN INTERNAL CLEANING OF HOSES AND TUBES



JETCLEANER Classic Starter kit

The kit for those who want to try the JETCLEANER system. For 7 different hose dimensions, ranging from 1/4" to 1 1/4". The set comes in a protective aluminum carrying case with the JETCLEANER Classic gun, nozzles, projectiles and a projectile collector.

Art. No. SK-8030

Call us at +46 (0)226-585 85 or visit www.eurocomp.se for more information and ordering.

Index

Contact information	4
Company presentation	5
Eurocomp's method	6

Cleaning projectiles

Standard 400	7-8
EC Flexible	9-10
Super Standard	11
Abrasive	12
Grinding	13

Guns, nozzles and launch stations

JETCLEANER Mini	14-16
JETCLEANER Classic	17-21
JETCLEANER Cobra	22-24
JETCLEANER PLC launching stations	25-26

Accessories

Alligator (XXL nozzles)	21
Projectile Control	27
Bench stand for JETCLEANER Classic	27
Projectile collector	27
Carrying cases for JETCLEANER sets	27

Spare parts

Spare parts JETCLEANER Mini	28
Spare parts JETCLEANER Classic	29
Spare parts JETCLEANER Cobra	30



EUROCOMP AB

Prästgatan 39
774 35 Avesta
SWEDEN

Telephone:	+46 (0)226- 585 85
Email:	info@eurocomp.se
Order:	order@eurocomp.se

Corporate identity No.	556326-2343
VAT No.	SE556326234301
Bank giro service	5505-3284
Postal giro service	164922-7

Our goal is simple

Through the development of products with high technical and functional quality, it is our goal to be the best in the industry. With our extensive experience (longest in the world actually) and with fast and efficient personal service, we want to do the best to provide our customers with products and equipment for internal cleaning of hoses and tubing.

Eurocomp—The original

Eurocomp AB has operated since 1988 under the current owners and management. The company's development has been characterized by a long and purposeful expansion based off of the foundation set by the innovative JETCLEANER system.

Back in the late 1970s Eddie Schef invented and marketed the first ever projectiles for internal cleaning of hoses and tubing. Today's projectiles from Eurocomp is based on that research and experience, thus original to all subsequent types of cleaning projectiles on the market.

The JETCLEANER line of products consists of guns and projectiles for internal cleaning of pipes and tubing and has from the outset been developed and manufactured by Eurocomp in Avesta, Sweden. In recent years, Eurocomp AB has grown into an established company with a leading market position in its niche. The products have evolved from simple hand tools to semi-and fully automated machines and the projectiles from a single projectile back in the 70's, to today's five different multi purpose projectiles.

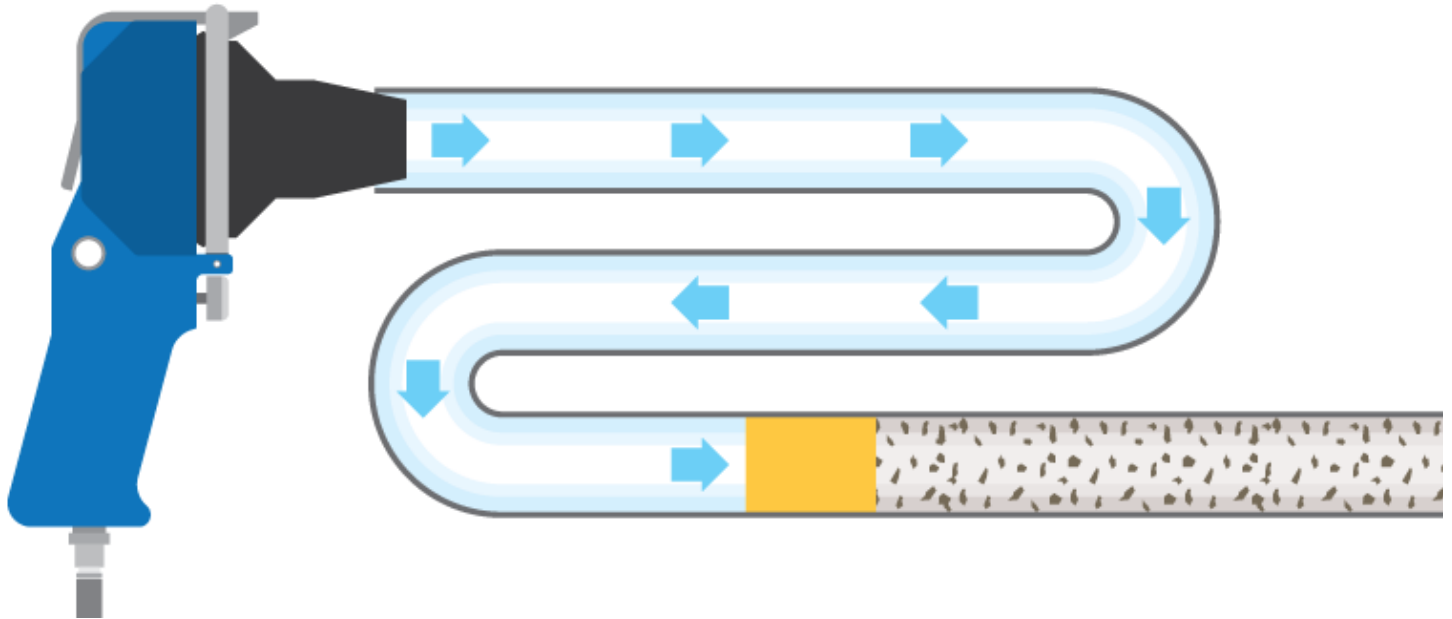
ISO cleanliness code

Today we can clean hoses and tubes in accordance with cleanliness code ISO 4406, ISO 4407 to ISO 15/13/10 depending on the number of projectiles used.

Eddie Schef
Eurocomp AB

NEVER COMPROMISE ON QUALITY.
JETCLEANER SYSTEM - MADE AND ASSEMBLED IN SWEDEN.





A single projectile is all it takes

The JETCLEANER system is built on the simple principle that a dry projectile is forced with approximately 115 psi (8 bar) of air pressure through a tube or pipe, removing the dirt and particles on the inside. Depending on the capacity of the air compressor, pipes and tubes with lengths of several hundred feet can be cleaned. The JETCLEANER systems documented efficiency is in accordance with the ISO 4406 and ISO 4407 cleanliness code of particulate contamination.

You can find our products everywhere

In the early years the JETCLEANER system was primarily used by pneumatic and hydraulic companies. But with the continued development and broader range of products, the method was quickly adopted by a variety of industries such as dairy plants, breweries, heating and sanitation, offshore, medical companies and nuclear power stations.

Choosing the right projectile

Depending on the characteristics of the pipe or tube you're cleaning, picking the right projectile is vital for a good result. What are the dimensions, what kind of dirt are you removing, what material is the tube or pipe and how many bends does it have?

Eurocomp offers five different projectiles in various sizes and with different features. The soft and flexible projectiles absorb the particles and wipe the tube clean, while the rugged projectiles grind and scrape the dirt away. If you're using an abrasive or grinding projectile, we recommend that you finish with a soft projectile to clean up any remaining particles.

Guns and launching stations

Whether you need a permanent launching station for a production line, a durable gun for regular on-site maintenance or a lightweight gun in a mobile set for the occasional use, we've got you covered. Eurocomp has developed a wide selection of guns and launching stations to suit your every need.

Projectiles - Standard 400



- Made of medium-hard, flexible polyurethane. The material is homogeneous and does not release fibers.
- Withstands 50% compression.
- Free from PVC, PTFE and Silicone.
- Handles any bends, spirals and smaller reductions. Also used as coupling projectile.
- When selecting the size of the projectile, it is our recommendation to use a projectile that is 20% larger than the inner diameter of the hose or tube. Alternatively, make your own evaluation of the best possible results.
- **News!** New amount of projectiles per package.

Standard 400

Art. No.	Rec. for inner diameter (mm)	Rec. for inner diameter (inch)	Number per package
04-400	2- 3mm		100st
05-400	2,5- 4mm	1/8"	100st
07-400	3,5- 5mm	3/16"	100st
08-400	4- 6mm		100st
09-400	4,5- 7mm	1/4"	100st
10-400	5- 8mm		100st
12-400	6- 9mm	5/16"	100st
14-400	7- 11mm	3/8"	100st
16-400	8- 12mm		100st
18-400	9- 14mm	1/2"	100st
20-400	10- 15mm		100st
22-400	11- 17mm	5/8"	50st
24-400	12- 18mm		50st
26-400	13- 19mm	3/4"	50st
28-400	14- 21mm		50st
30-400	15- 23mm		50st
33-400	16,5- 25mm	1"	50st
35-400	17,5- 27mm		20st
38-400	19- 28mm		20st
40-400	20- 31mm	1 1/4"	20st
45-400	22- 35mm		20st
48-400	24- 37mm		20st
50-400	25- 40mm	1 1/2"	20st
55-400	27- 45mm		20st
60-400	30- 50mm	Cobra* 2"	20st
65-400	32- 55mm	2"	20st

Standard 400

Art. No.	Rec. for inner diameter (mm)	Rec. for inner diameter (inch)	Number per package
70-400	56- 60mm	2 1/4"	10st
75-400	61- 65mm	2 1/2"	10st
80-400	66- 70mm	2 3/4"	10st
85-400	71- 75mm		10st
90-400	76- 80mm	3"	10st
95-400	81- 84mm	3 1/4"	10st
100-400	85- 88mm	3 1/4"	5st
105-400	88- 91mm	3 1/2"	5st
110-400	91- 95mm	3 3/4"	5st
115-400	96- 100mm		5st
120-400	101- 105mm	4"	5st
125-400	106- 110mm	4 1/4"	5st
130-400	111- 115mm	4 1/2"	5st
140-400	115- 120mm	4 3/4"	5st
150-400	125- 130mm	5"	5st
160-400	135- 140mm	5 1/2"	5st
170-400	145- 150mm	6"	5st
180-400	155- 160mm	6 1/2"	5st

* Recommended for JETCLEANER Cobra 2" hose nozzle.

Projectiles - Standard 400



- Made of medium-hard, flexible polyurethane. The material is homogeneous and does not release fibers.
- Withstands 50% compression.
- Free from PVC, PTFE and Silicone.
- Handles any bends, spirals and smaller reductions. Also used as coupling projectile.
- When selecting the size of the projectile, it is our recommendation to use a projectile that is 20% larger than the inner diameter of the hose or tube. Alternatively, make your own evaluation of the best possible results.
- **News!** New amount of projectiles per package.

Standard 400 - XL packaging

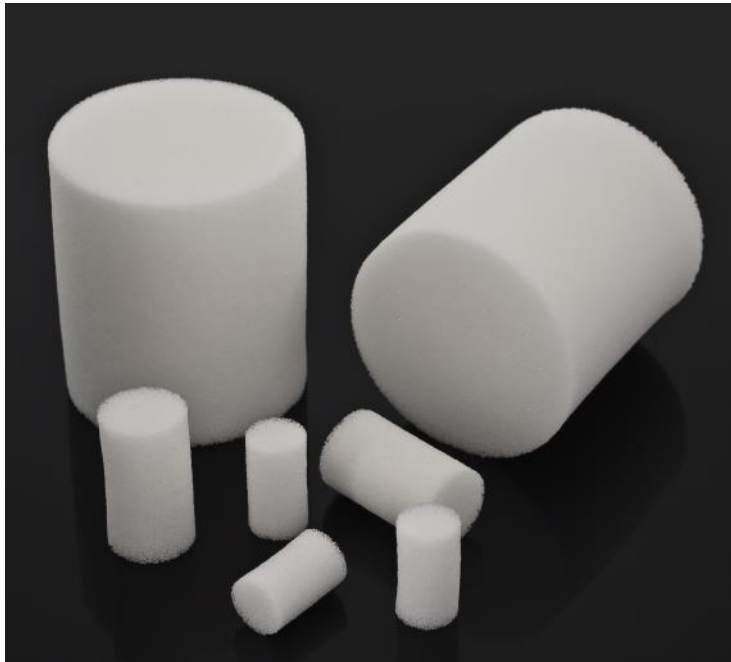
Art. No.	Rec. for inner diameter (mm)	Rec. for inner diameter (inch)	Number per package
04-400-XL	2- 3mm		2 000st
05-400-XL	2,5- 4mm	1/8"	2 000st
07-400-XL	3,5- 5mm	3/16"	2 000st
08-400-XL	4- 6mm		2 000st
09-400-XL	4,5- 7mm	1/4"	2 000st
10-400-XL	5- 8mm		2 000st
12-400-XL	6- 9mm	5/16"	2 000st
14-400-XL	7- 11mm	3/8"	2 000st
16-400-XL	8- 12mm		2 000st
18-400-XL	9- 14mm	1/2"	2 000st
20-400-XL	10- 15mm		2 000st
22-400-XL	11- 17mm	5/8"	2 000st
24-400-XL	12- 18mm		2 000st
26-400-XL	13- 19mm	3/4"	1 000st
28-400-XL	14- 21mm		1 000st
30-400-XL	15- 23mm		1 000st
33-400-XL	16,5- 25mm	1"	1 000st
35-400-XL	17,5- 27mm		1 000st
38-400-XL	19- 28mm		1 000st
40-400-XL	20- 31mm	1 1/4"	250st
45-400-XL	22- 35mm		250st
48-400-XL	24- 37mm		250st
50-400-XL	25- 40mm	1 1/2"	200st
55-400-XL	27- 45mm		200st
60-400-XL	30- 50mm	Cobra* 2"	200st
65-400-XL	32- 55mm	2"	100st

* Recommended for JETCLEANER Cobra 2" hose nozzle.

Standard 400 - XXL packaging

Art. No.	Rec. for inner diameter (mm)	Rec. for inner diameter (inch)	Number per package
04-400-XXL	2- 3mm		10 000st
05-400-XXL	2,5- 4mm	1/8"	10 000st
07-400-XXL	3,5- 5mm	3/16"	10 000st
08-400-XXL	4- 6mm		10 000st
09-400-XXL	4,5- 7mm	1/4"	10 000st
10-400-XXL	5- 8mm		10 000st
12-400-XXL	6- 9mm	5/16"	10 000st
14-400-XXL	7- 11mm	3/8"	10 000st
16-400-XXL	8- 12mm		10 000st
18-400-XXL	9- 14mm	1/2"	10 000st
20-400-XXL	10- 15mm		5 000st
22-400-XXL	11- 17mm	5/8"	5 000st
24-400-XXL	12- 18mm		5 000st
26-400-XXL	13- 19mm	3/4"	5 000st
28-400-XXL	14- 21mm		3 000st
30-400-XXL	15- 23mm		3 000st
33-400-XXL	16,5- 25mm	1"	3 000st
35-400-XXL	17,5- 27mm		1 500st
38-400-XXL	19- 28mm		1 500st
40-400-XXL	20- 31mm	1 1/4"	1 500st
45-400-XXL	22- 35mm		1 000st
48-400-XXL	24- 37mm		1 000st
50-400-XXL	25- 40mm	1 1/2"	1 000st
55-400-XXL	27- 45mm		500st
60-400-XXL	30- 50mm	Cobra* 2"	500st
65-400-XXL	32- 55mm	2"	500st

Projectiles - EC Flexible 060



- Made of soft, flexible polyurethane in quality 060. The material is homogeneous and does not release fibers.
- Meets cleanliness code of particulate contamination ISO 4406 and ISO 4407 down to ISO 15/13/10 with a projectile shot from each direction.
- Withstands 50% compression.
- Free from PVC, PTFE and Silicone.
- Handles any bends, spirals and greater reductions. Also used as coupling projectile.
- When selecting the size of the projectile, it is our recommendation to use a projectile that is 20% larger than the inner diameter of the hose or tube. Alternatively, make your own evaluation of the best possible results.
- **News!** New amount of projectiles per package.

EC Flexible 060

Art. No.	Rec. for inner diameter (mm)	Rec. for inner diameter (inch)	Number per package
04-060	2- 3mm		100st
05-060	2,5- 4mm	1/8"	100st
07-060	3,5- 5mm	3/16"	100st
08-060	4- 6mm		100st
09-060	4,5- 7mm	1/4"	100st
10-060	5- 8mm		100st
12-060	6- 9mm	5/16"	100st
14-060	7- 11mm	3/8"	100st
16-060	8- 12mm		100st
18-060	9- 14mm	1/2"	100st
20-060	10- 15mm		100st

22-060	11- 17mm	5/8"	50st
24-060	12- 18mm		50st
26-060	13- 19mm	3/4"	50st
28-060	14- 21mm		50st
30-060	15- 23mm		50st
33-060	16,5- 25mm	1"	50st

35-060	17,5- 27mm		20st
38-060	19- 28mm		20st
40-060	20- 31mm	1 1/4"	20st
45-060	22- 35mm		20st
48-060	24- 37mm		20st
50-060	25- 40mm	1 1/2"	20st
55-060	27- 45mm		20st
60-060	30- 50mm	Cobra* 2"	20st
65-060	32- 55mm	2"	20st

EC Flexible 060

Art. No.	Rec. for inner diameter (mm)	Rec. for inner diameter (inch)	Number per package
70-060	42- 60mm	2 1/4"	10st
75-060	45- 65mm	2 1/2"	10st
80-060	48- 70mm	2 3/4"	10st
85-060	51- 75mm	3"	10st
90-060	54- 80mm	3"	10st
95-060	57- 85mm	3 1/4"	10st

100-060	70- 90mm	3 1/4"	5st
105-060	73- 95mm	3 1/2"	5st
110-060	77- 100mm	3 3/4"	5st
115-060	80- 105mm	4"	5st
120-060	84- 110mm	4"	5st
125-060	87- 115mm	4 1/4"	5st
130-060	91- 120mm	4 1/2"	5st
140-060	98- 130mm	4 3/4"	5st
150-060	105- 140mm	5"	5st
160-060	112- 150mm	5 1/2"	5st
170-060	119- 160mm	6"	5st
180-060	126- 170mm	6 1/2"	5st

* Recommended for JETCLEANER Cobra 2" hose nozzle.

Projectiles - EC Flexible 060



- Made of soft, flexible polyurethane in quality 060. The material is homogeneous and does not release fibers.
- Meets cleanliness code of particulate contamination ISO 4406 and ISO 4407 down to ISO 15/13/10 with a projectile shot from each direction.
- Withstands 50% compression.
- Free from PVC, PTFE and Silicone.
- Handles any bends, spirals and greater reductions. Also used as coupling projectile.
- When selecting the size of the projectile, it is our recommendation to use a projectile that is 20% larger than the inner diameter of the hose or tube. Alternatively, make your own evaluation of the best possible results.
- **News! New amount of projectiles per package.**

EC Flexible 060 - XL packaging

Art. No.	Rec. for inner diameter (mm)	Rec. for inner diameter (inch)	Number per package
04-060-XL	2- 3mm		2 000st
05-060-XL	2,5- 4mm	1/8"	2 000st
07-060-XL	3,5- 5mm	3/16"	2 000st
08-060-XL	4- 6mm		2 000st
09-060-XL	4,5- 7mm	1/4"	2 000st
10-060-XL	5- 8mm		2 000st
12-060-XL	6- 9mm	5/16"	2 000st
14-060-XL	7- 11mm	3/8"	2 000st
16-060-XL	8- 12mm		2 000st
18-060-XL	9- 14mm	1/2"	2 000st
20-060-XL	10- 15mm		2 000st
22-060-XL	11- 17mm	5/8"	2 000st
24-060-XL	12- 18mm		2 000st
26-060-XL	13- 19mm	3/4"	1 000st
28-060-XL	14- 21mm		1 000st
30-060-XL	15- 23mm		1 000st
33-060-XL	16,5- 25mm	1"	1 000st
35-060-XL	17,5- 27mm		1 000st
38-060-XL	19- 28mm		1 000st
40-060-XL	20- 31mm	1 1/4"	250st
45-060-XL	22- 35mm		250st
48-060-XL	24- 37mm		250st
50-060-XL	25- 40mm	1 1/2"	200st
55-060-XL	27- 45mm		200st
60-060-XL	30- 50mm	Cobra* 2"	200st
65-060-XL	32- 55mm	2"	100st

* Recommended for JETCLEANER Cobra 2" hose nozzle.

EC Flexible 060 - XXL packaging

Art. No.	Rec. for inner diameter (mm)	Rec. for inner diameter (inch)	Number per package
04-060-XXL	2- 3mm		10 000st
05-060-XXL	2,5- 4mm	1/8"	10 000st
07-060-XXL	3,5- 5mm	3/16"	10 000st
08-060-XXL	4- 6mm		10 000st
09-060-XXL	4,5- 7mm	1/4"	10 000st
10-060-XXL	5- 8mm		10 000st
12-060-XXL	6- 9mm	5/16"	10 000st
14-060-XXL	7- 11mm	3/8"	10 000st
16-060-XXL	8- 12mm		10 000st
18-060-XXL	9- 14mm	1/2"	10 000st
20-060-XXL	10- 15mm		5 000st
22-060-XXL	11- 17mm	5/8"	5 000st
24-060-XXL	12- 18mm		5 000st
26-060-XXL	13- 19mm	3/4"	5 000st
28-060-XXL	14- 21mm		3 000st
30-060-XXL	15- 23mm		3 000st
33-060-XXL	16,5- 25mm	1"	3 000st
35-060-XXL	17,5- 27mm		1 500st
38-060-XXL	19- 28mm		1 500st
40-060-XXL	20- 31mm	1 1/4"	1 500st
45-060-XXL	22- 35mm		1 000st
48-060-XXL	24- 37mm		1 000st
50-060-XXL	25- 40mm	1 1/2"	1 000st
55-060-XXL	27- 45mm		500st
60-060-XXL	30- 50mm	Cobra* 2"	500st
65-060-XXL	32- 55mm	2"	500st



- Made of medium-hard, super flexible polyurethane with high density. The material is homogeneous and does not release fibers.
- Used for pipes and tubes without reductions. For cleaning substances with high viscosity.
- Handles 90-degree bends and loops. Withstands 20% compression.
- Free from PVC, PTFE and Silicone.
- When selecting the size of the projectile, it is our recommendation to use a projectile that is 20% larger than the inner diameter of the hose or tube. Alternatively, make your own evaluation of the best possible results.

Super Standard

Art. No.	Rec. for inner diameter	Number per package
05-SS	4mm	100st
07-SS	5- 6mm	100st
10-SS	7- 8mm	100st
12-SS	9mm	100st
14-SS	10- 11mm	100st
16-SS	12mm	100st
18-SS	13- 14mm	100st
20-SS	15mm	100st
22-SS	16- 17mm	100st
24-SS	17- 18mm	50st
26-SS	19- 21mm	50st
30-SS	22- 23mm	40st
33-SS	24- 26mm	40st
36-SS	27- 28mm	30st
40-SS	29- 31mm	30st
45-SS	32- 35mm	20st
50-SS	36- 40mm	20st

Super Standard

Art. No.	Rec. for inner diameter	Number per package
55-SS	41- 45mm	15st
60-SS	46- 50mm	15st
65-SS	51- 55mm	15st
70-SS	56- 60mm	10st
75-SS	61- 65mm	10st
80-SS	66- 70mm	10st
85-SS	71- 75mm	10st
90-SS	76- 80mm	10st
95-SS	81- 84mm	10st
100-SS	85- 90mm	5st
110-SS	91- 100mm	5st
120-SS	101- 110mm	5st
130-SS	111- 115mm	5st
140-SS	115- 120mm	5st
150-SS	125- 130mm	5st



- An abrasive projectile for tubes.
- Made of medium-hard, high density polyurethane with a grinding surface at the top.
- The projectile is suitable for removing rust and oxide scale from metal tubes. Often used to clean steam pipes, cooling pipes and to remove soot in pipelines.
- Withstands 5% compression.
- Free from PVC, PTFE and silicone.
- When selecting the size of the projectile, it is our recommendation to use a projectile that is 5% larger than the inner diameter of the hose or tube. Alternatively, make your own evaluation of the best possible results.

Abrasive

Art. No.	Rec. for inner diameter (mm)	Number per package
05-A	4mm	100st
07-A	5- 6mm	100st
10-A	7- 8mm	100st
12-A	9mm	100st
14-A	10- 11mm	100st
16-A	12mm	100st
18-A	13- 14mm	100st
20-A	15mm	100st
22-A	16- 17mm	100st
24-A	17- 18mm	50st
26-A	19- 21mm	50st
30-A	22- 23mm	40st
33-A	24- 26mm	40st
36-A	27- 28mm	30st
40-A	29- 31mm	30st
45-A	32- 35mm	20st
50-A	36- 40mm	20st
55-A	41- 45mm	15st
60-A	46- 50mm	15st
65-A	51- 55mm	15st

Abrasive

Art. No.	Rec. for inner diameter (mm)	Number per package
70-A	56- 60mm	10st
75-A	61- 65mm	10st
80-A	66- 70mm	10st
85-A	71- 75mm	10st
90-A	76- 80mm	10st
95-A	81- 84mm	10st
100-A	85- 90mm	5st
110-A	91- 100mm	5st
120-A	101- 110mm	5st
130-A	111- 115mm	5st
140-A	115- 120mm	5st
150-A	125- 130mm	5st



- Made of medium-hard, flexible polyurethane with a rugged surface.
- Used for heavy duty cleaning of metal tubing to remove pitting, scale and more. Not suitable for sharp bends, best suited for straight pipes and smooth bends.
- Withstands 5% compression.
- Free from PVC, PTFE and silicone.
- When selecting the size of the projectile, it is our recommendation to use a projectile that is 5% larger than the inner diameter of the hose or tube. Alternatively, make your own evaluation of the best possible results.

Grinding

Art. No.	Rec. for inner diameter (mm)	Number per package
07-GR	5- 7mm	100st
10-GR	8- 10mm	100st
12-GR	10- 12mm	100st
14-GR	12- 14mm	100st
16-GR	14- 16mm	100st
18-GR	16- 18mm	100st
20-GR	17- 20mm	100st
22-GR	19- 22mm	100st
24-GR	20- 24mm	50st
26-GR	22- 26mm	50st
30-GR	25- 30mm	40st
33-GR	28- 33mm	40st
36-GR	31- 36mm	30st
40-GR	35- 40mm	30st
45-GR	39- 45mm	20st
50-GR	44- 50mm	20st
55-GR	49- 55mm	15st
60-GR	53- 60mm	15st
65-GR	58- 65mm	15st

Grinding

Art. No.	Rec. for inner diameter (mm)	Number per package
70-GR	63- 70mm	10st
75-GR	68- 75mm	10st
80-GR	73- 80mm	10st
85-GR	78- 85mm	10st
90-GR	83- 90mm	10st
95-GR	88- 95mm	10st
100-GR	92- 100mm	5st
110-GR	100- 110mm	5st
120-GR	110- 120mm	5st
130-GR	120- 130mm	5st
140-GR	130- 140mm	5st
150-GR	140- 150mm	5st

JETCLEANER Mini



JETCLEANER Mini

Art. No.	Description
MI-8010	JETCLEANER Mini. A robust and easy to handle gun for hoses with ID 3/16" - 1" and tubes with OD 6mm - 30mm. Weight 0,5kg.



JETCLEANER Mini - Hose set

Art. No.	Description
MI-8030	JETCLEANER Mini gun with 8 standard thermoplastic nozzles in sizes 3/16" - 1". Comes in a protective carrying case.



JETCLEANER Mini - Hose set (steel)

Art. No.	Description
MI-8030-S	JETCLEANER Mini gun with 8 standard steel nozzles in sizes 3/16" - 1". Comes in a protective carrying case.



JETCLEANER Mini - Mix set

Art. No.	Description
MI-8055	JETCLEANER Mini gun with 9 optional thermoplastic standard nozzles in sizes 3/16"- 1" for hoses and 6mm - 30mm for tubes. Comes in a protective carrying case.

JETCLEANER Mini



JETCLEANER Mini - Tube set

Art. No.	Description
MI-8060	JETCLEANER Mini gun with 9 optional thermoplastic standard tube nozzles in sizes 6mm - 30mm. Comes in a protective carrying case.



Hose nozzle (steel)

Art. No.	ID hose dimension (inch)
MI-2090-03-S	3/16"
MI-2100-04-S	1/4"
MI-2110-05-S	5/16"
MI-2120-06-S	3/8"
MI-2130-08-S	1/2"
MI-2140-10-S	5/8"
MI-2150-12-S	3/4"
MI-2160-16-S	1"



Hose nozzle (thermoplastic)

Art. No.	ID hose dimension (inch)
MI-2090-03	3/16"
MI-2100-04	1/4"
MI-2110-05	5/16"
MI-2120-06	3/8"
MI-2130-08	1/2"
MI-2140-10	5/8"
MI-2150-12	3/4"
MI-2160-16	1"



Tube nozzle (thermoplastic)

Art. No.	Tube dimension OD x t (mm)
MI-0610	6x1.0
MI-0615	6x1.5
MI-0810	8x1.0
MI-0815	8x1.5
MI-1010	10x1.0
MI-1015	10x1.5
MI-1020	10x2.0
MI-1025	10x2.5
MI-1215	12x1.5
MI-1220	12x2.0
MI-1420	14x2.0
MI-1425	14x2.5
MI-1515	15x1.5
MI-1520	15x2.0
MI-1615	16x1.5
MI-1620	16x2.0
MI-1630	16x3.0
MI-1815	18x1.5
MI-1820	18x2.0

Art. No.	Tube dimension OD x t (mm)
MI-2020	20x2.0
MI-2025	20x2.5
MI-2030	20x3.0
MI-2040	20x4.0
MI-2215	22x1.5
MI-2220	22x2.0
MI-2230	22x3.0
MI-2520	25x2.0
MI-2525	25x2.5
MI-2530	25x3.0
MI-2540	25x4.0
MI-2550	25x5.0
MI-2820	28x2.0
MI-2830	28x3.0
MI-3020	30x2.0
MI-3030	30x3.0
MI-3040	30x4.0
MI-3050	30x5.0

Tube nozzle Special (thermoplastic)

Art. No.	Tube dimension OD x t (mm)
MI-9050	Your own measurement

Special dimensions for tubes with max OD 30mm.

JETCLEANER Classic



JETCLEANER Classic

Art. No.	Description
CL-8010	The original since 1986. Made of cast aluminium. For hoses with ID 3/16" - 2" and tubes with OD 6mm - 60mm.



JETCLEANER Classic - Starter kit

Art. No.	Description
SK-8030	JETCLEANER Classic gun, nozzles, cleaning projectiles and a projectile collector. For hoses with ID 1/4" up to 1 1/4". Comes in a protective carrying case.



JETCLEANER Classic - Hose set (thermoplastic)

Art. No.	Description
CL-8030	JETCLEANER Classic gun, a bench stand and 11 standard thermoplastic nozzles for hoses with ID 3/16" - 2". Comes in a protective carrying case.



JETCLEANER Classic - Hose set (steel)

Art. No.	Description
CL-8030-S	JETCLEANER Classic gun, a bench stand and 11 standard steel nozzles for hoses with ID 3/16" - 2". Comes in a protective carrying case.

JETCLEANER Classic



JETCLEANER Classic - Mix set

Art. No.	Description
----------	-------------

CL-8055	JETCLEANER Classic gun, a bench stand, adapter and 11 optional thermoplastic hose/tube nozzles (ID 3/16"- 2", OD 6mm - 60mm). Comes in a protective carrying case.
---------	--



JETCLEANER Classic - Tube set

Art. No.	Description
----------	-------------

CL-8060	JETCLEANER Classic gun, a bench stand, adapter and 11 optional thermoplastic tube nozzles (ID 3/16"- 2", OD 6mm - 60mm). Comes in a protective carrying case.
---------	---



JETCLEANER Classic - Adapter

Art. No.	Description
----------	-------------

CL-3000	Adapter for JETCLEANER Classic. Used with tube nozzles nr. CL-0610 - CL-3860, hose nozzle (steel) 3/16" - 1 1/4" and JIC 3/16"-1".
---------	--



JETCLEANER Classic - Bench stand

Art. No.	Description
----------	-------------

CL-8050	Bench stand for JETCLEANER Classic. Made of nickel-plated aluminium. Screwed into the table at the workstation.
---------	---



Hose nozzle (thermoplastic)

Art. No.	ID hose dimension (inch)
CL-2090-03	3/16"
CL-2100-04	1/4"
CL-2110-05	5/16"
CL-2120-06	3/8"
CL-2130-08	1/2"
CL-2140-10	5/8"
CL-2150-12	3/4"
CL-2160-16	1"
CL-2170-20	1 1/4"
CL-2180-24	1 1/2"
CL-2190-32	2"

Hose nozzle (steel)

Art. No.	ID hose dimension (inch)
CL-2090-03-S	3/16"
CL-2100-04-S	1/4"
CL-2110-05-S	5/16"
CL-2120-06-S	3/8"
CL-2130-08-S	1/2"
CL-2140-10-S	5/8"
CL-2150-12-S	3/4"
CL-2160-16-S	1"
CL-2170-20-S	1 1/4"
CL-2180-24-S	1 1/2"
CL-2190-32-S	2"

For nozzles CL-2090-03-S to CL-2170-20-S the adapter (art. no. CL-3000) is required.



Tube nozzle (thermoplastic)

Art. No.	Tube dimension OD x t (mm)
CL-0610	6x1.0
CL-0615	6x1.5
CL-0810	8x1.0
CL-0815	8x1.5
CL-1010	10x1.0
CL-1015	10x1.5
CL-1020	10x2.0
CL-1025	10x2.5
CL-1215	12x1.5
CL-1220	12x2.0
CL-1420	14x2.0
CL-1425	14x2.5
CL-1515	15x1.5
CL-1520	15x2.0
CL-1615	16x1.5
CL-1620	16x2.0
CL-1630	16x3.0
CL-1815	18x1.5
CL-1820	18x2.0
CL-2020	20x2.0
CL-2025	20x2.5
CL-2030	20x3.0
CL-2040	20x4.0

For nozzles CL-0610 to CL-3860 the adapter (art. no. CL-3000) is required.

Art. No.	Tube dimension OD x t (mm)
CL-2215	22x1.5
CL-2220	22x2.0
CL-2230	22x3.0
CL-2520	25x2.0
CL-2525	25x2.5
CL-2530	25x3.0
CL-2540	25x4.0
CL-2550	25x5.0
CL-2820	28x2.0
CL-2830	28x3.0
CL-3020	30x2.0
CL-3030	30x3.0
CL-3040	30x4.0
CL-3050	30x5.0
CL-3520	35x2.0
CL-3530	35x3.0
CL-3540	35x4.0
CL-3825	38x2.5
CL-3830	38x3.0
CL-3840	38x4.0
CL-3850	38x5.0
CL-3860	38x6.0
CL-4220	42x2.0
CL-4230	42x3.0
CL-4240	42x4.0
CL-4250	42x5.0
CL-5030	50x3.0
CL-5040	50x4.0
CL-5050	50x5.0
CL-5060	50x6.0
CL-6030	60x3.0
CL-6040	60x4.0
CL-6050	60x5.0

Tube nozzle special (thermoplastic)

Art. No.	Tube dimension OD x t (mm)
CL-9050	Your own measurement

For tubes with max OD 60 mm.



JIC nozzle with 37-degree cone (thermoplastic)

Art. No.	Hose dimensions inches	UNF inside thread	Tube cone 37° dimension
CL-2090-J	3/16"	7/16"-20	6mm
CL-2100-J	1/4"	1/2"-20	8mm
CL-2110-J	5/16"	9/16"-18	10mm
CL-2120-J	3/8"	3/4"-16	12mm
CL-2130-J	1/2"	7/8"-14	14-15-16mm
CL-2140-J	5/8"	1 1/16"-12	18-20mm
CL-2150-J	3/4"	1 3/16"-12	22mm
CL-2160-J	1"	1 5/16"-12	25mm
CL-2170-J	1 ¼"	1 5/8"-12	30-32mm
CL-2180-J	1 ½"	1 7/8"-12	38mm
CL-2190-J	2"	2 1/2"-12	50mm

For nozzles CL-2090-J to CL-2160-J the adapter (art. no. CL-3000) is required.



Alligator (thermoplastic)

Art. No.	Dimension ID
CL-UNV-80	30mm- 80mm
CL-UNV-120	70mm- 120mm



Customized special nozzle for JETCLEANER Classic (thermoplastic)

Art. No.	Description
CL-9060	Customized nozzles. I.e. oval tubes, atlas connector and rectangular tubes. For the JETCLEANER Classic

JETCLEANER Cobra



JETCLEANER Cobra

Art. No.	Description
CO-8010	Semi-automatic, fast loading gun in durable thermoplastic. Ergonomic design and weighs only 0,3kg. For hoses with ID 3/16" - 2" and tubes with OD 6mm - 60mm.

JETCLEANER Cobra - Hose set

Art. No.	Description
CO-8030	JETCLEANER Cobra with 11 thermoplastic standard nozzles in sizes ID 3/16" - 2". Comes in a protective carrying case.



JETCLEANER Cobra - Mix set

Art. No.	Description
CO-8055	JETCLEANER Cobra with 11 optional thermoplastic nozzles for hoses ID 3/16" - 2" and tubes OD 6mm - 60mm. Comes in a protective carrying case.



JETCLEANER Cobra - Tube set

Art. No.	Description
CO-8060	JETCLEANER Cobra with 11 optional standard nozzles for tubes OD 6mm - 60mm. Comes in a protective carrying case.



Hose nozzle (thermoplastic)

Art. No.	ID hose dimension (inch)
CO-2090-03	3/16"
CO-2100-04	1/4"
CO-2110-05	5/16"
CO-2120-06	3/8"
CO-2130-08	1/2"
CO-2140-10	5/8"
CO-2150-12	3/4"
CO-2160-16	1"
CO-2170-20	1 1/4"
CO-2180-24	1 1/2"
CO-2190-32	2"



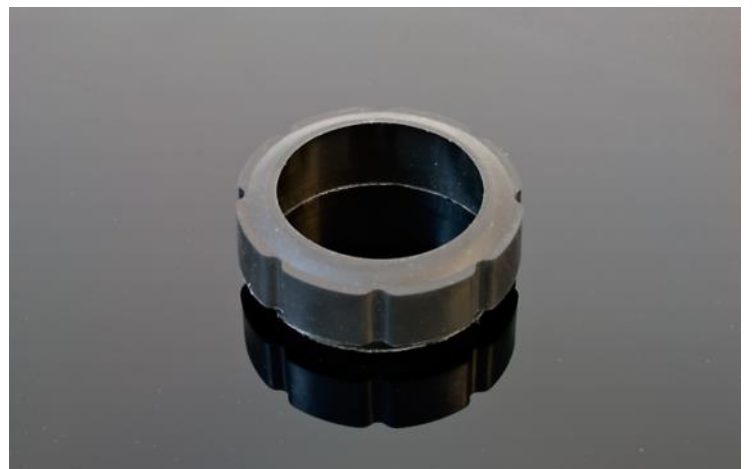
Hos nozzle (steel reinforced themoplastic)

Art. No.	ID hose dimension (inch)
CO-2090-03-SP	3/16"
CO-2100-04-SP	1/4"
CO-2110-05-SP	5/16"
CO-2120-06-SP	3/8"
CO-2130-08-SP	1/2"
CO-2140-10-SP	5/8"
CO-2150-12-SP	3/4"



Seal for Cobra nozzles (spare parts)

Art. No.	Hose / tube
CO-2200	3/16"- 1 1/4" or 6-38mm
CO-2201	1 1/2"- 2" or 42-60mm



Seal for Cobra nozzles (free from silicone)

Art. No.	Hose / tube
CO-2202	3/16"-1 1/4" or 6-38mm



Tube nozzle (thermoplastic)

Art. No.	Tube dimension OD x t (mm)
CO-0610	6x1.0
CO-0615	6x1.5
CO-0810	8x1.0
CO-0815	8x1.5
CO-1010	10x1.0
CO-1015	10x1.5
CO-1020	10x2.0
CO-1025	10x2.5
CO-1215	12x1.5
CO-1220	12x2.0
CO-1420	14x2.0
CO-1425	14x2.5
CO-1515	15x1.5
CO-1520	15x2.0
CO-1615	16x1.5
CO-1620	16x2.0
CO-1630	16x3.0
CO-1815	18x1.5
CO-1820	18x2.0
CO-1830	18x3.0
CO-2015	20x1.5
CO-2020	20x2.0
CO-2030	20x3.0

Art. No.	Tube dimension OD x t (mm)
CO-2215	22x1,5
CO-2220	22x2,0
CO-2230	22x3,0
CO-2520	25x2,0
CO-2525	25x2,5
CO-2530	25x3,0
CO-2540	25x4,0
CO-2820	28x2,0
CO-2830	28x3,0
CO-3020	30x2,0
CO-3030	30x3,0
CO-3040	30x4,0
CO-3050	30x5,0
CO-3530	35x3,0
CO-3540	35x4,0
CO-3825	38x2,5
CO-3830	38x3,0
CO-3840	38x4,0
CO-3850	38x5,0
CO-3860	38x6,0
CO-4220	42x2.0
CO-4230	42x3.0
CO-4240	42x4.0
CO-4250	42x5.0
CO-5030	50x3.0
CO-5040	50x4.0
CO-5050	50x5.0
CO-5060	50x6.0
CO-6030	60x3.0
CO-6040	60x4.0
CO-6050	60x5.0

Tube nozzle special (thermoplastic)

Art. No.	Tube dimension OD x t (mm)
CO-9050	Your own measurement

For tubes with max OD 60 mm.

JETCLEANER launch stations



JETCLEANER 2000SA

Art. No.	Description
----------	-------------

2000-SA	Suitable as a permanent cleaning station. Projectiles are loaded through the top tube and fired using a foot pedal or front firing. Can be used for extremely long hoses and tubes thanks to the adjustable air pressure time.
---------	--

Can also be equipped with grippers for tubes (10-50 mm) and with a spray function of external fluids such as degreasing, lubricating, anti-rust etc.

Technical specifications

Diameter projectiles	4–65 mm
Firing speed	3 seconds (load-fire)
Air pressure	0.1 – 99 seconds via PLC
Working pressure	Max 8 bar (minimum 6 bar)
Hose coupling	Internal R1/2"
Voltage	110V or 230V (1-phase)
Weight	50 kg
Nozzles	All Classic nozzles fits the 2000SA



JETCLEANER 5000SA

Art. No.	Description
----------	-------------

5000-SA	PLC controlled machine with pneumatic grippers for really large pipes. Used with a handset. Can be used for extremely long hoses and tubes.
---------	---

Projectiles are loaded through the top tube. Can also be equipped with spray function of the external fluids as degreasing, lubricating, anti-rust etc.

Technical specifications

Outer diameter projectiles	65–135 mm
Firing speed	5-15 sekunder (load-fire)
Pneumatic grippers dimension	50–150 mm (outer pipe)
Working pressure	Max 8 bar (minimum 6 bar)
Hose coupling	Internal R1"
Voltage	110V or 230V (1-phase)
Weight	75 kg
Nozzles	Customized nozzles by customers specification

JETCLEANER Avfyrningsstationer



JETCLEANER 2500APC

Art. No.	Description
----------	-------------

2500-APC	PLC controlled automatic station for companies with mass production of tubes and hoses. We build and equip the JETCLEANER 2500APC according to your specifications. Comes with a projectile feed, front firing system or a pistol.
----------	--

Can also be equipped with grippers for pipes and a spray function for external fluids such as degreasing, lubricating, corrosion protection etc.

Technical specifications

Diameter projectiles	10 mm – 38 mm
Firing speed	2 seconds (load-fire)
Air pressure	0.1 – 99 seconds via PLC
Projectile feed	50-500 projectiles depending on size
Working pressure	Max 8 bar (minimum 6 bar).
Hose coupling	Internal R1/2"
Voltage	110V or 230V (1-phase)
Weight	150 kg
Nozzles	Classic nozzles 1/4" - 1" and 10*2,5 - 38*6,0



JETCLEANER Cobra Projectile Control System

Art. No.	Description
----------	-------------

JC-2010-PCU	Our fast-charged JETCLEANER Cobra rebuilt with confirmation system to verify the fired projectile.
-------------	--

Automatic stop and control light indicates whether the projectile passed through the pipe or hose. The solution is particularly in demand in the manufacturing industry with computerized process monitoring.

Technical specifications

Diameter projectiles	4–60 mm
Firing speed	3 seconds (load-fire-control)
Working pressure	Max 7 bar (minimum 6 bar)
Hose coupling	Internal R1/4"
Voltage	110V or 230V (1-phase)
Weight (complete set)	50 kg
Nozzles	All JETCLEANER Cobra nozzles fits the JETCLEANER Cobra + JPCU



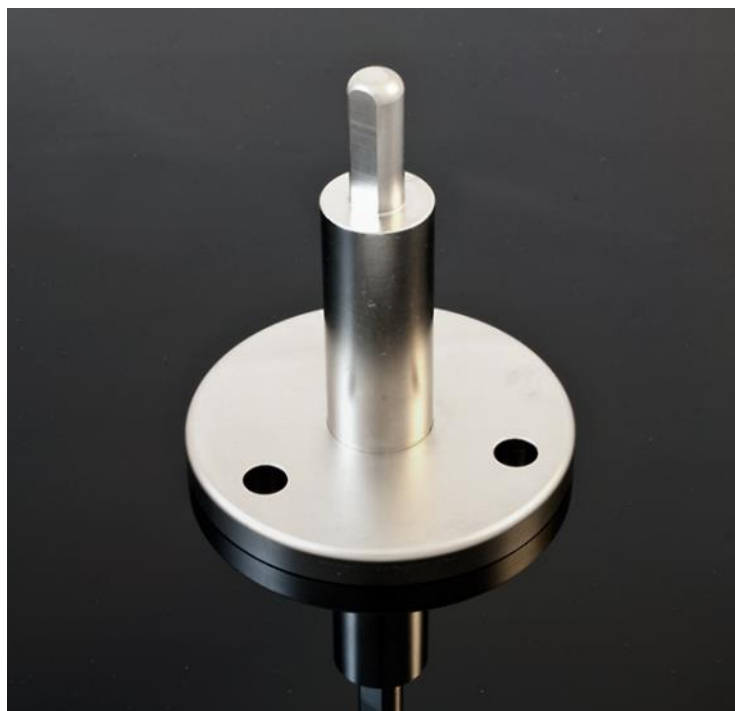
JETCLEANER JCPCU

Art. No.	Description
JCPCU-20-01	PLC controlled construction confirming that the projectile passed the hose or pipe. With automatic stop/go-approval for the next projectile. Handles projectiles between 4-65 mm. Works with 2000-SA, JC-2010-PCU & 2500 APC.



Projectile collector

Art. No.	Description
JC-32-001	Made of white plastic. Equipped with a 90° bend where you insert the output end. Built-in venting system for best performance. Holds 30 liters of used and dirty projectiles.



JETCLEANER Classic—Bench stand

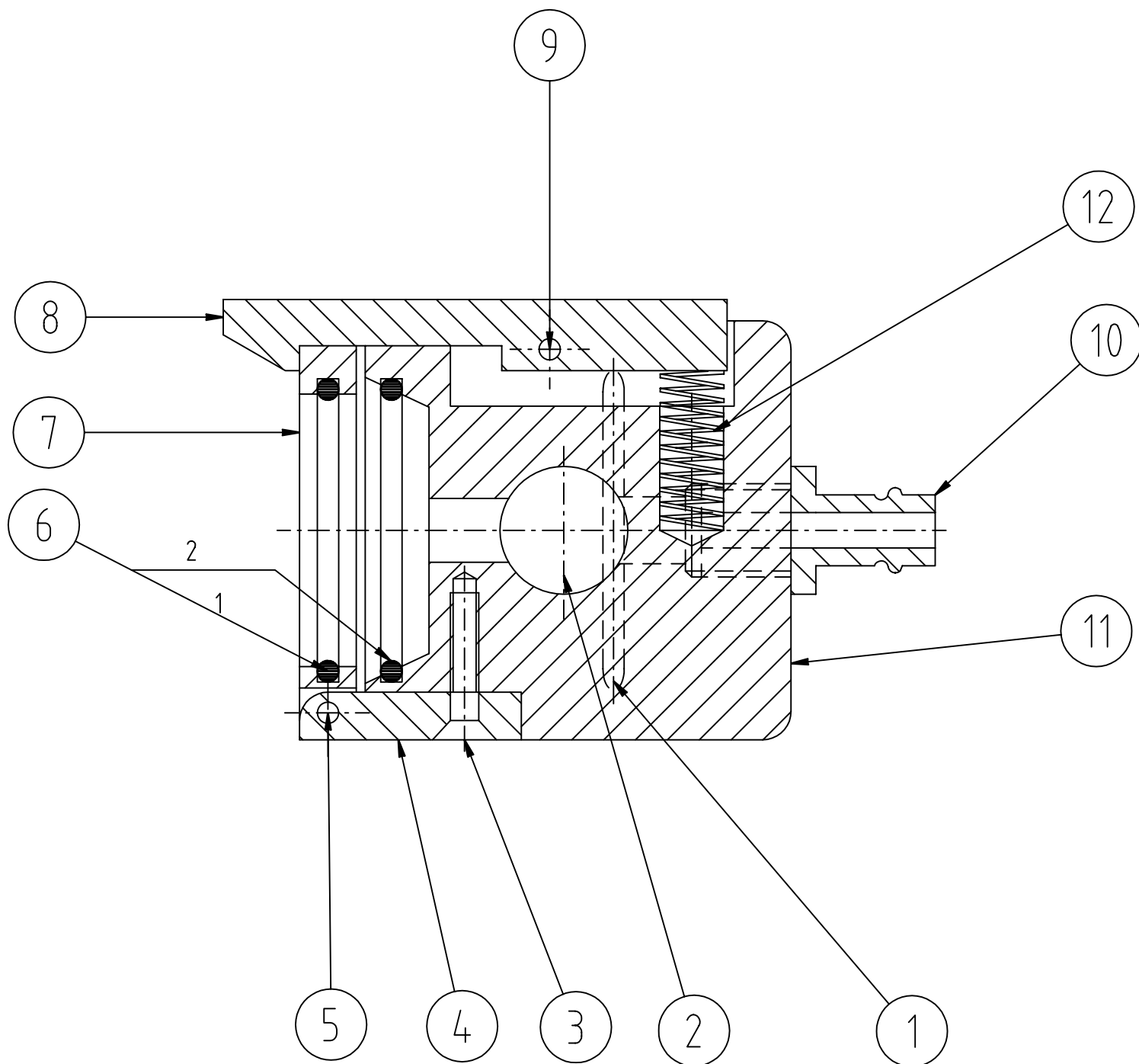
Art. No.	Description
CL-8050	Bench stand for JETCLEANER Classic. Made of nickel-plated aluminium. Screwed into the table at the workstation.



Cases for JETCLEANER guns and nozzles

Art. No.	Description
MI-8040	Carrying case for JETCLEANER Mini.
CL-8040	Carrying case for JETCLEANER Classic.
CO-8040	Carrying case for JETCLEANER Cobra.

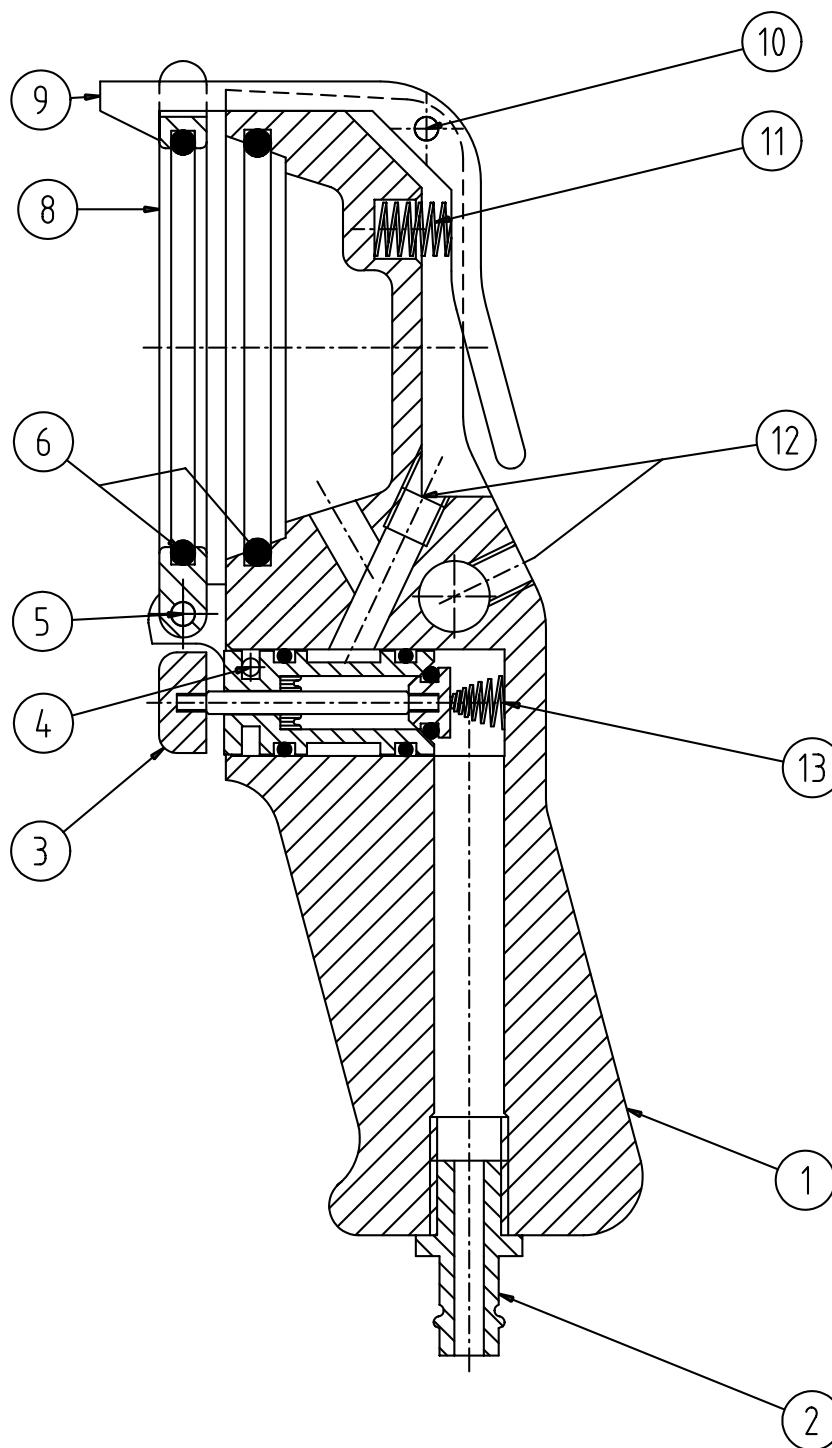
JETCLEANER Mini - spare parts



Pos. Nr.	Art. No.	Description	Number of parts
1	M-1078	Stop screw	2
2	J-1050	Valve Incl. M1078 J1031	1
3	M-1069	Screw	1
4	M-1090	Hold	1
5	M-1079	Pin	1
6	M-1068	O-ring	2

Pos. Nr.	Art. No.	Description	Number of parts
7	M-1080	Nozzle Housing Incl. M1069, M1078 M1068	1
8	M-1070	Latch Incl. M1078, M1033	1
9	M-1077	Stop screw	1
10	J-1061	Nipple	1
11	M-1060	Body	1
12	M-1033	Spring	1

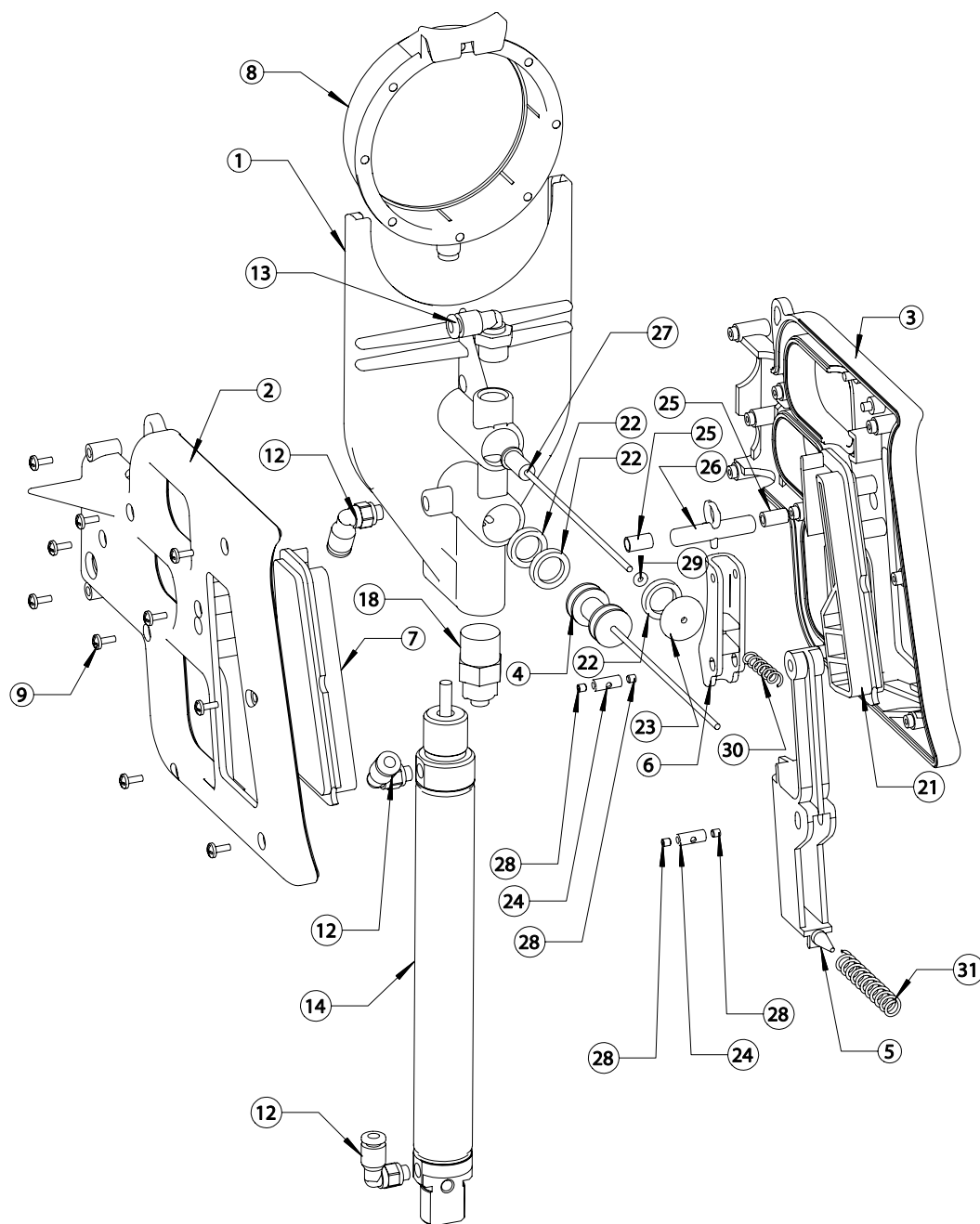
JETCLEANER Classic - spare parts



Pos. Nr.	Art. No.	Description	Number of parts
1	C-1013	Handle	1
2	J-1061	Nipple	1
3	J-1050	Valve Incl. C1051, C1031	1
4	C-1051	Pin	1
5	C-1034	Pin	1
6	C-1024	O-ring	2

Pos. Nr.	Art. No.	Description	Number of parts
8	C-1040	Nozzle housing incl. C1024, C1034	1
9	C-1030	Latch incl. C1032, C1034	1
10	C-1034	Pin	1
11	C-1032	Spring	1
12	C-1025	Set screw	2
13	J-1031	Spring	1

JETCLEANER Cobra - spare parts



Pos. Nr.	Art. No.	Description	Number of parts
1	CX-1050	Valve body	1
2	CX-1011	Left half	1
3	CX-1010	Right half	1
4	CX-1051	Piston	1
5	CX-1031	Trigger U	1
6	CX-1030	Trigger O	1
7	CX-1013	Grip dome L	1
8	CX-1040	Nozzle housing	1
9	CX-1000	Phillips screw	10
12	CX-1007	Nipple 5mm	3
13	CX-1006	Nipple 1-8	1
14	CX-1020	Cylinder	1

Pos. Nr.	Art. No.	Description	Number of parts
18	CX-1061	House coupling	1
21	CX-1012	Grip dome R	1
22	CX-1002	Seal	3
23	CX-1053	Trigger plug	1
24	CX-1032	Trigger nipple ink. , CX1033	2
25	CX-1036	Spring	2
26	CX-1035	Lock block	1
27	CX-1052	Valve cone	1
28	CX-1033	Socket screw	4
29	CX-1001	O-ring	1
30	CX-1004	Spring S	1
31	CX-1005	Spring B	1



Eurocomp AB price list.
Autumn 2014. Version #1.
Subject to printing errors.



Tel: +46(0)226-585 85

info@eurocomp.se

www.eurocomp.se

