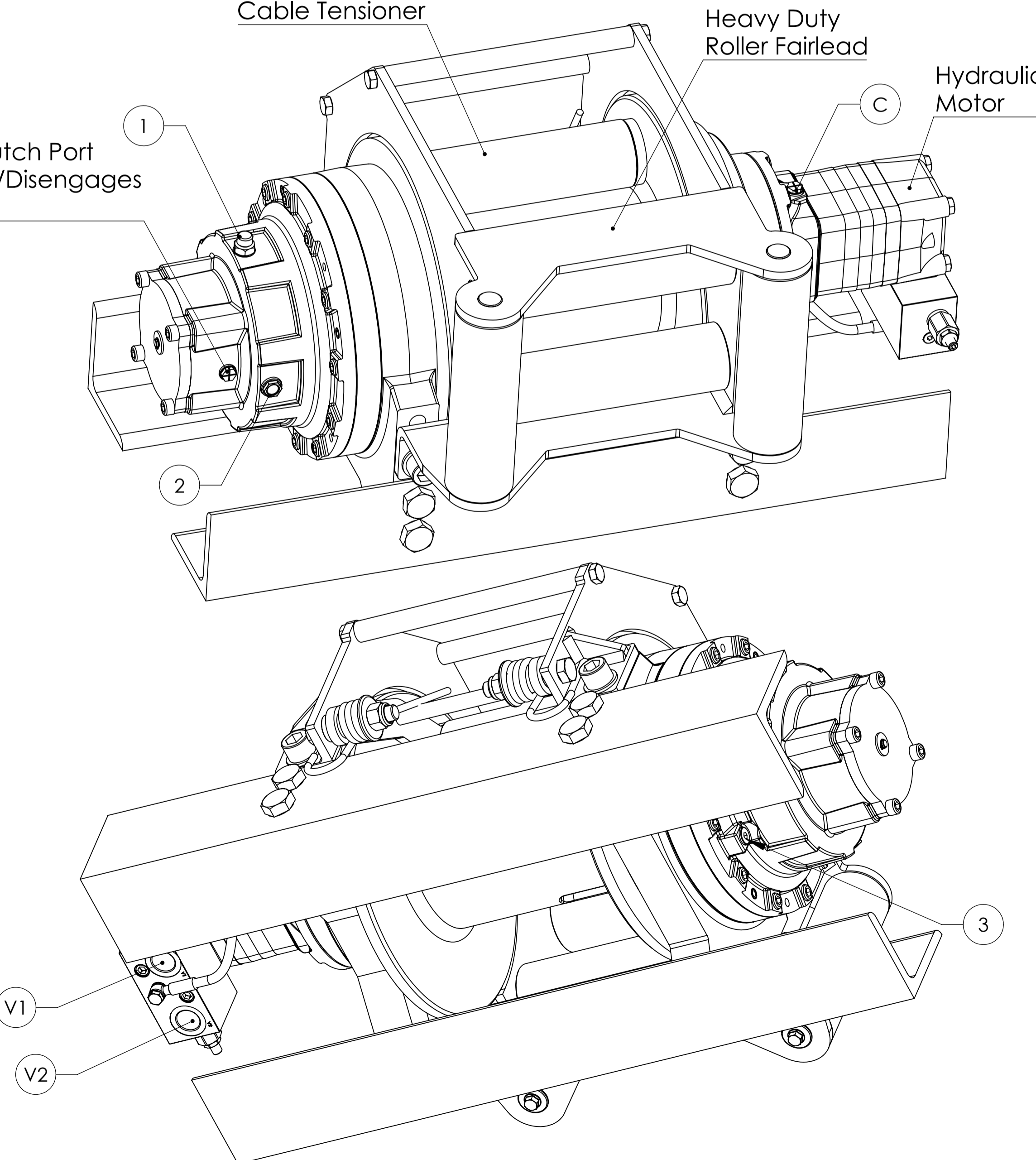
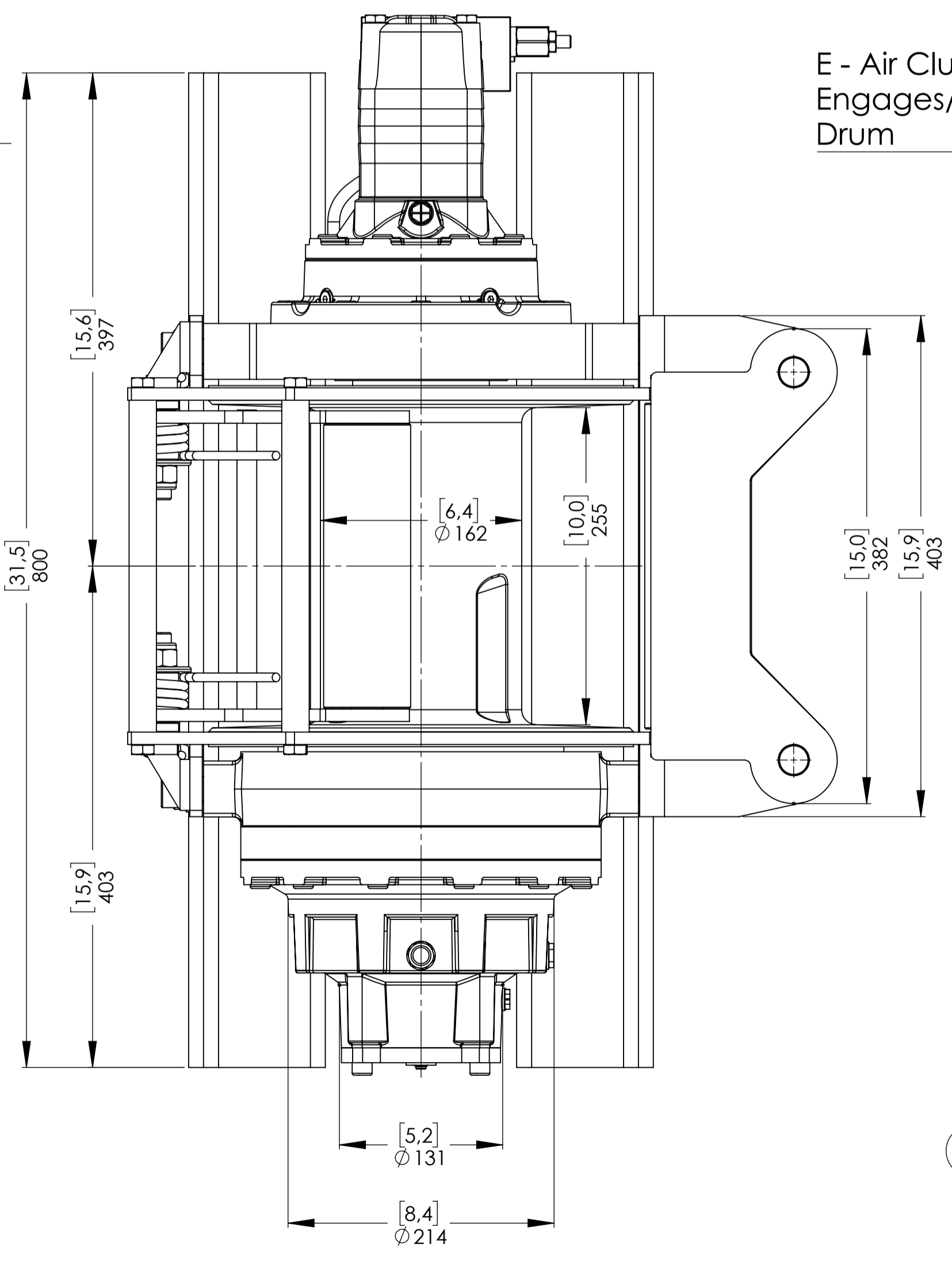
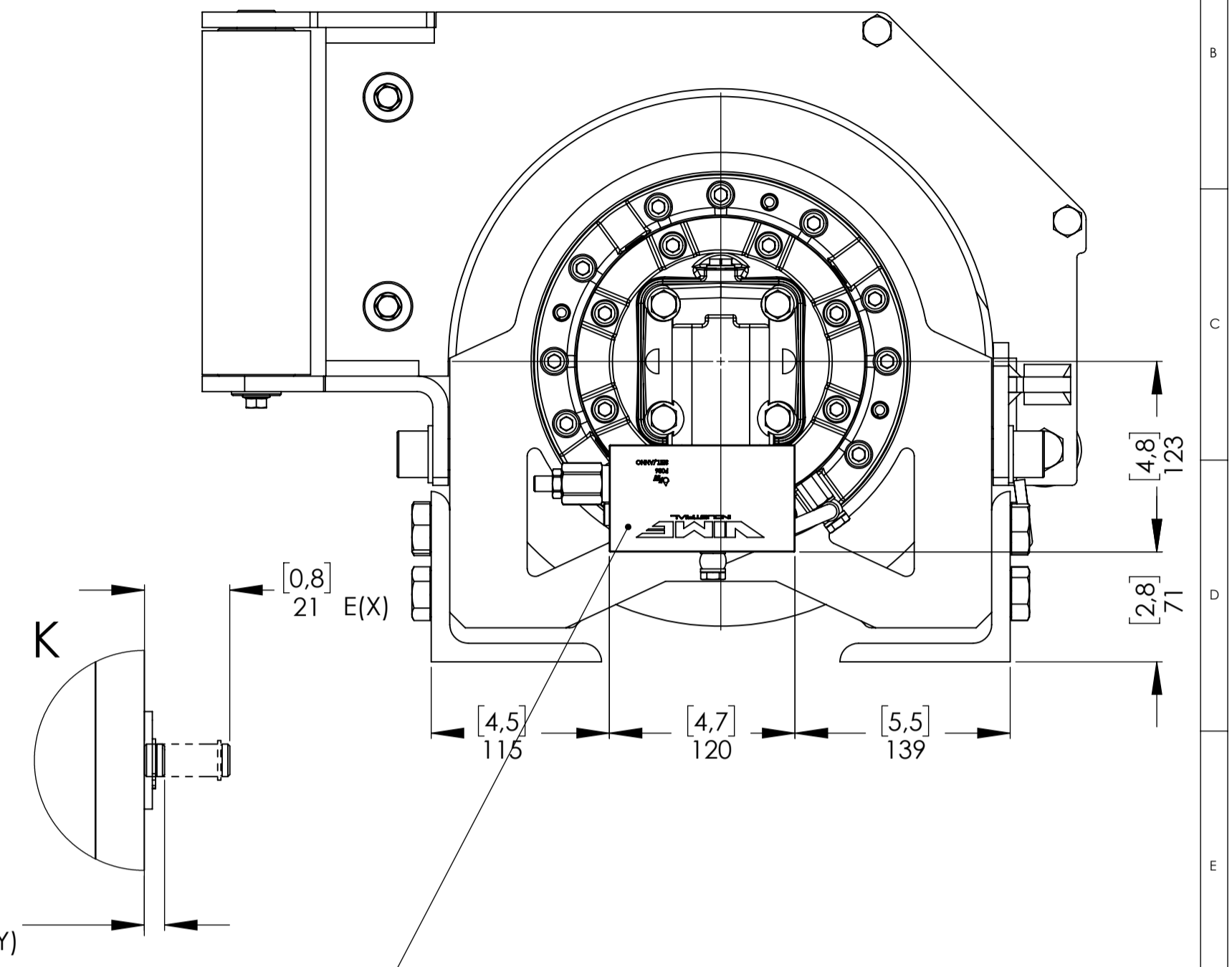
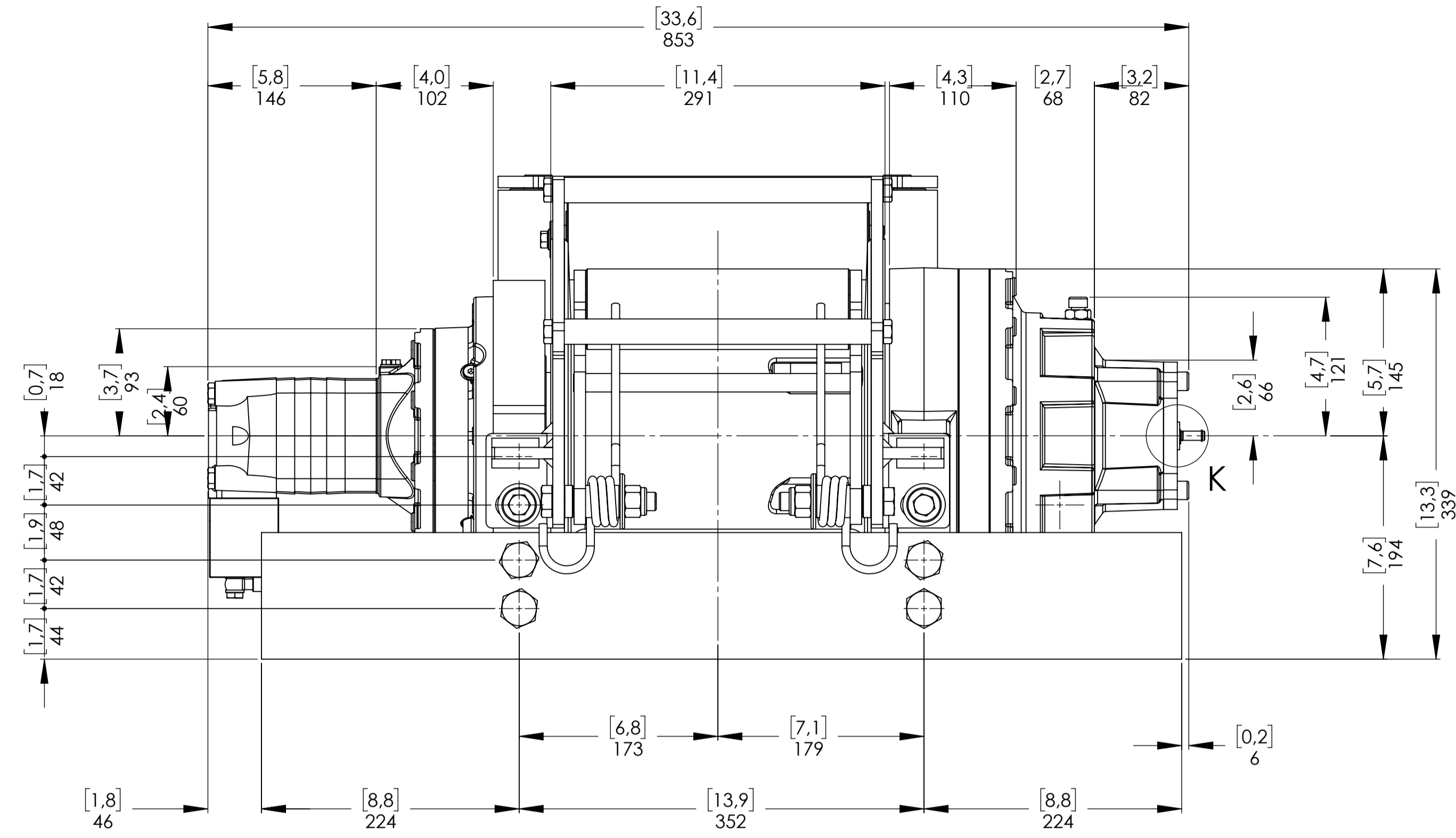
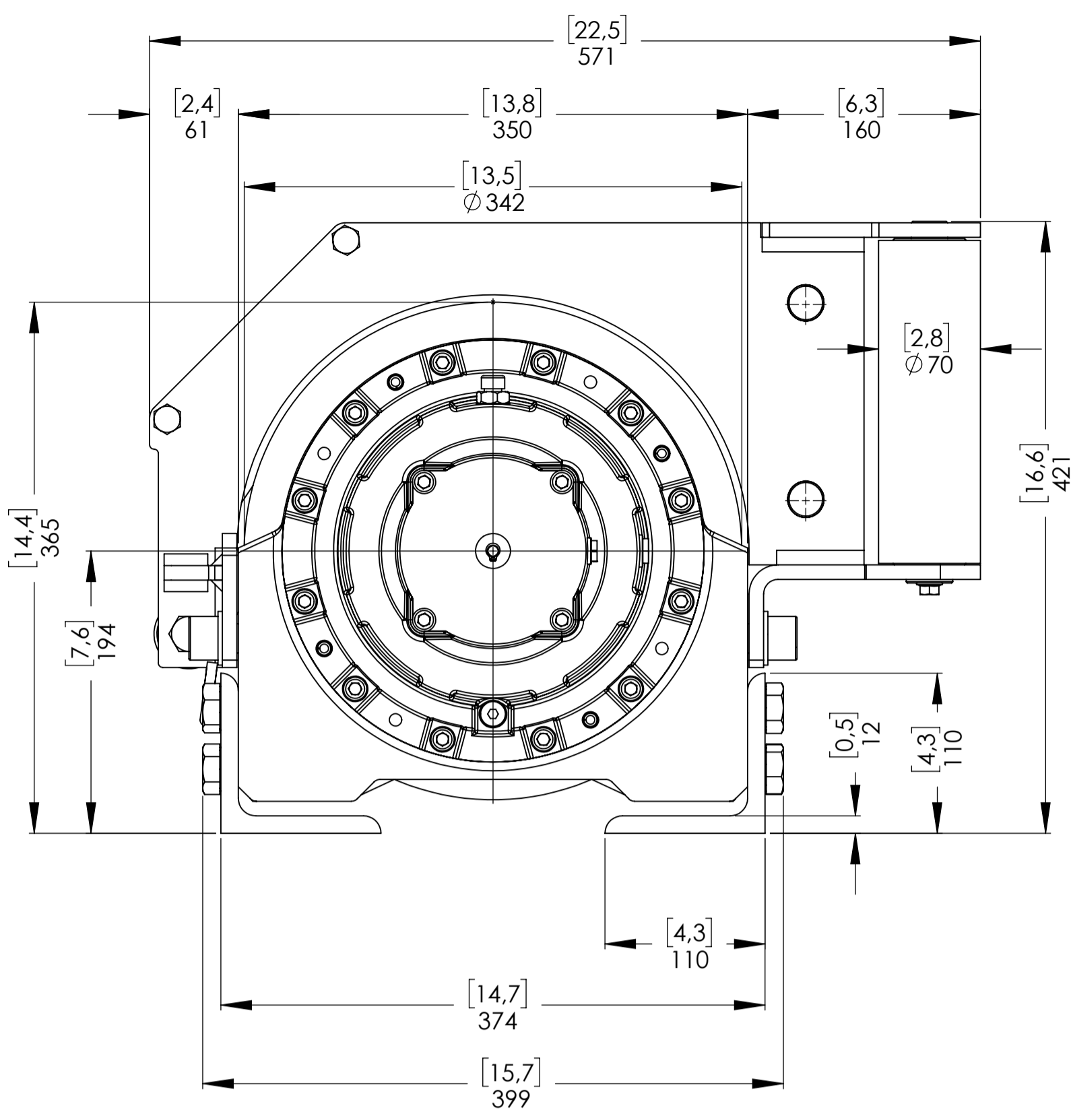
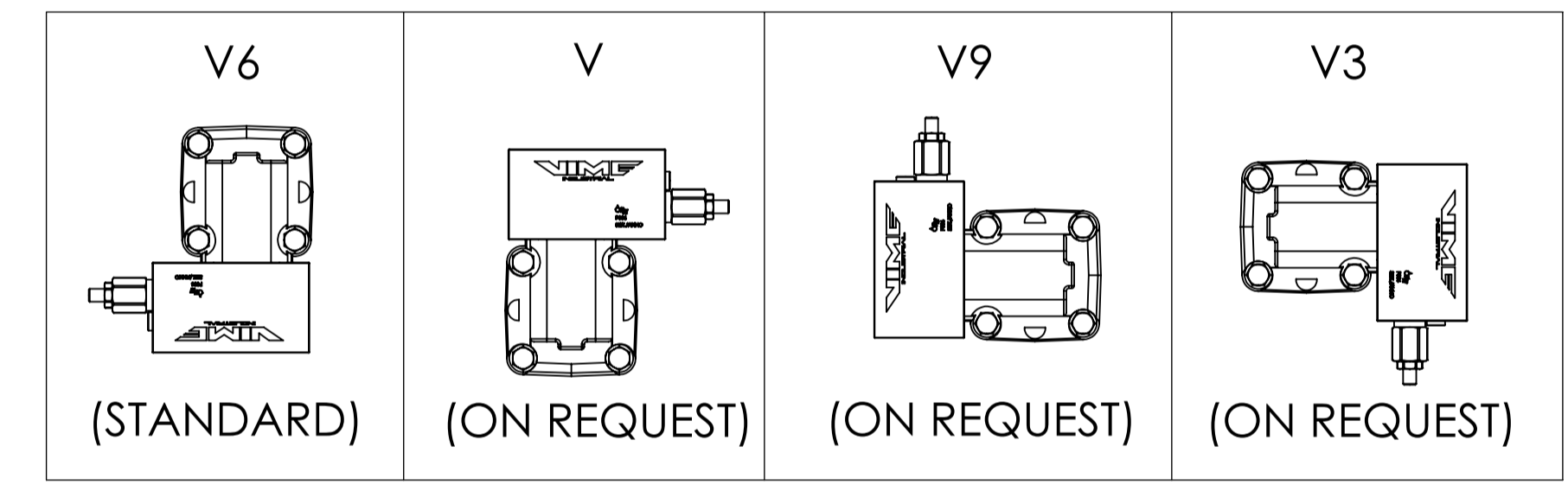


Machinery Directive 2006/42/CE
EN 14492-1



OVERCENTER VALVE POSITION*

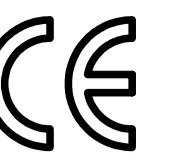


WINCH ORDERING CODE	AIR CLUTCH (STANDARD)	MANUAL CLUTCH (ON REQUEST)	HEAVY DUTY ROLLER FAIRLEAD (ON REQUEST)	CABLE TENSIONER (ON REQUEST)	OVER CENTER VALVE POSITION* (STANDARD V6)
EPHCFN165U31EAV6	X				X
EPHCFN165U31EAPV6	X			X	X
EPHCFN165U31EAGV6	X		X		X
EPHCFN165U31EAGPV6	X		X	X	X
EPHCFN165U31EV6		X			X
EPHCFN165U31EPV6		X		X	X
EPHCFN165U31EGV6		X	X		X
EPHCFN165U31EGPV6		X	X	X	X

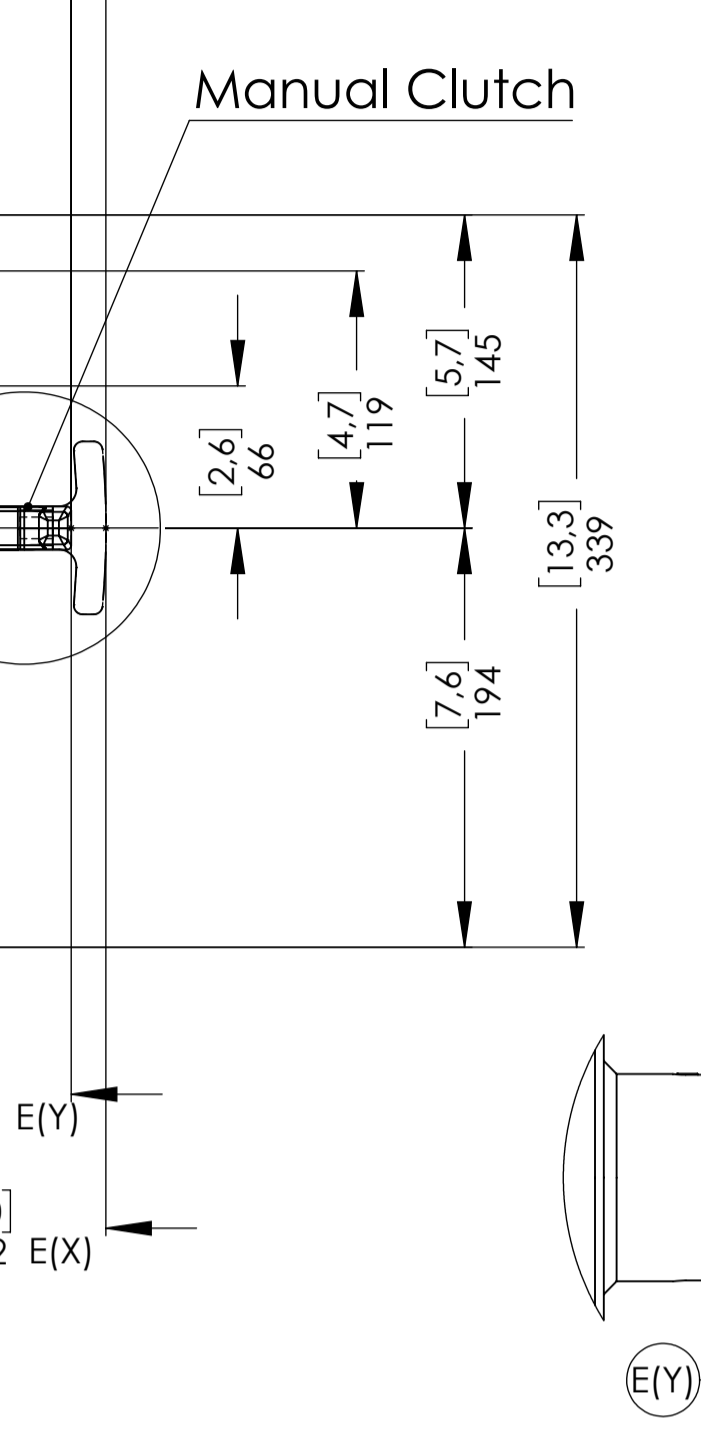
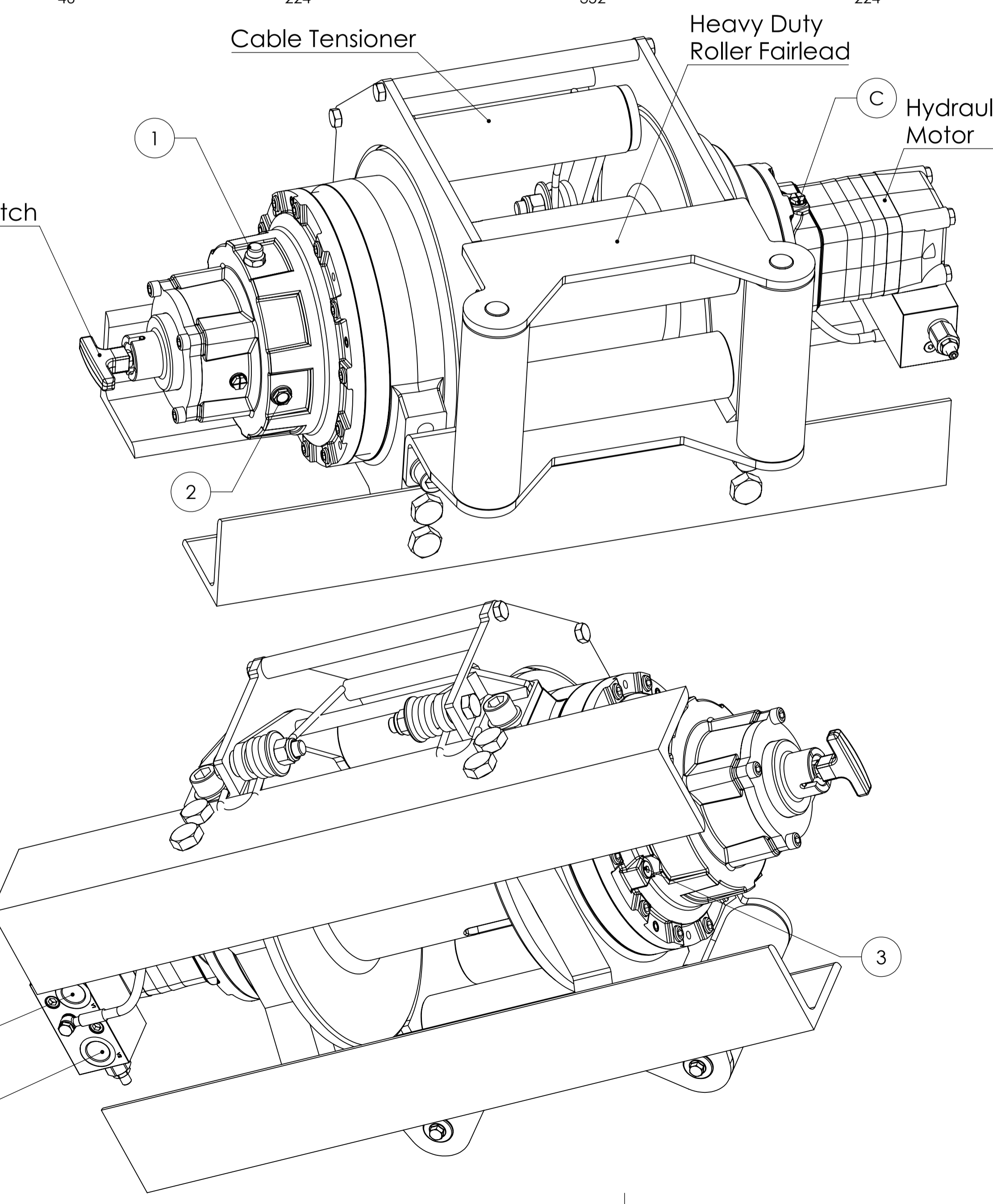
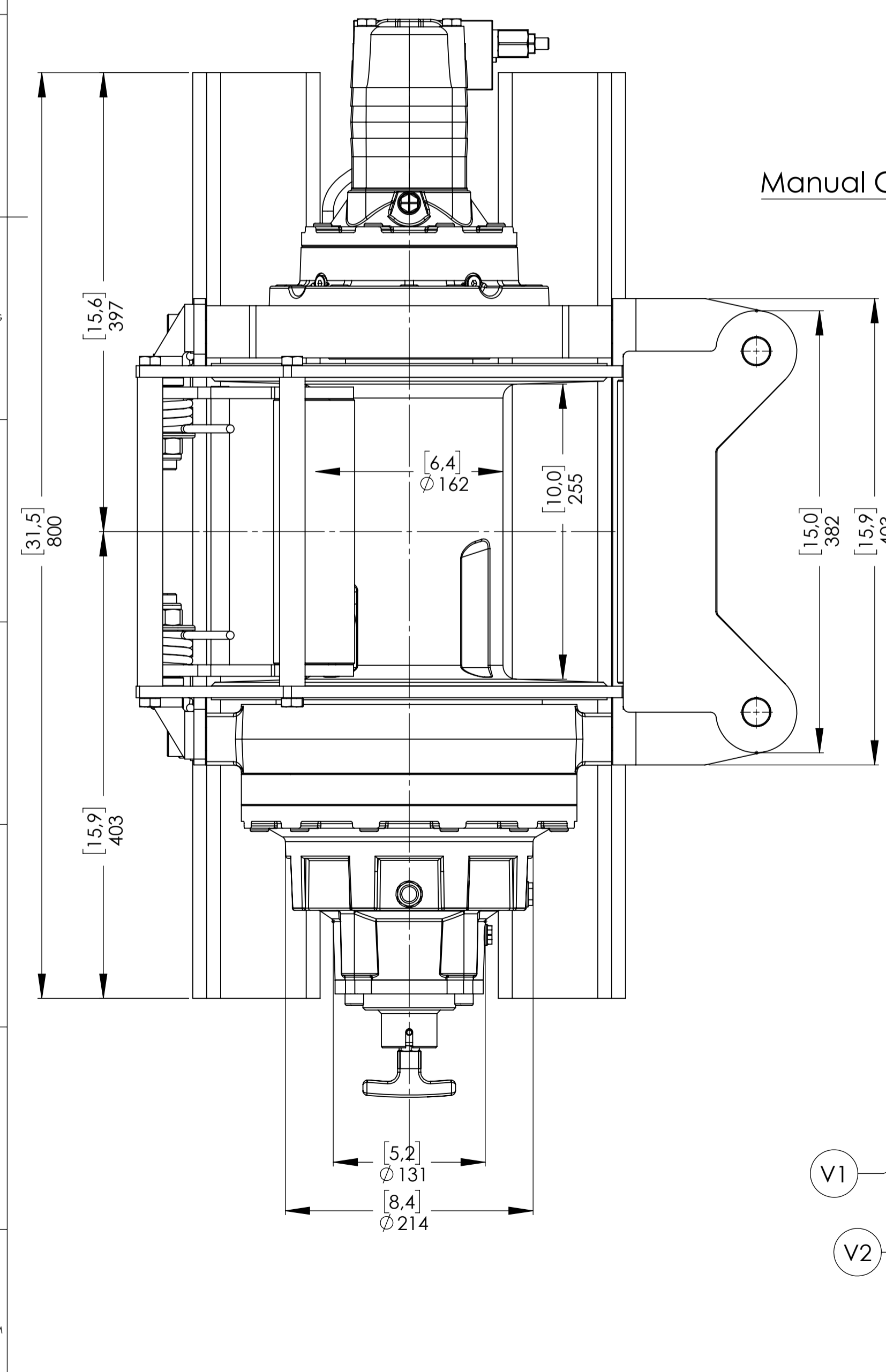
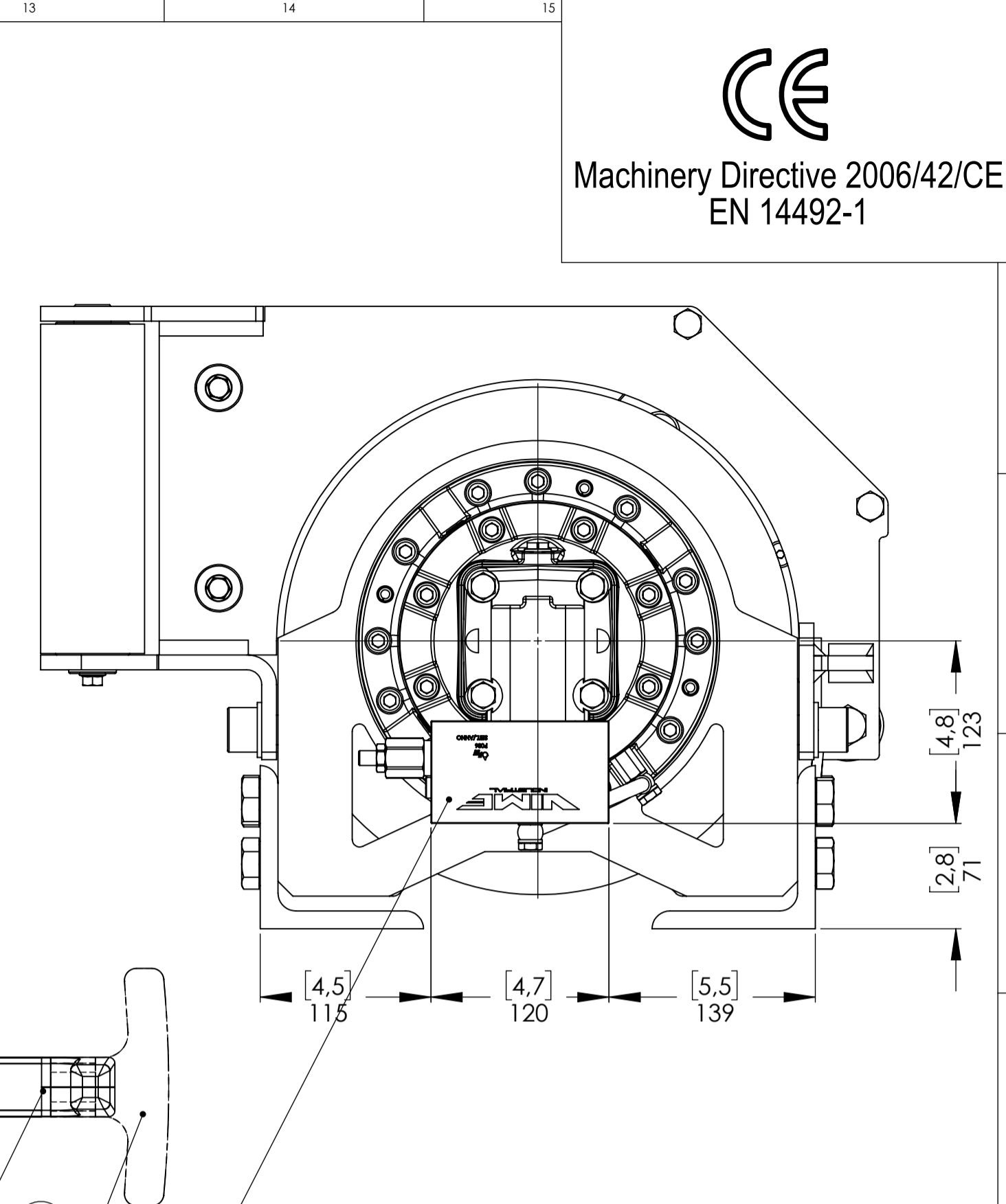
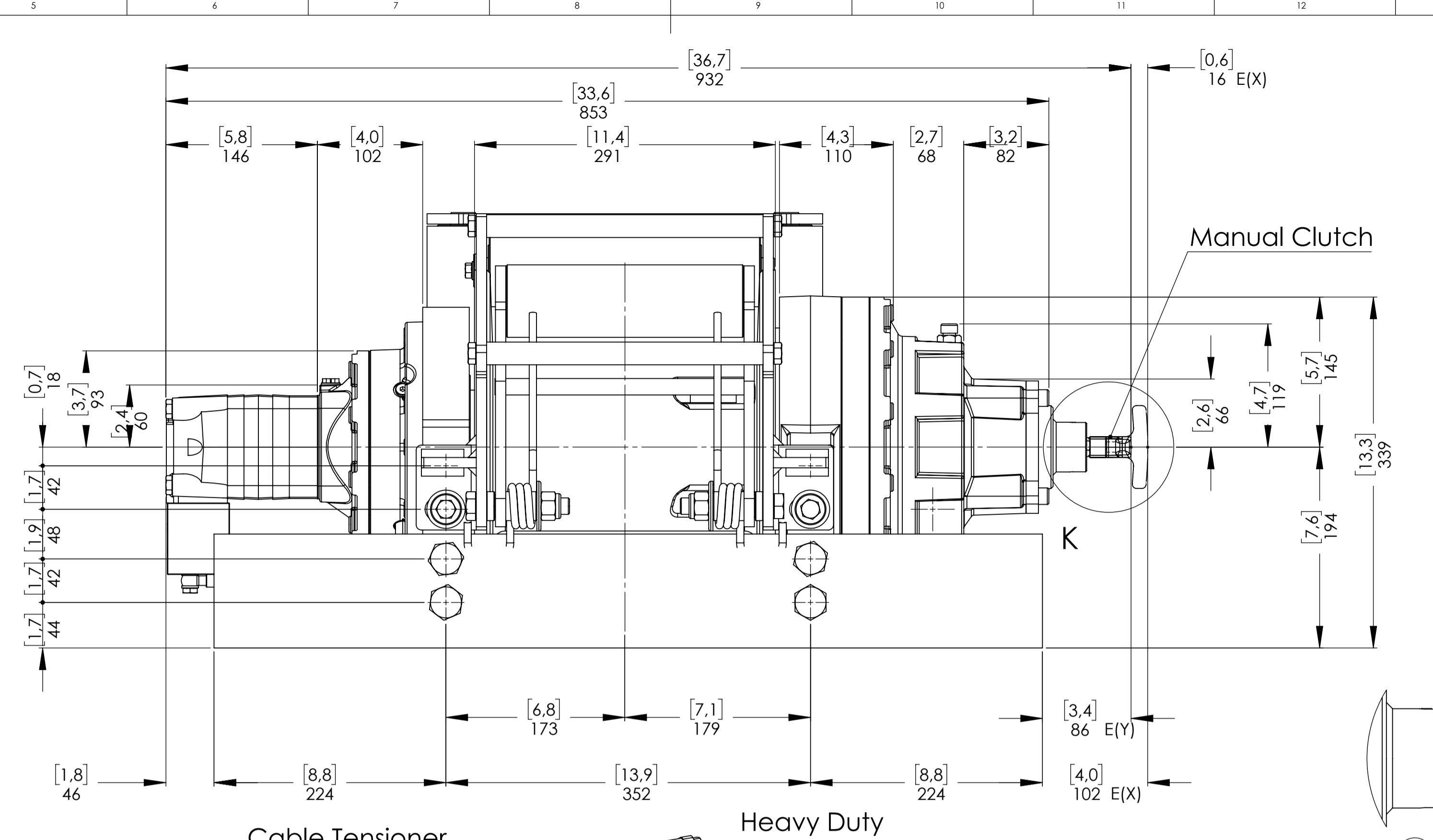
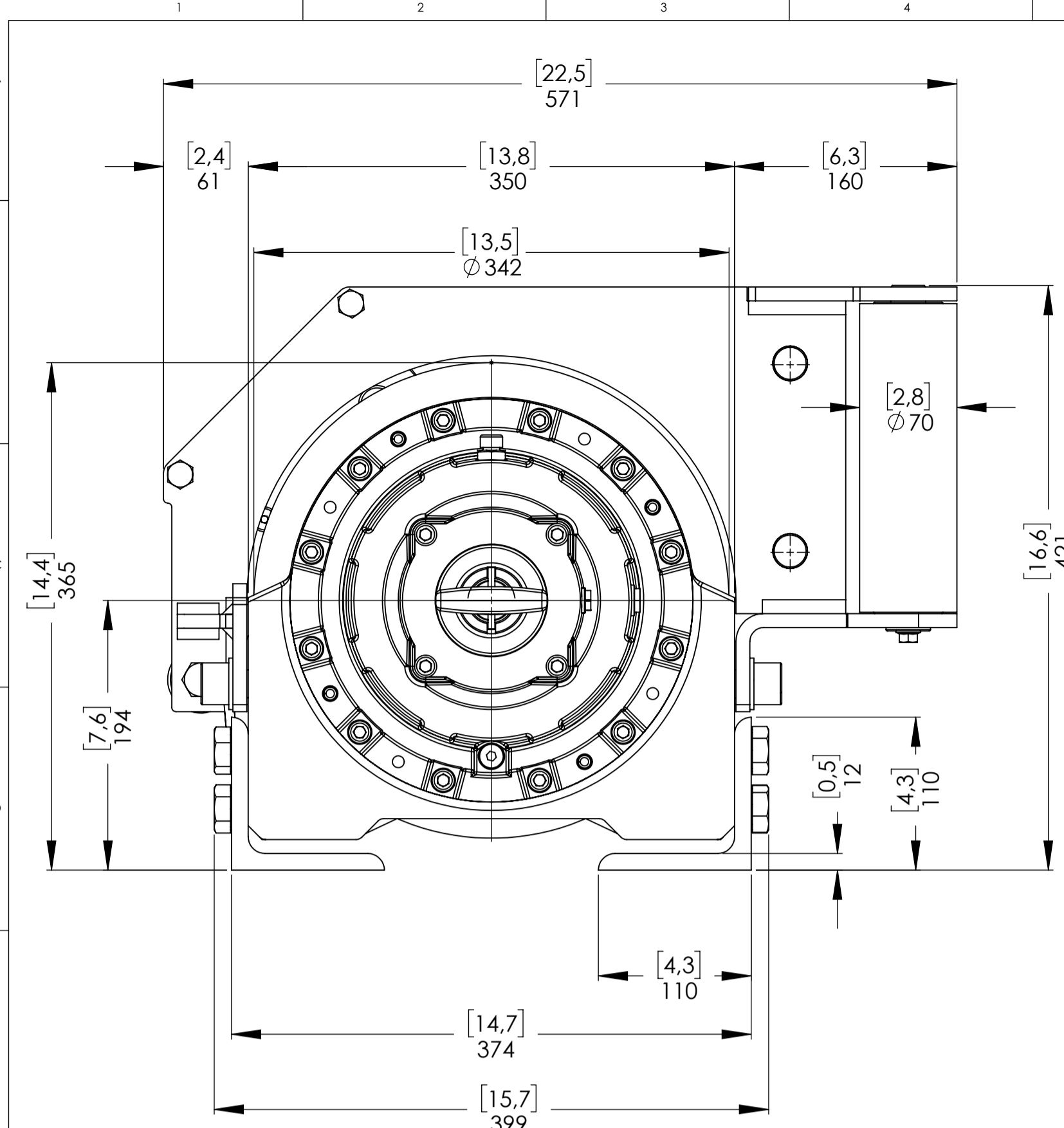
*AT THE MOMENT OF ORDER IS POSSIBLE REQUEST THE OVERCENTER VALVE PORTS ORIENTED ACCORDING TO THE LAYOUT ABOVE. IF NOT SPECIFIED, THE WINCH WILL BE SUPPLIED WITH THE OVERCENTER VALVE PORTS ORIENTED AS PER OUR STANDARD CONFIGURATION V6.

CONNECTIONS	
V1 OUT LET	G 3/4
V2 IN LET	G 3/4
C CASE DRAIN	G 1/4
E (X) DISENGAGED	G 1/8
E (Y) ENGAGED	RETURN SPRING

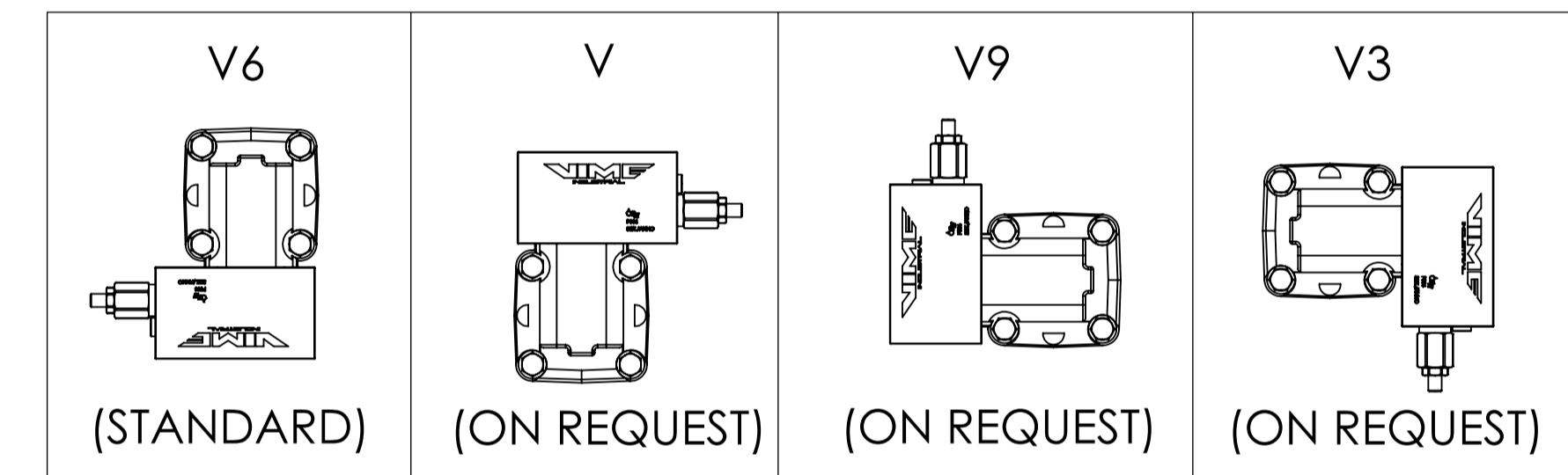
WINCH MODEL	EPHC 165 FN	WINCH GROUP	PLANETARY GEAR	PLUGS
Pulling capacity	16500 Kg	Date	Modification	1.Fill G 3/8
Max.Oil flow	75 Lt./Min.			2.Level G 3/8
Speed Line - first layer	5,6 Mt./Min.			3.Drain G 1/4
Speed Line - top layer	8,9 Mt./Min.			
		DANGEROUS: Do not use winch to lift support or transport personnel.		SCALE 1:3.5
		Gear ratio	1/22,69	WEIGHTS
		Orbital hydr. motor	315 cc	Winch (without oil) 198 Kg
		Working pressure	180 bar	Heavy-duty Roller fairlead 35 Kg
		Drum size	255 mm	Cable tensioner 8 Kg
		Drum clutch	Air-operated	
		VIME Industrial reserves the right to improve its products through changes in designed or materials as it may seem desiderablewithout notice		DATA 06/02/2017
		The Quality is Transparent		COD. EPHCFN165U31EAGPV6



Machinery Directive 2006/42/CE
EN 14492-1



OVERCENTER VALVE POSITION*



WINCH ORDERING CODE	AIR CLUTCH (STANDARD)	MANUAL CLUTCH (ON REQUEST)	HEAVY DUTY ROLLER FAIRLEAD (ON REQUEST)	CABLE TENSIONER (ON REQUEST)	OVER CENTER VALVE POSITION* (STANDARD V6)
EPHCFN165U31EAV6	X				X
EPHCFN165U31EAPV6	X			X	X
EPHCFN165U31EAGV6	X		X		X
EPHCFN165U31EAGPV6	X		X	X	X
EPHCFN165U31EV6		X			X
EPHCFN165U31EPV6		X		X	X
EPHCFN165U31EGV6		X	X		X
EPHCFN165U31EGPV6		X	X	X	X

*AT THE MOMENT OF ORDER IS POSSIBLE REQUEST THE OVERCENTER VALVE PORTS ORIENTED ACCORDING TO THE LAY OUT ABOVE. IF NOT SPECIFIED, THE WINCH WILL BE SUPPLIED WITH THE OVERCENTER VALVE PORTS ORIENTED AS PER OUR STANDARD CONFIGURATION V6.

CONNECTIONS	
V1 OUT LET	G 3/4
V2 IN LET	G 3/4
C CASE DRAIN	G 1/4
E (X) DISENGAGED	-----
E (Y) ENGAGED	-----

WINCH MODEL	EPHC 165 FN	WINCH GROUP	PLANETARY GEAR	PLUGS
Pulling capacity	16500 Kg	Date	Modification	1.Fill G 3/8
Max.Oil flow	75 Lt./Min.			2.Level G 3/8
Speed Line - first layer	5,6 Mt./Min.			3.Drain G 1/4
Speed Line - top layer	8,9 Mt./Min.			SCALE 1:3.5
				WEIGHTS
				Winch (without oil) 198 Kg
				Heavy-duty Roller fairlead 35 Kg
				Cable tensioner 8 Kg
				COD. EPHCFN165U31EGPV6



Funo - Bologna (Italy)
www.vimeindustrial.com

The Quality is Transparent

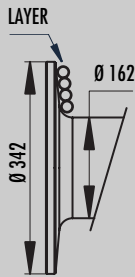
Gear ratio 1/22,69
Orbital hydr. motor 315 cc
Working pressure 180 bar
Drum size 255 mm
Drum clutch Manual
VIME Industrial : reserves the right to improve its products through changes in designed or materials as if may seem desiderablewithout notice
DATA 06/02/2017

1.4.13 EPHC 165 FN CE TECHNICAL DATA


FEATURES EPHC 165 FN CE (315 cc.)	
LINE PULL FIRST LAYER	16.500 KGF
LINE SPEED FIRST LAYER	5,6 MT/MIN.
MAX. WORKING PRESSURE	180 BAR
MAX. OIL SUPPLY	75 LT/MIN
MIN. OIL SUPPLY	20 LT/MIN
WIRE ROPE SIZE (EN 14492-1)	*18 MM
WIRE ROPE MINIMUM BREAKING ROPE (EN 14492-1)	33.000 KG
MAX. WIRE ROPE CAPACITY (EN 14492-1)	**30 MT

LINE SPEED [MT/MIN]							
	OIL SUPPLY [LT/MIN]	DRUM REVOLUTION [RPM]	LINE SPEED PER LAYER [MT/MIN]				
			1	2	3	4	5
ROPE 18 MM	40	4,9	2,8	3,4	3,9	4,5	5
	60	7,8	4,4	5,3	6,1	7	7,9
	75	9,9	5,6	6,7	7,8	8,9	10,1
-	-	-	-	-	-	-	-
-	-	-	-	-	-	-	-
-	-	-	-	-	-	-	-

WIRE ROPE QUANTITY ON LAYER (DRUM LENGTH EPHC FN= 255 MM)							
LAYER	LAYER	DRUM DIAMETER [MM]		WIRE ROPE ON LAYER [MT]		WIRE ROPE QUANTITY [MT]	
		18 MM	-	18 MM	-	18 MM	-
	6	-	-	-	-	-	-
	5	324	-	13,4	-	52,1	-
	4	288	-	11,9	-	38,7	-
	3	252	-	10,4	-	26,8	-
	2	216	-	8,9	-	16,4	-
	1	180	-	7,4	-	7,4	-
	0	162	-	-	-	-	-



LINE PULL [KGF]		
RATIO	LAYER	LINE PULL [KGF]
22,69:1	1	16.500
	2	13.750
	3	11.780
	4	10.300
	5	9.160
-	-	-
-	-	-
-	-	-
-	-	-
-	-	-

NOTE 

Specifications are subject to change without notification and without incurring obligation. Specifications in this publication are theoretical and may vary depending on hydraulic system, environment, etc.

*Wire rope size must be respected. Recommended wire rope min. tensile strength 2160 N/mm². Wire rope minimum breaking load must be at least double of winch max. pulling capacity.

** Max. wire rope capacity according with EN 14492-1.

WEIGHT [KG]	
WINCH (WITHOUT CABLE)	198
ACCESSORY : ROLLERFAIRLEAD	35
ACCESSORY : CABLE TENSIONER	8

1.4.14 EPHC 165 FN CE WINCH PERFORMANCE CHARTS AT THE 1ST LAYER

