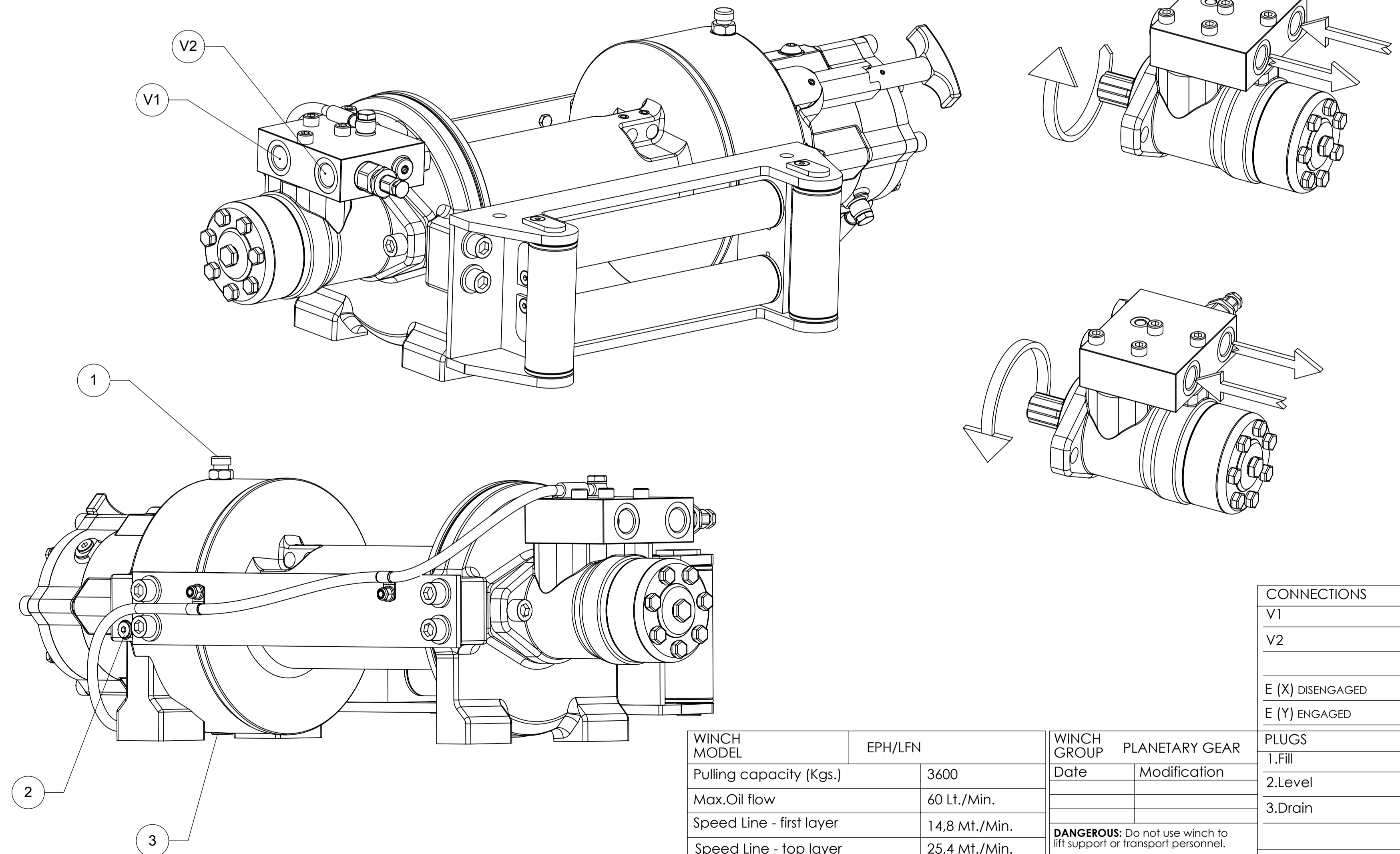
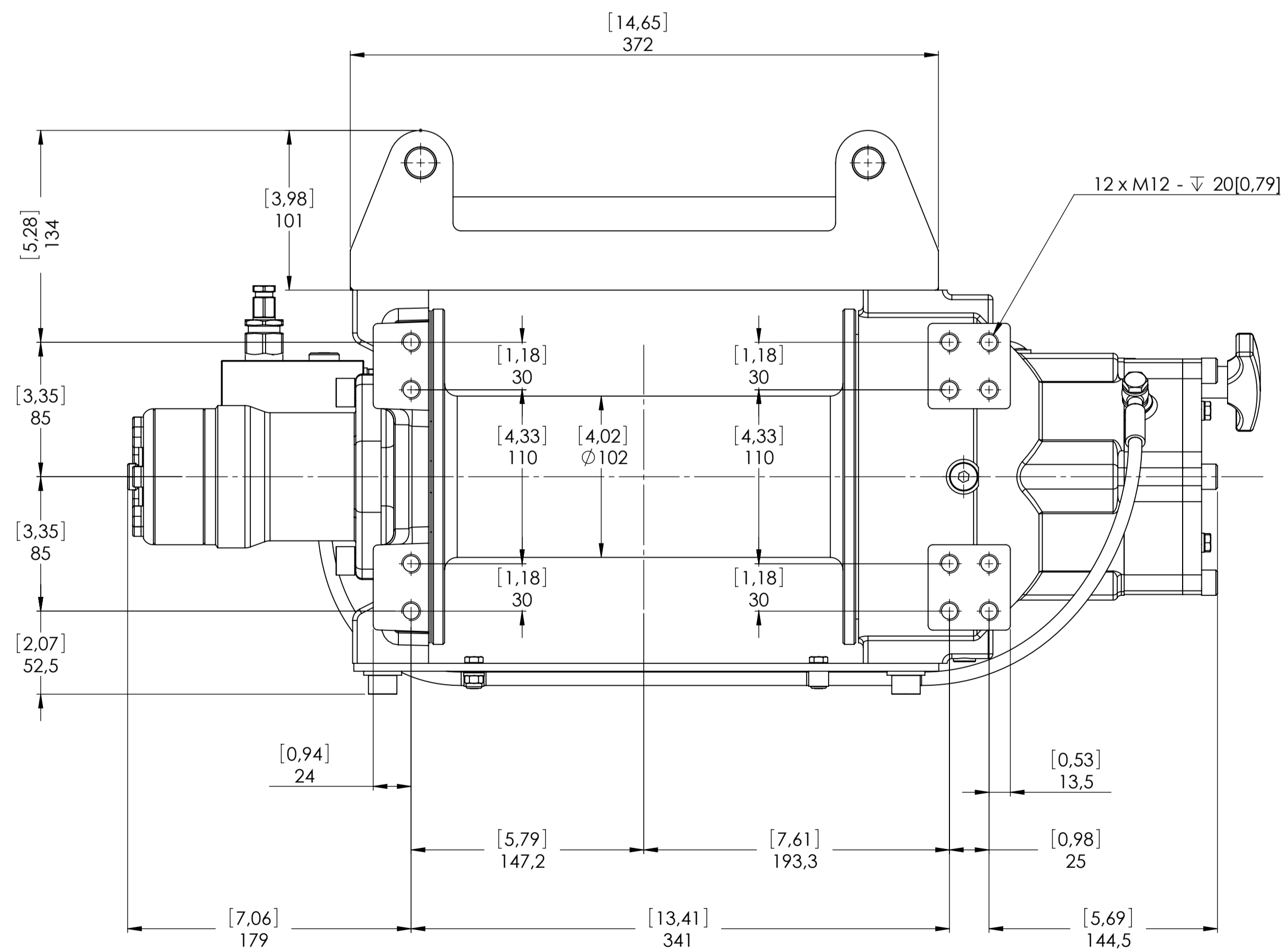
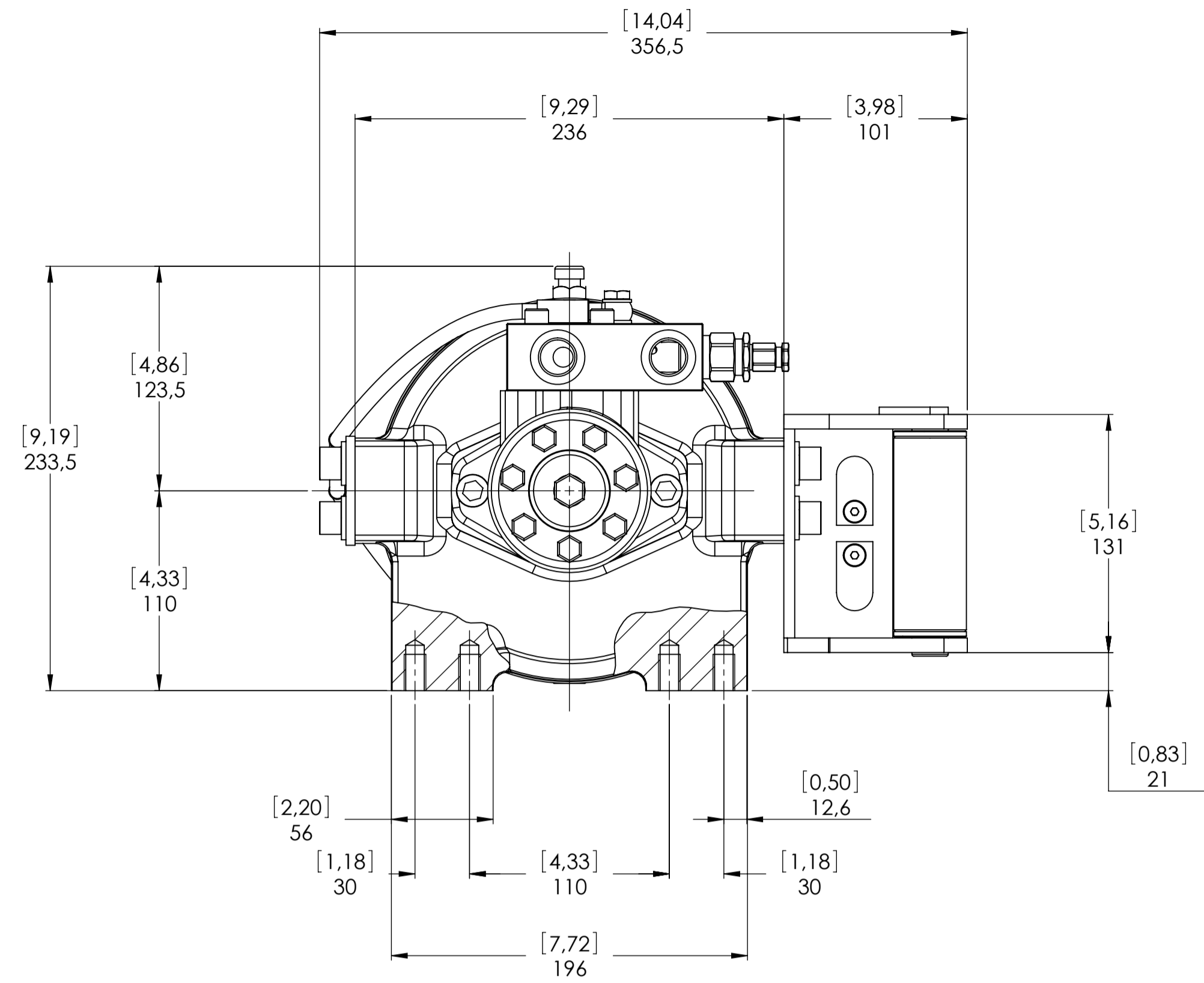
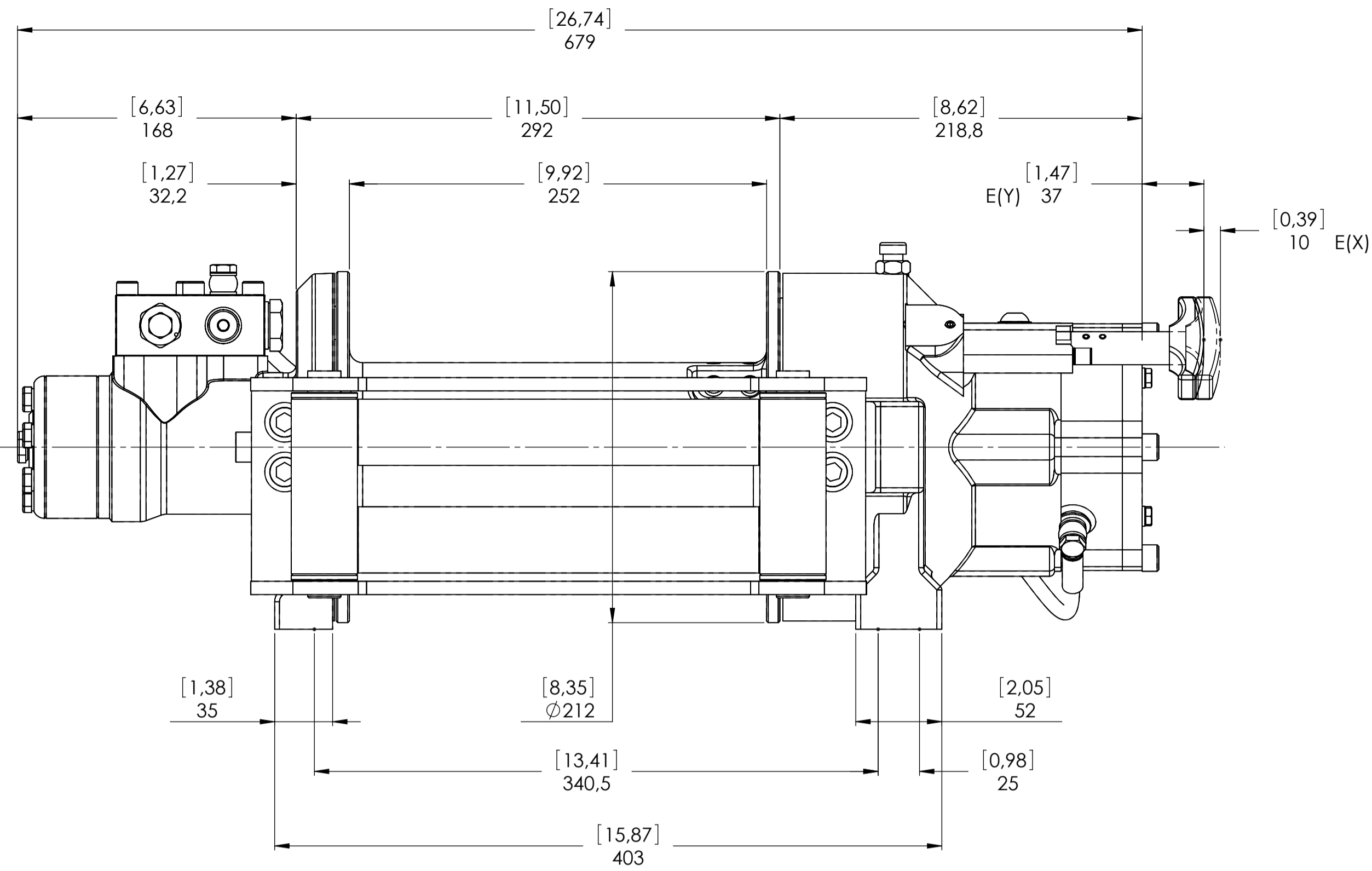
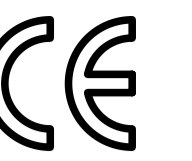


Machinery Directive 2006/42/CE
EN 14492-1

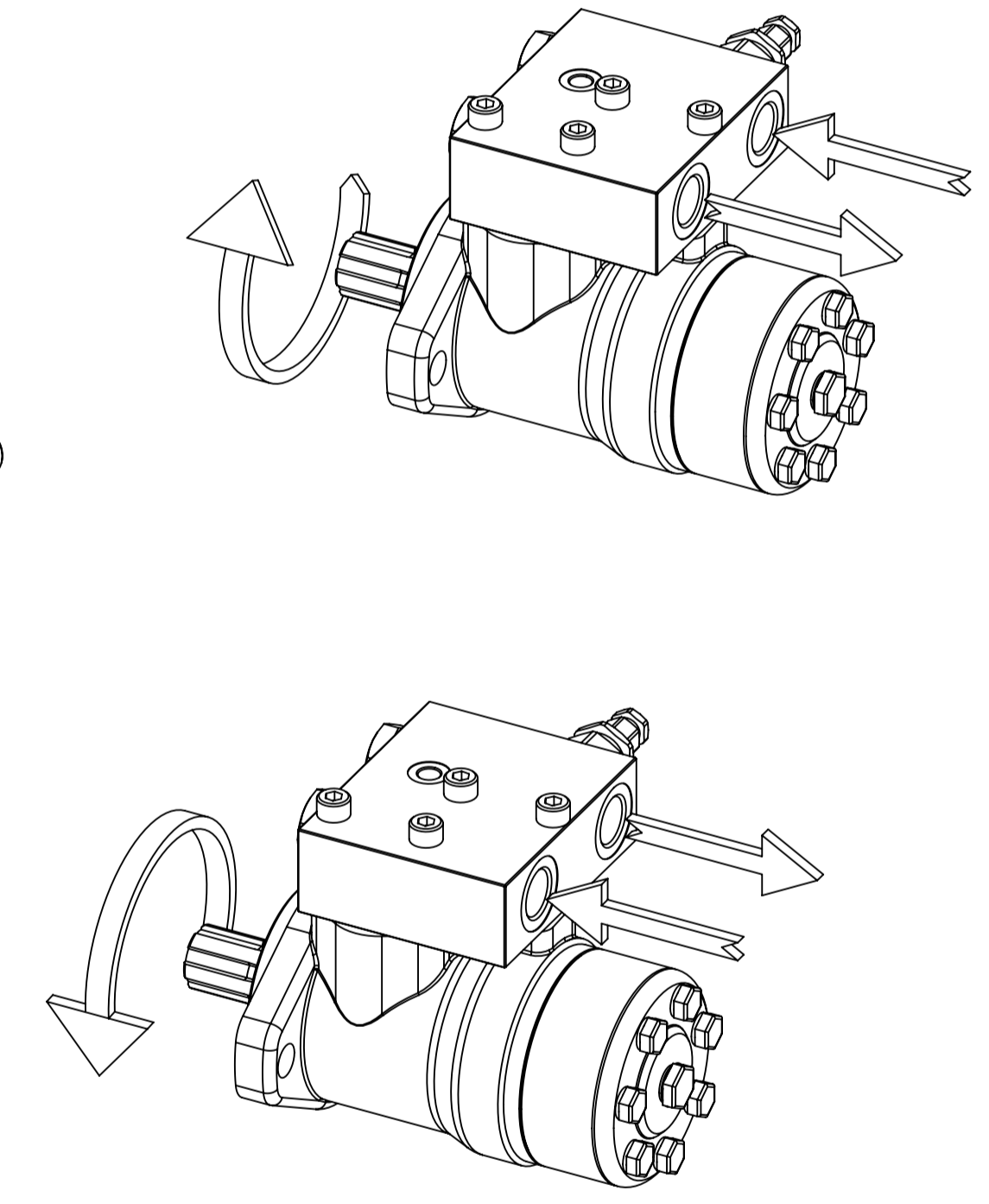
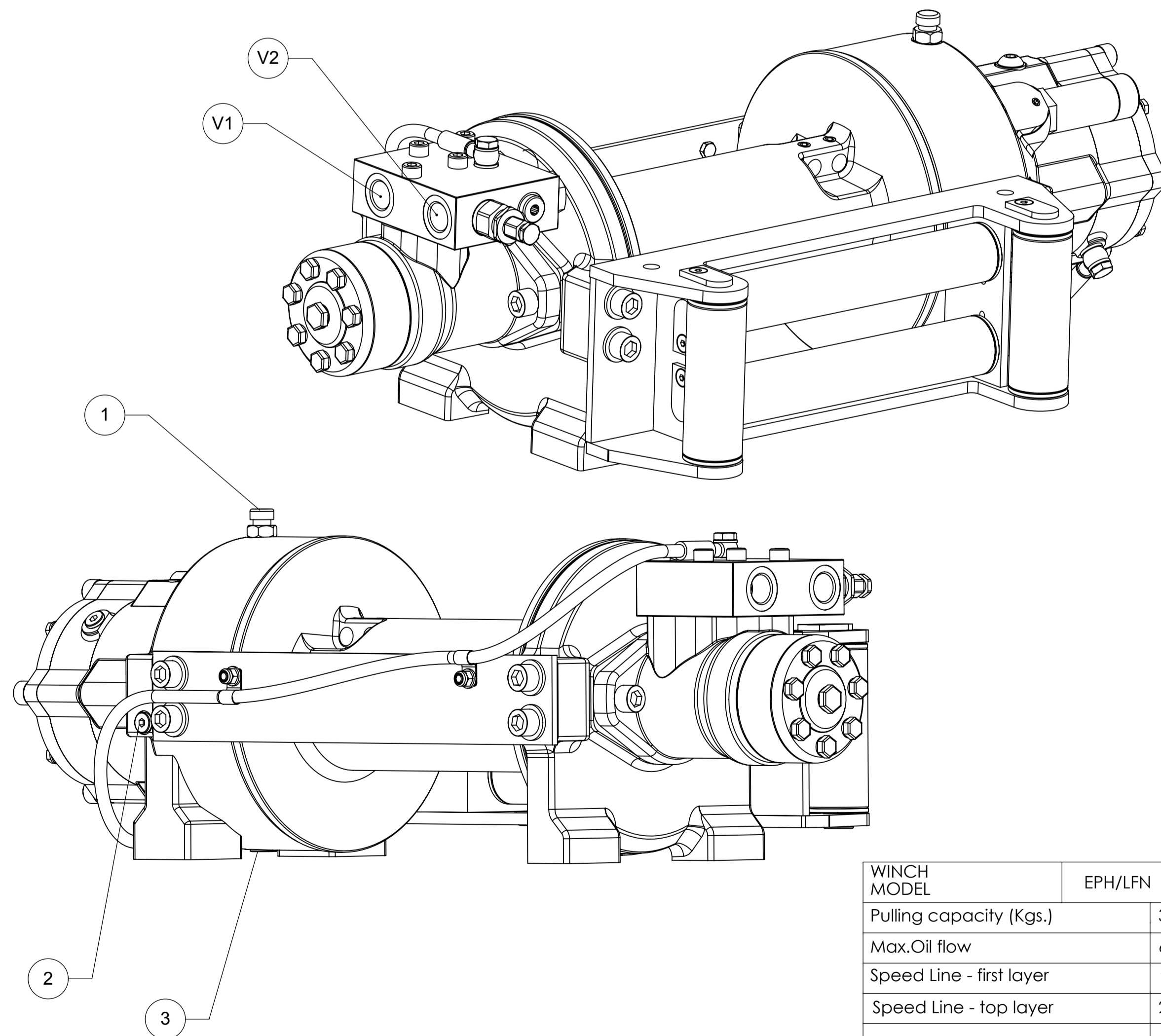
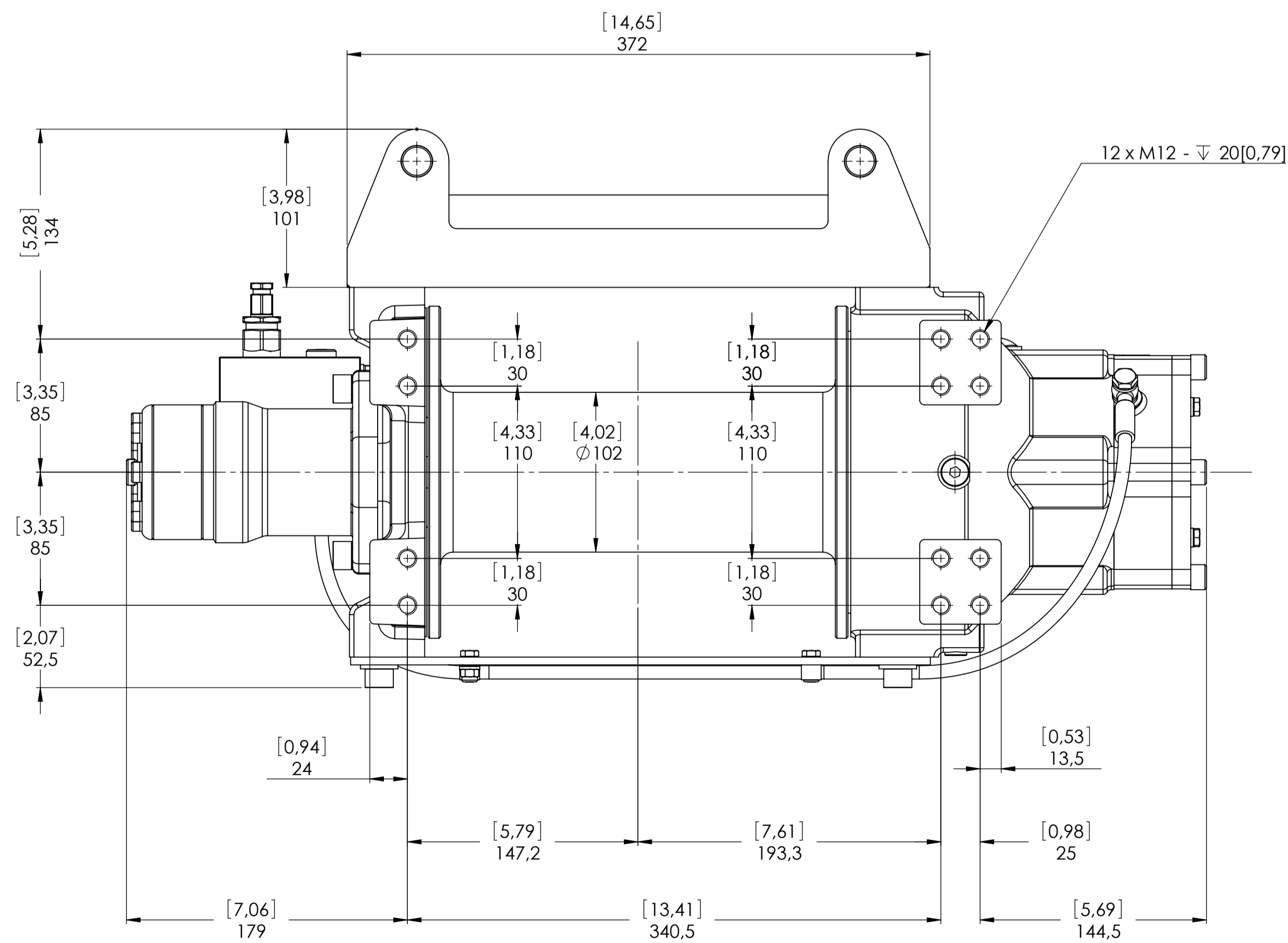
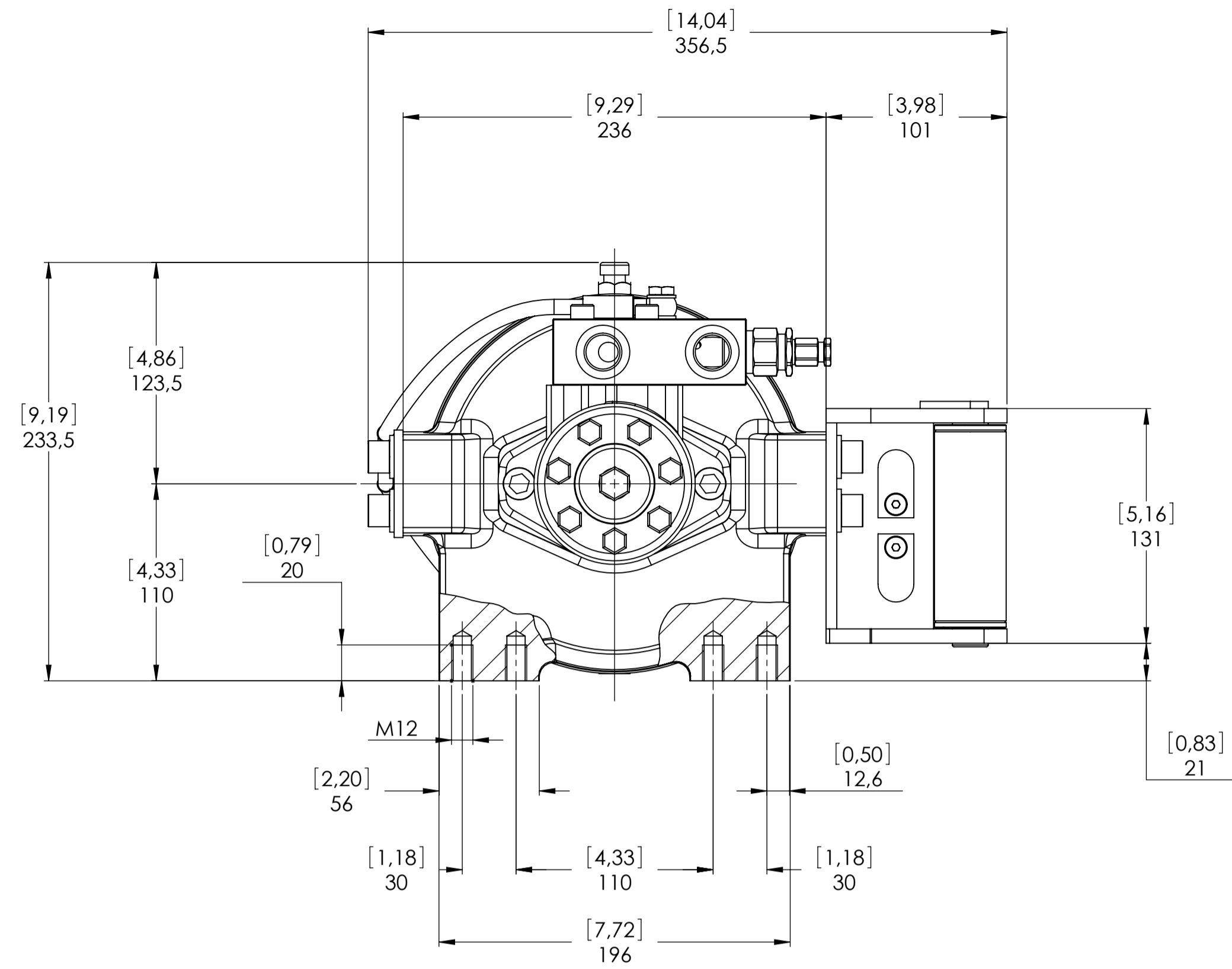
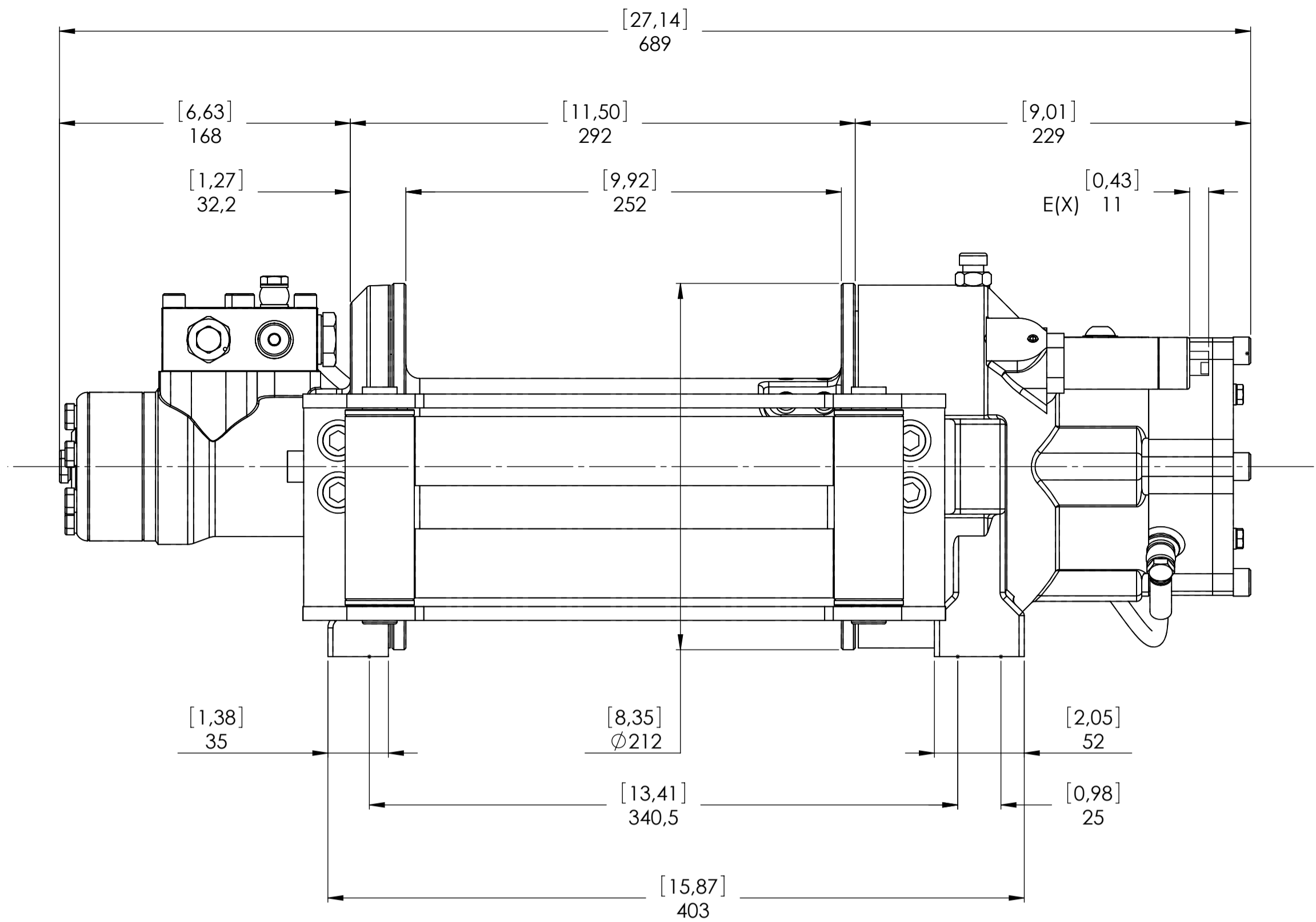


WINCH MODEL		EPH/LFN		WINCH GROUP PLANETARY GEAR		PLUGS	
Pulling capacity (Kgs.)	3600	Date	Modification	1.Fill	1/4"G	2.Level	1/8"G
Max.Oil flow	60 Lt./Min.	DANGEROUS: Do not use winch to lift support or transport personnel.		3.Drain	1/4"G	SCALE	
Speed Line - first layer	14,8 Mt./Min.			1: 2.5			
Speed Line - top layer	25,4 Mt./Min.	Gear ratio		5,3 : 1		WEIGHTS	
 Funo - Bologna (Italy) www.vimeindustrial.com		Orbital hydr. motor		250 cc		Winch	47,8 Kgs.
		Working pressure		160 Bar		Heavy-duty Roller fairlead	9,8 Kgs.
		Drum size		252		Rope tensioner	2 Kgs.
		Drum clutch		Manual		CODE	EPH/LFN36D250GV
The Quality is Transparent		VIME Industrial reserves the right to improve its products through changes in designed or materials as it may seem desirable without notice		DATE		26/04/2010	

CONNECTIONS	
V1	1/2"G
V2	1/2"G
E (X) DISENGAGED	-----
E (Y) ENGAGED	-----

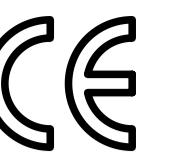


Machinery Directive 2006/42/CE
EN 14492-1

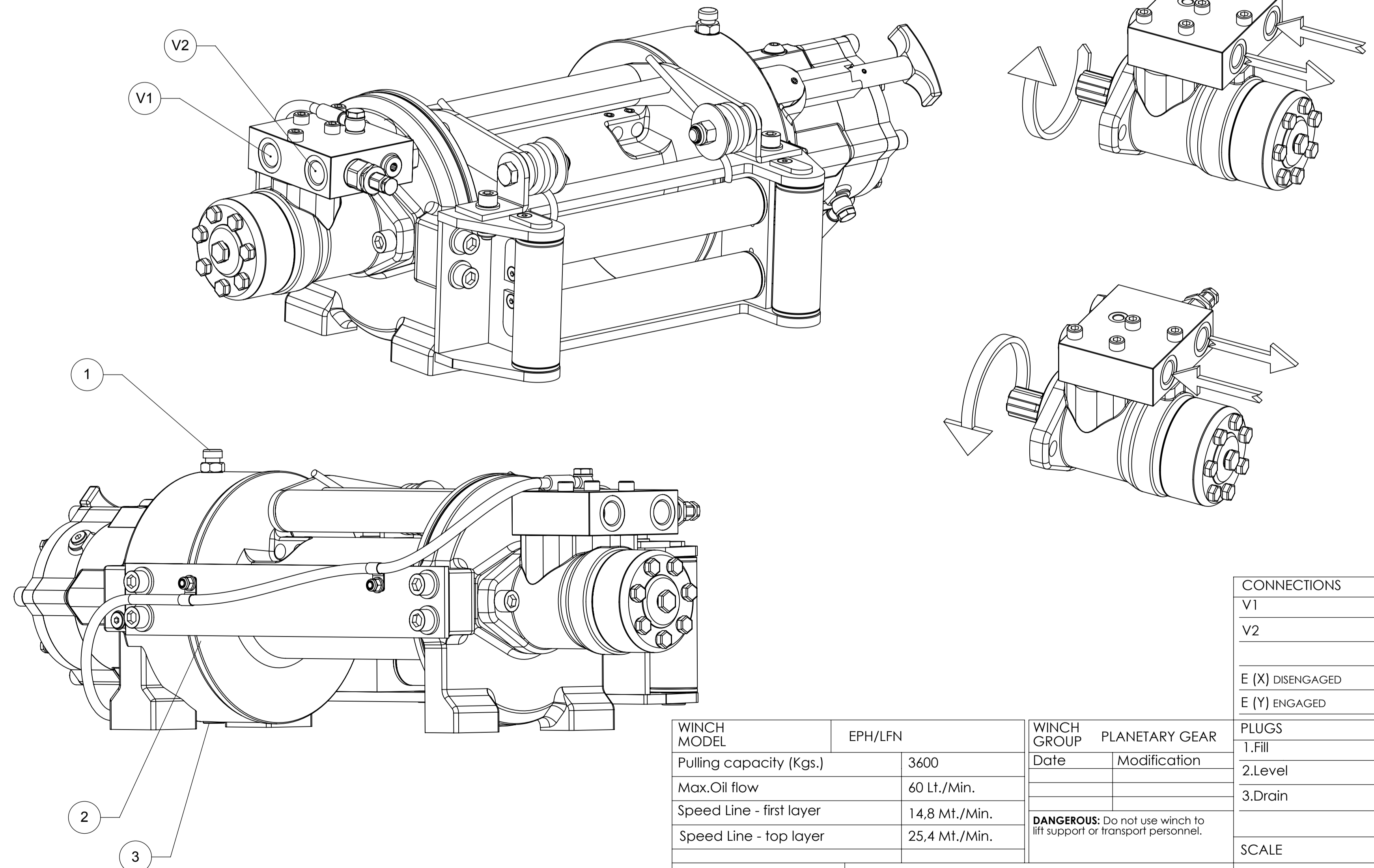
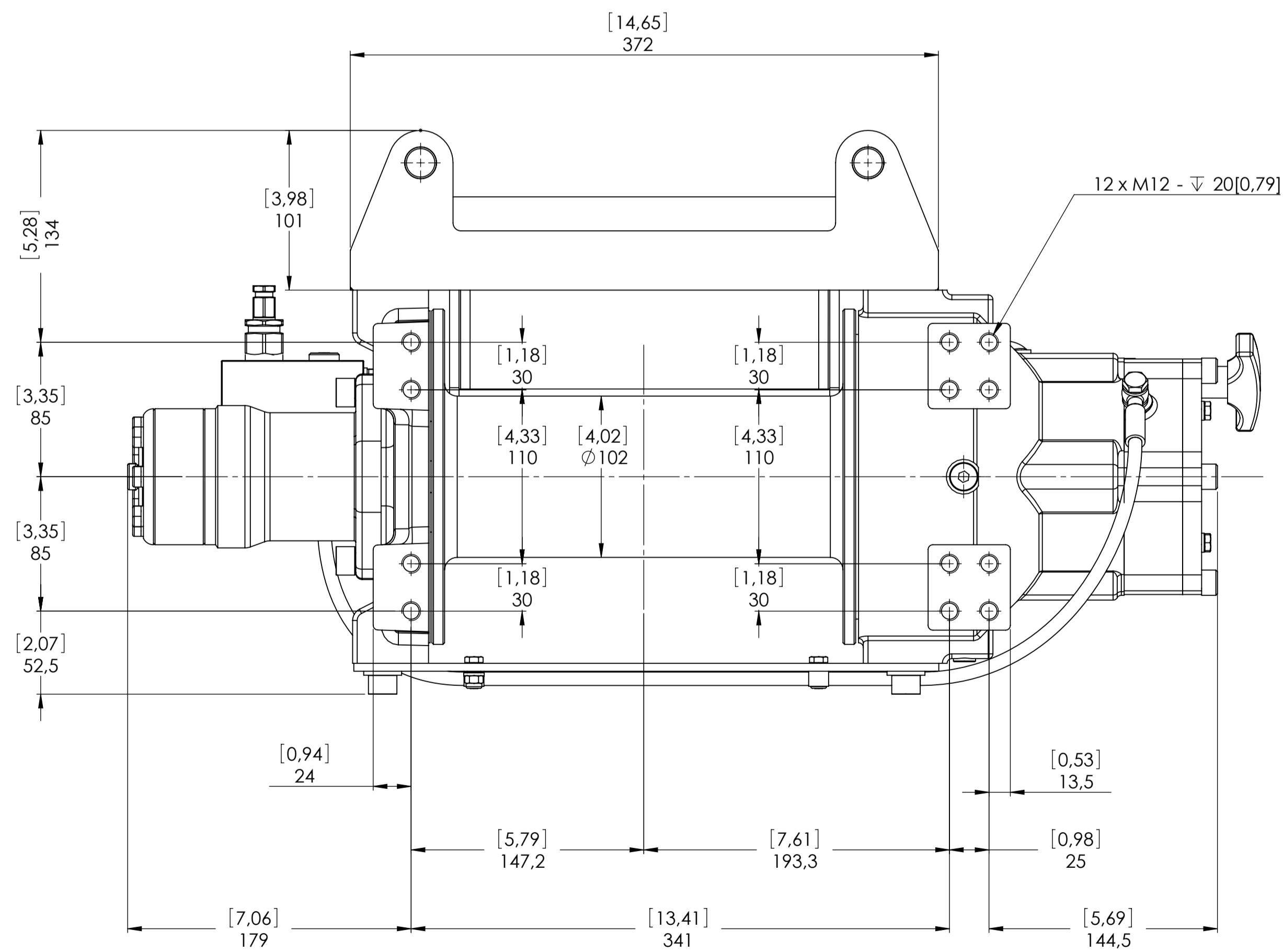
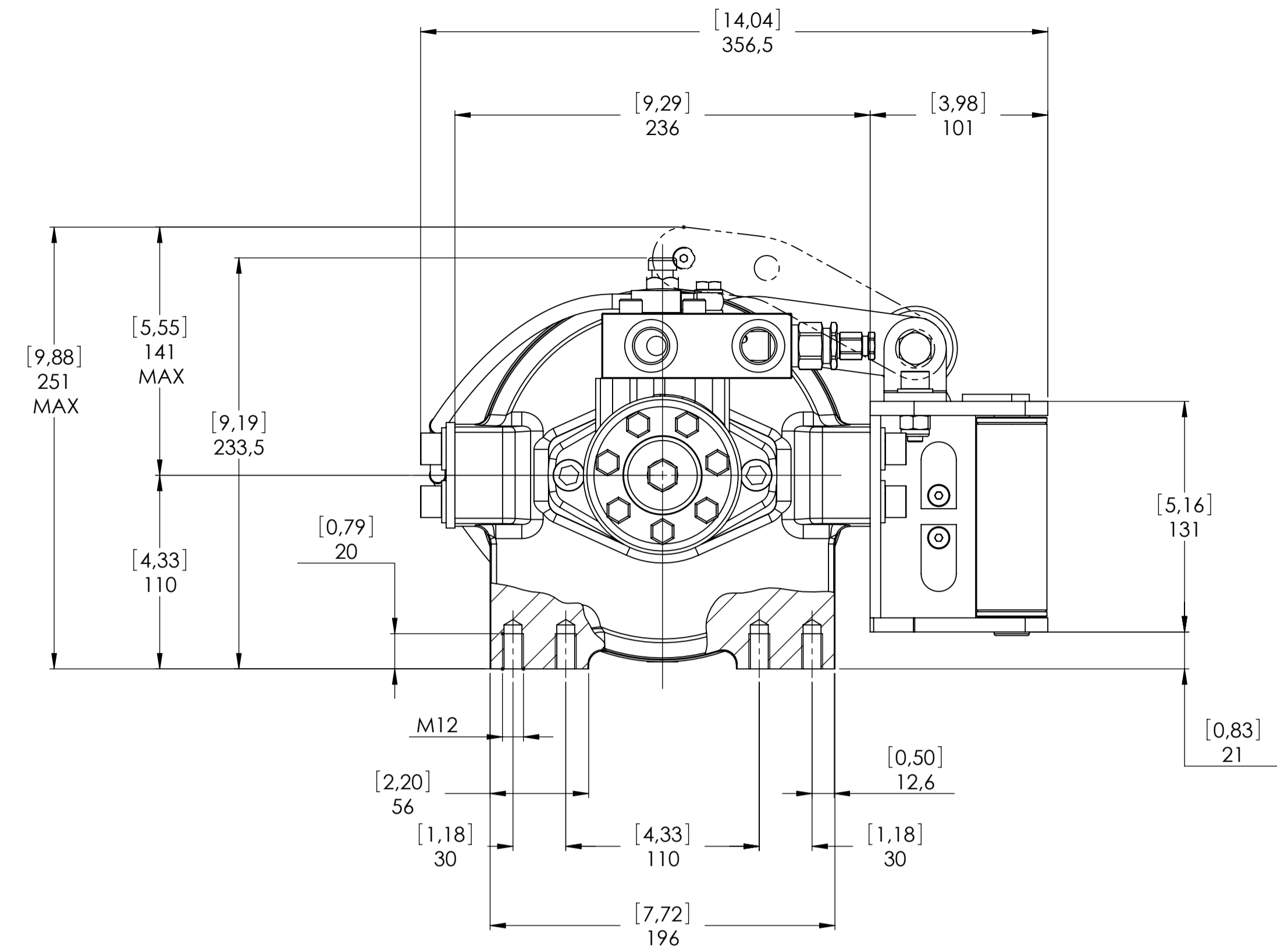
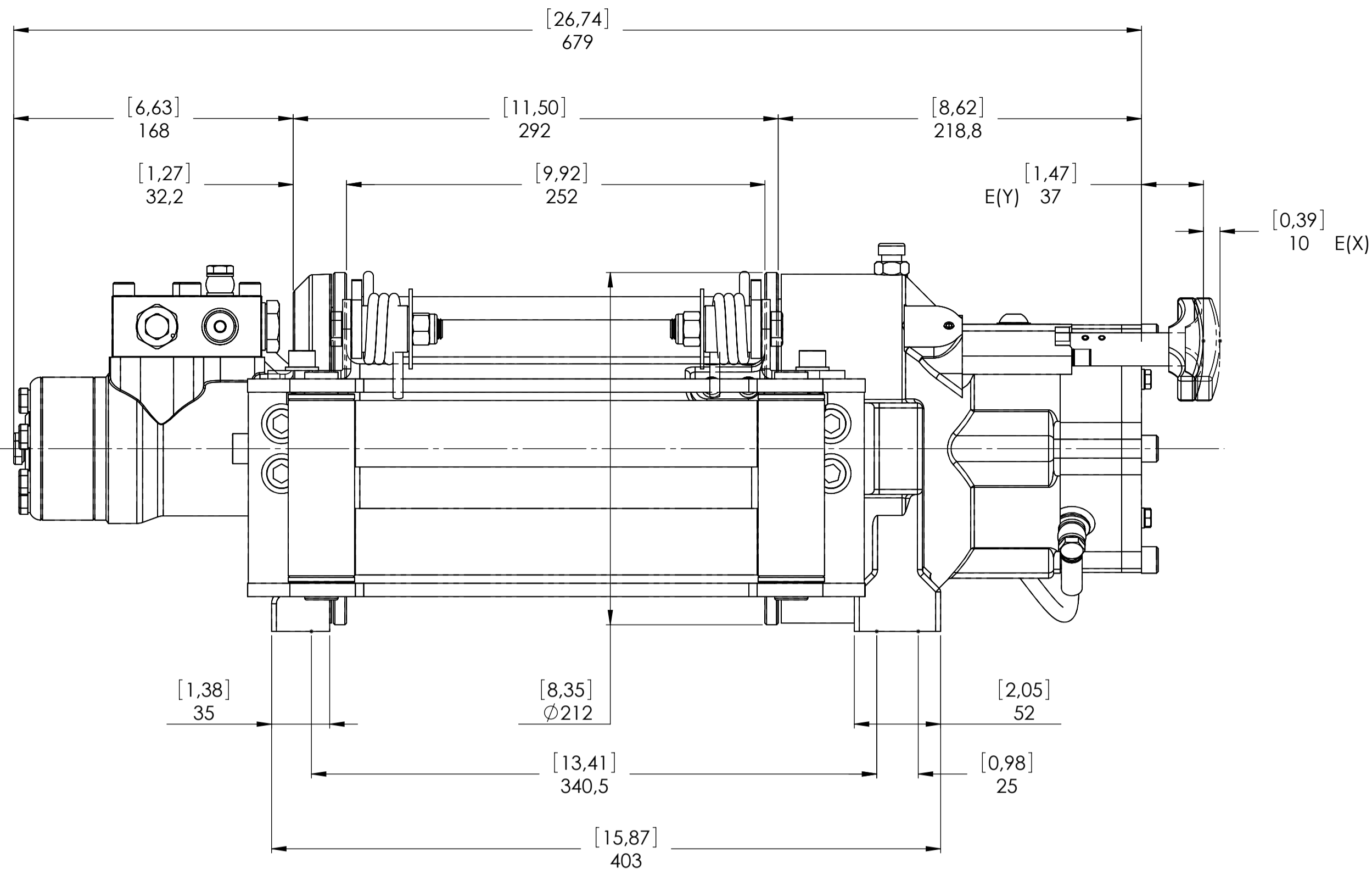


WINCH MODEL	EPH/LFN	WINCH GROUP	PLANETARY GEAR	PLUGS
Pulling capacity (Kgs.)	3600	Date	Modification	1.Fill 1/4"G
Max.Oil flow	60 Lt./Min.	DANGEROUS: Do not use winch to lift support or transport personnel.		2.Level 1/8"G
Speed Line - first layer	14,8 Mt./Min.			3.Drain 1/4"G
Speed Line - top layer	25,4 Mt./Min.			SCALE 1: 2,5
 Funo - Bologna (Italy) www.vimeindustrial.com				WEIGHTS
				Gear ratio 5,3 : 1
				Heavy-duty Roller fairlead 9,8 Kgs.
				Rope tensioner 2 Kgs.
The Quality is Transparent				CODE EPHLFN36D250AGV
				DATE 26/04/2010

CONNECTIONS	
V1	1/2"G
V2	1/2"G
E (X) DISENGAGED	1/8" G
E (Y) ENGAGED	RETURN SPRING

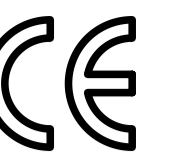


Machinery Directive 2006/42/CE
EN 14492-1

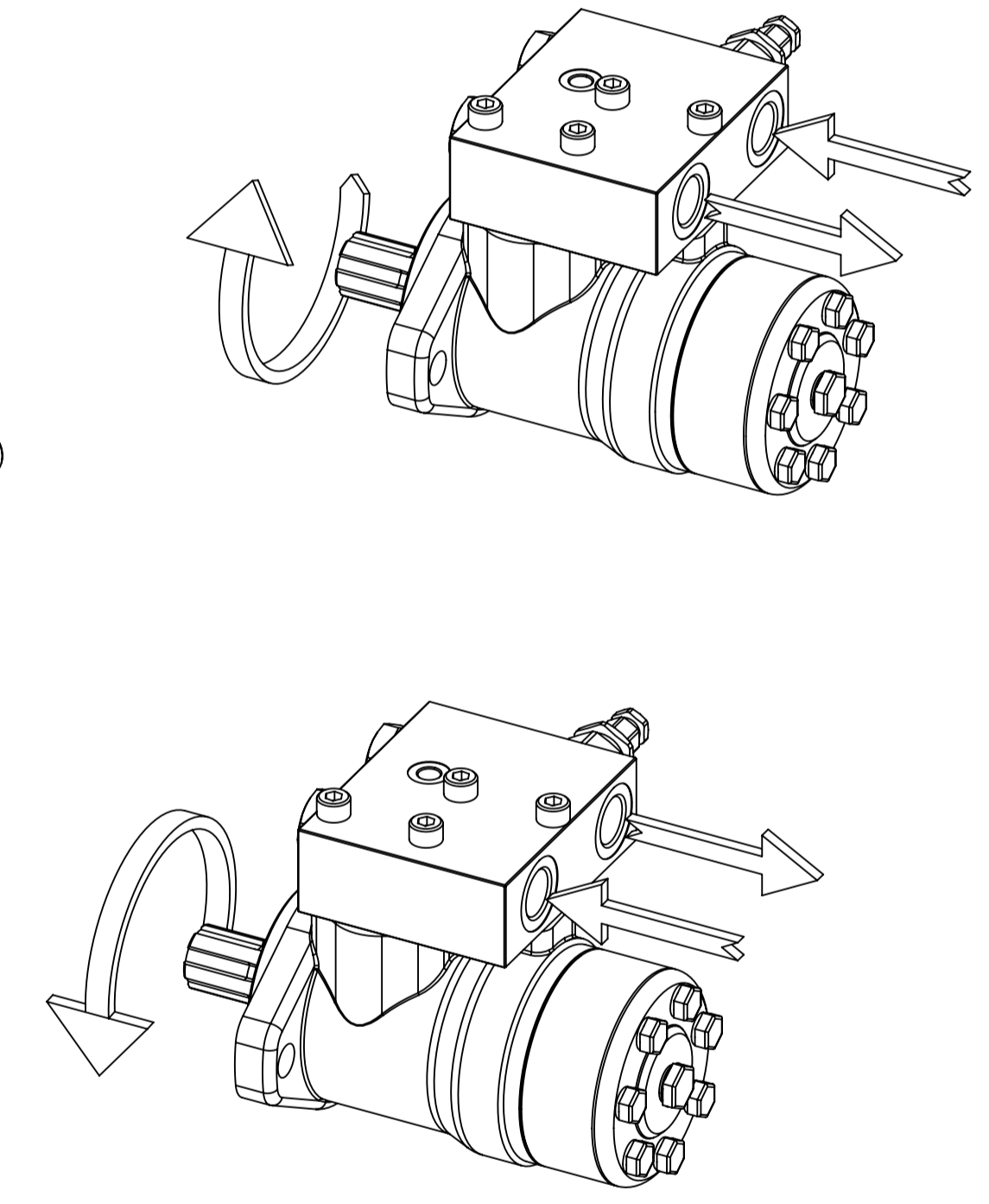
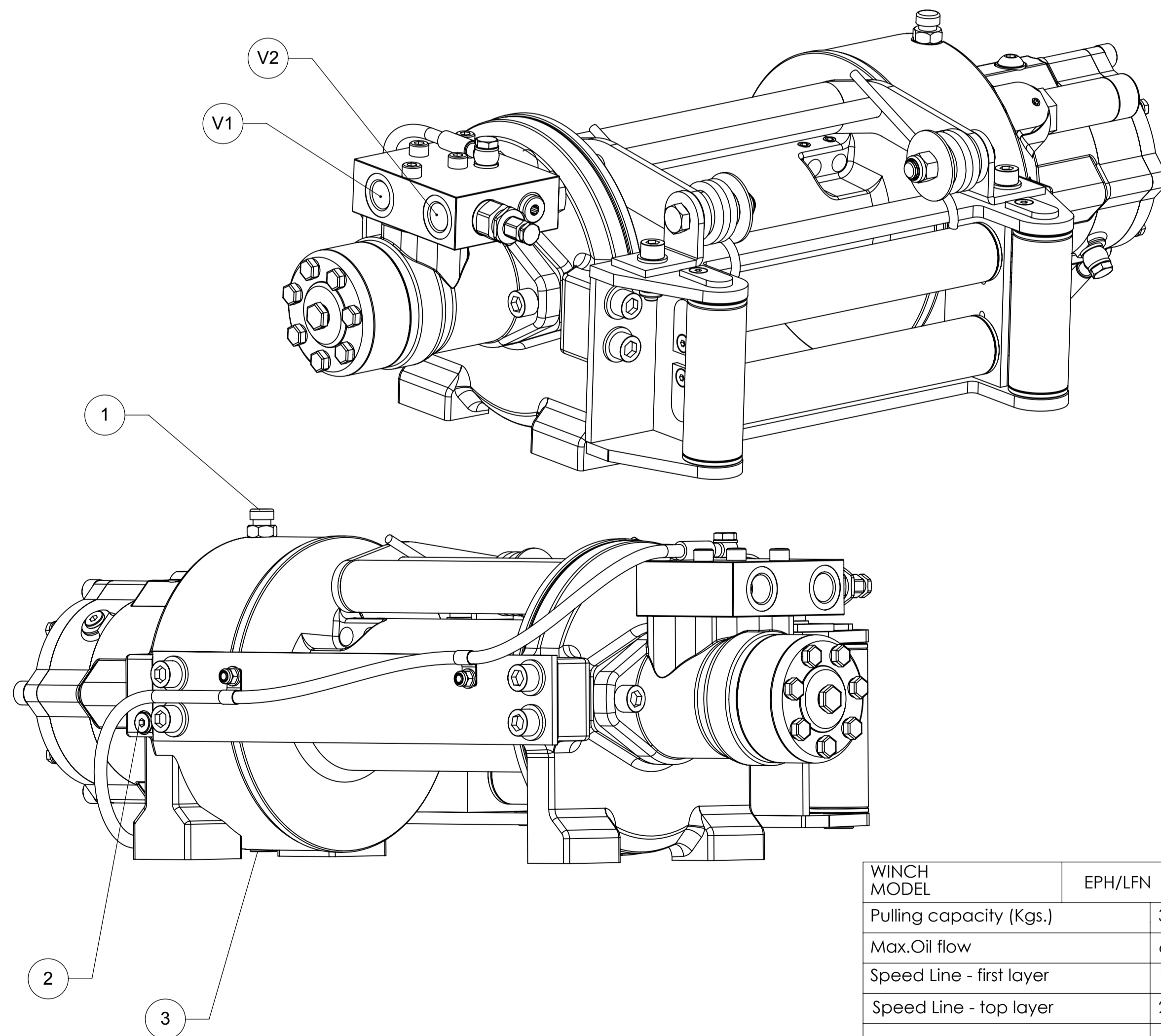
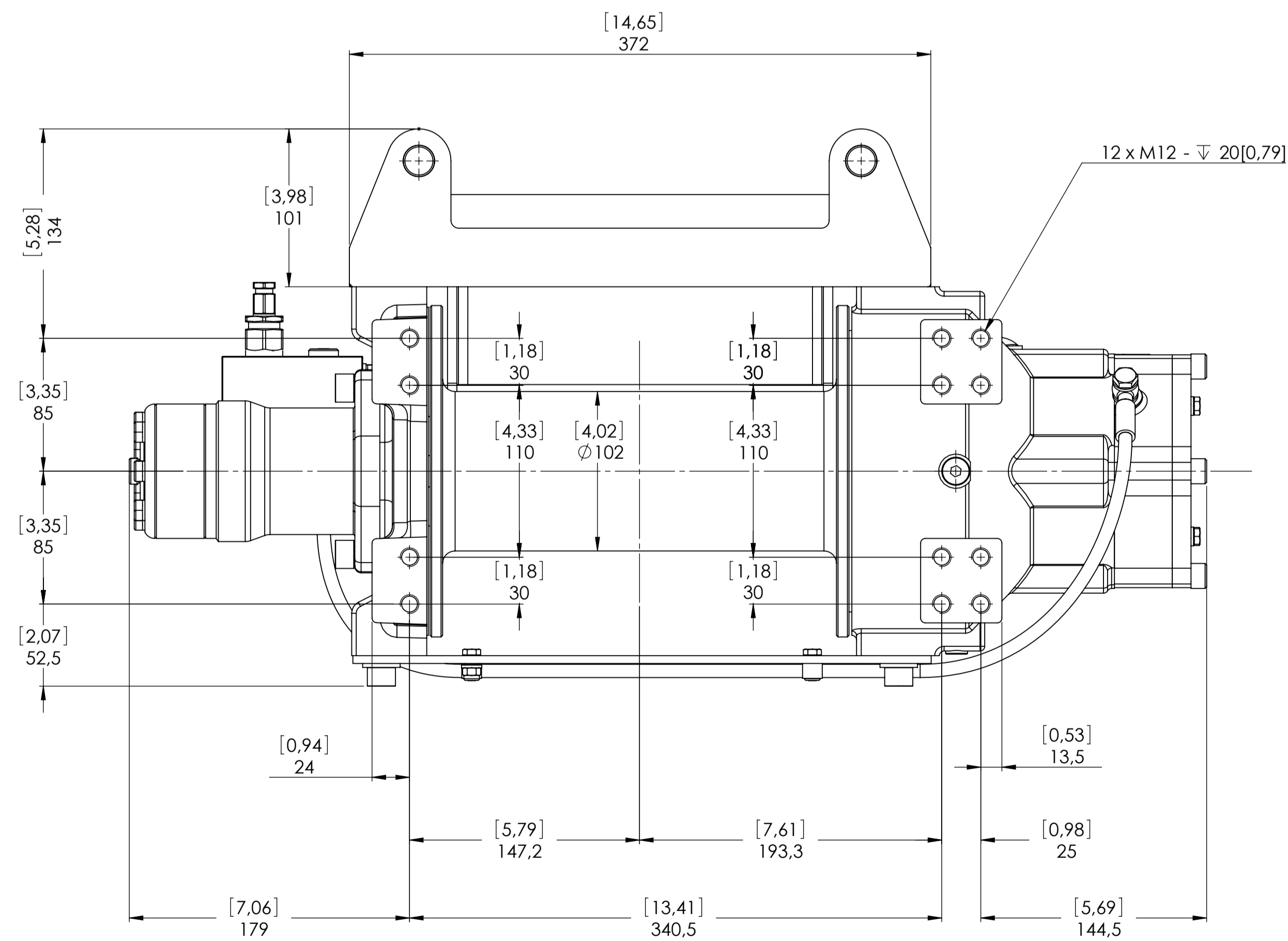
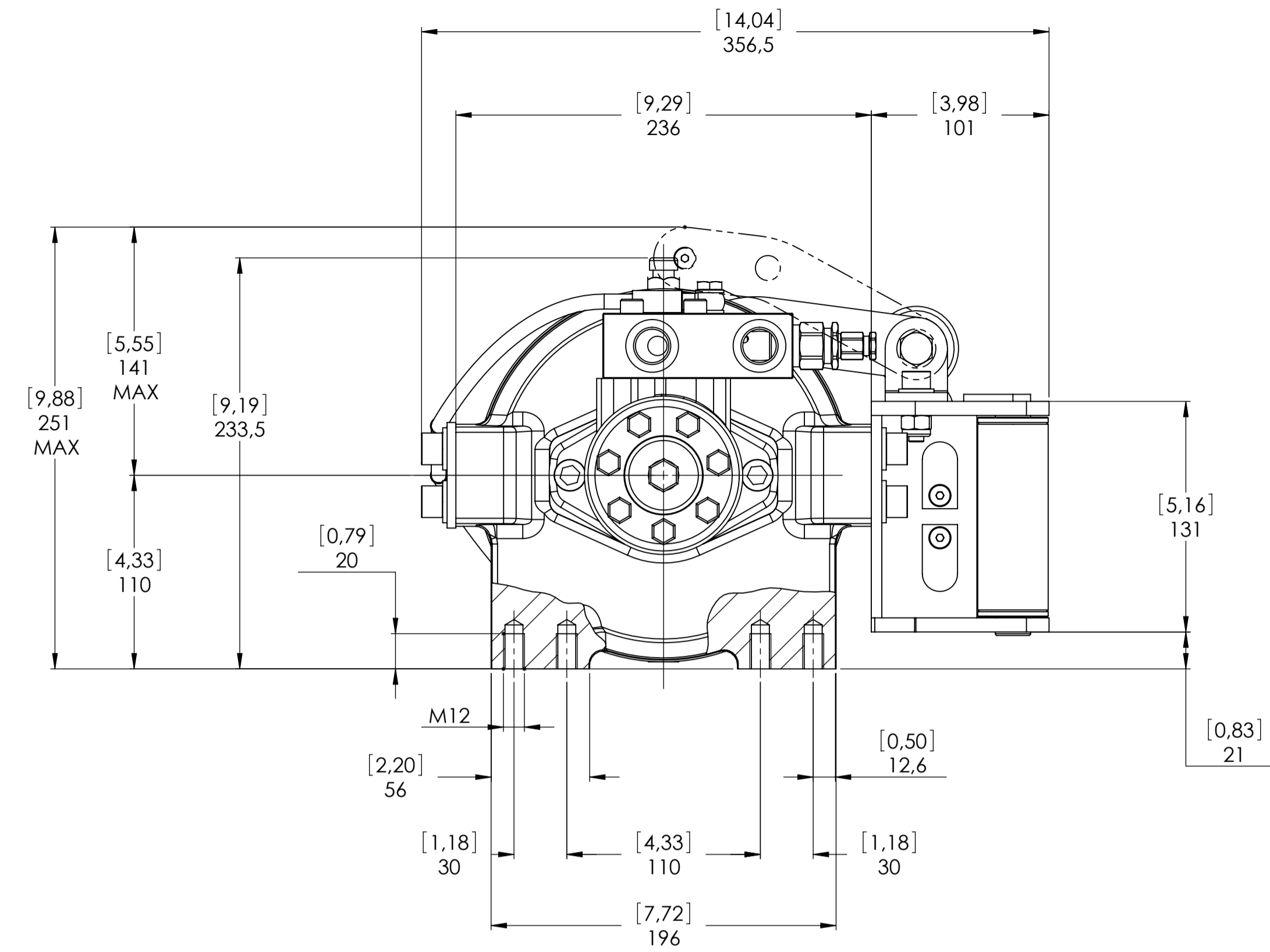
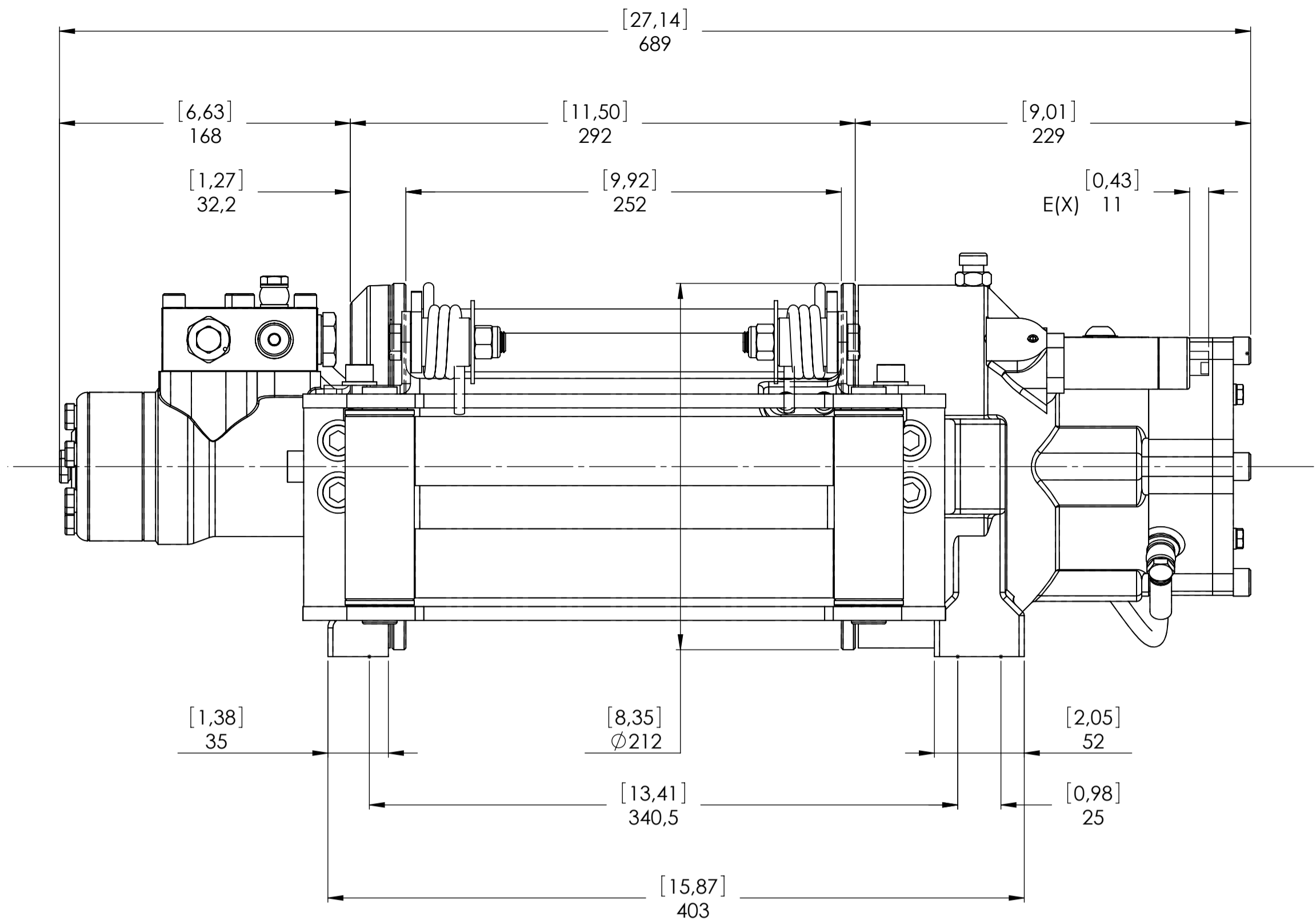


WINCH MODEL	EPH/LFN	WINCH GROUP	PLANETARY GEAR
Pulling capacity (Kgs.)	3600	Date	Modification
Max.Oil flow	60 Lt./Min.	DANGEROUS! Do not use winch to lift support or transport personnel.	
Speed Line - first layer	14,8 Mt./Min.		
Speed Line - top layer	25,4 Mt./Min.		
		Gear ratio	5,3 : 1
Funo - Bologna (Italy) www.vimeindustrial.com		Orbital hydr. motor	250 cc
The Quality is Transparent		Working pressure	160 Bar
		Drum size	252
		Drum clutch	Manual
		DATE 26/04/2010	

CONNECTIONS	
V1	1/2" G
V2	1/2" G
E (X) DISENGAGED	-----
E (Y) ENGAGED	-----
PLUGS	
1.Fill	1/4" G
2.Level	1/8" G
3.Drain	1/4" G
SCALE	
1: 2,5	
WEIGHTS	
Winch	47,8 Kgs.
Heavy-duty Roller fairlead	9,8 Kgs.
Rope tensioner	2 Kgs.
CODE	EPH/LFN36D250GPV



Machinery Directive 2006/42/CE
EN 14492-1



WINCH MODEL		EPH/LFN	WINCH GROUP	PLANETARY GEAR	PLUGS
Pulling capacity (Kgs.)		3600	Date	Modification	1.Fill 1/4"G
Max.Oil flow		60 Lt./Min.	DANGEROUS: Do not use winch to lift support or transport personnel.		2.Level 1/8"G
Speed Line - first layer		14,8 Mt./Min.			3.Drain 1/4"G
Speed Line - top layer		25,4 Mt./Min.			
 Funo - Bologna (Italy) www.vimeindustrial.com		Gear ratio	5,3 : 1		SCALE 1: 2,5
The Quality is Transparent		Orbital hydr. motor	250 cc		WEIGHTS
		Working pressure	160 Bar		Winch 47,8 Kgs.
		Drum size	252		Heavy-duty Roller fairlead 9,8 Kgs.
		Drum clutch	Air-operated		Rope tensioner 2 Kgs.
		<small>VIME Industrial reserves the right to improve its products through changes in designed or materials as it may seem desirable without notice.</small>			CODE EPHLFN36D250AGPV
		DATE 26/04/2010			

CONNECTIONS	
V1	1/2"G
V2	1/2"G
E (X) DISENGAGED	1/8" G
E (Y) ENGAGED	RETURN SPRING

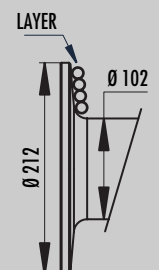
1.4.6 EPH/L 3600 FN WINCH TECHNICAL DATA

RATIO	WIRE ROPE SIZE [MM]	LAYER	LINE PULL [KG]
5,3:1	10*	1	3.600
		2	3.055
		3	2.653
		4	2.344
		5	2.100

OIL SUPPLY [LT/MIN]	DRUM REVOLUTION [RPM]	LINE SPEED [MT/MIN]				
		1	2	3	4	5
40	28,1	9,9	11,6	13,4	15,2	16,9
50	35,1	12,3	14,5	16,8	19,0	21,2
60	42,1	14,8	17,5	20,1	22,7	25,4

WIRE ROPE MINIMUM BREAKING LOAD EN 14492-1 [KG]	7.200
---	-------

DRUM EPH/L - 3600 FN = 252 MM



LAYER	DRUM DIAMETER		WIRE ROPE ON LAYER		WIRE ROPE QUANTITY	
			[MT]		[MT]	
	Ø MM		10 MM	00 MM	10 MM	00 MM
6	212	-	16,1	-	73,9	-
5	192	-	14,6	-	57,8	-
4	172	-	13,1	-	43,2	-
3	152	-	11,6	-	30,1	-
2	132	-	10,0	-	18,6	-
1	112	-	8,5	-	8,5	-
0	102	-	-	-	-	-

WIRE ROPE CAPACITY [MT]		MAX. WIRE ROPE CAPACITY EN 14492-1 [MT]		MAX. WIRE ROPE CAPACITY [MT]	
10 MM	00 MM	10 MM	00 MM	10 MM	00 MM
30	00	43**	00	73	00

DESCRIPTION	WEIGHTS
	KGS.
WINCH (WITHOUT CABLE)	47,8
ACCESSORY : ROLLERFAILREAD	9,8
ACCESSORY : CABLE TENSIONER	2,0

NOTES

Specifications are subject to change without notification and without incurring obligation. Specifications in this publication are theoretical and may vary depending on hydraulic system, environment, etc.

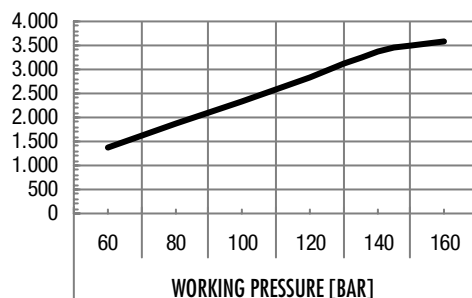
NOTES

*Wire rope size must be respected. Recommended wire rope min. tensile strength 2160 N/mm².
Wire rope minimum breaking load must be at least double of winch max. pulling capacity.

** Max. wire rope capacity according with EN 14492-1.

1.4.7 EPH/L 3600 FN WINCH PERFORMANCE CHARTS AT THE 1ST LAYER

LINE PULL-FIRST LAYER [KG]



LINE SPEED [M/MIN]

