

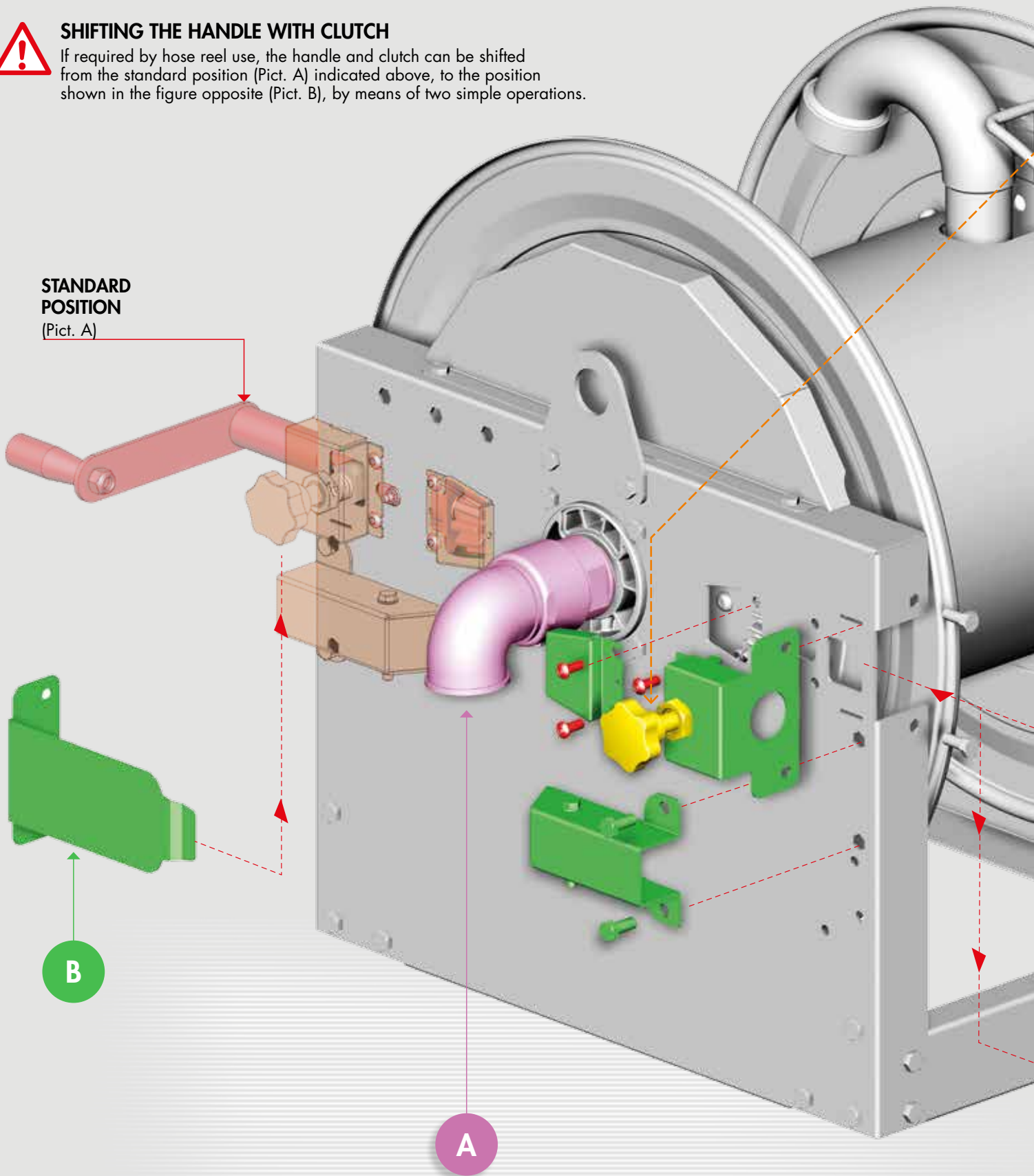
Series 700

Technical characteristics



SHIFTING THE HANDLE WITH CLUTCH

If required by hose reel use, the handle and clutch can be shifted from the standard position (Pict. A) indicated above, to the position shown in the figure opposite (Pict. B), by means of two simple operations.



STANDARD
POSITION
(Pict. A)

B

A

A

SWIVEL JOINT

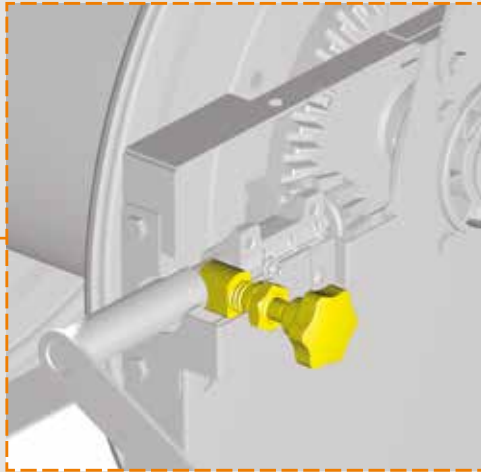
Designed with the ideal internal dimensions to guarantee the most possible flow. It is realized in galvanized steel or aluminium with seals in Viton®.

B

HOLE COVER

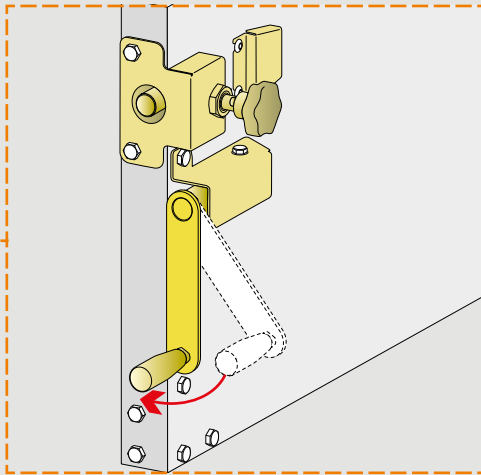
POSITION OF HANDLE WITH CLUTH

The clutch is indispensable for regulating the hose unwinding speed and preventing the drum from turning empty due to inertia. The hose reel comes with the winding handle and clutch in the standard position (Pict. A).



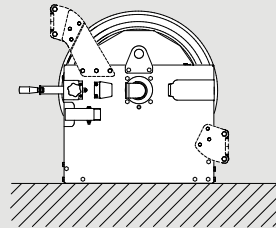
CLUTH IN POM

The clutch in POM, which acts on the handle (to be used only during unwinding), creates the necessary friction on the pinion, for regulating hose unwinding speed.



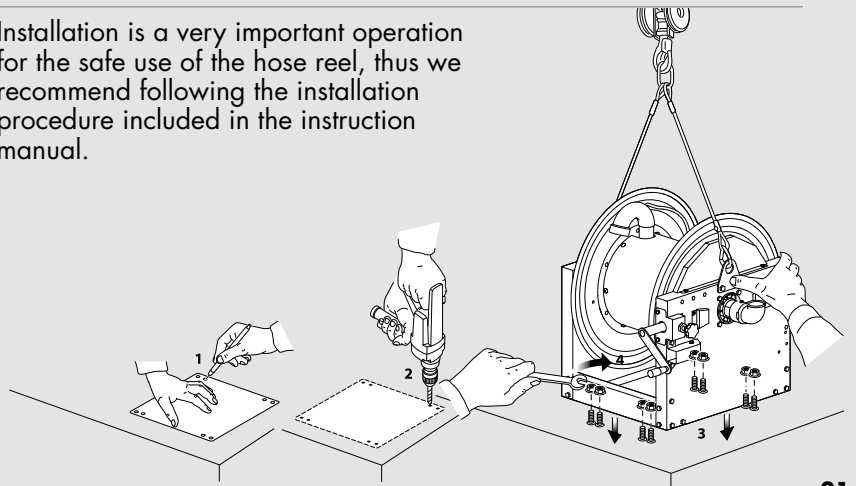
The practical handle, connected to the external rack allows easy winding of the hose at the same time controlling its positioning on the drum. There is also an easy allocation where the handle can be stored during the un-winding operation.

BENCH AND/OR FLOOR APPLICATION



NEW POSITION (Pict. B)

Installation is a very important operation for the safe use of the hose reel, thus we recommend following the installation procedure included in the instruction manual.



MANUAL

The manual hose reels **Series 700**, is able to combine the strength of a product suitable for winding hoses up to 2" with the easiness of winding them utilizing a handle.

PAINTED
STEEL

Convenience and capacity for hoses up to 2"

In accordance with directive Atex 94/9 II 3GD e TX



Note: All the hose reels in the table are without hose

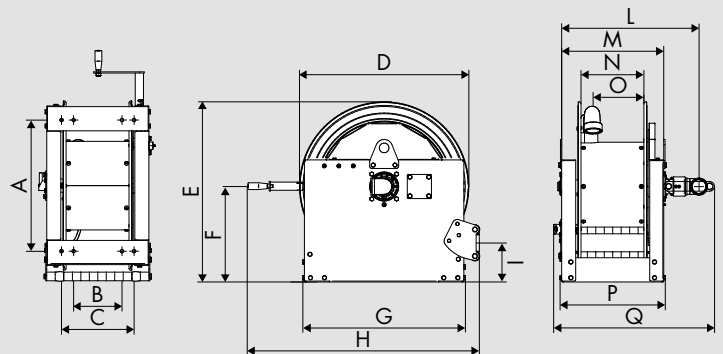
Fluid - Pressure	width 270 mm	width 410 mm	width 550 mm	width 690 mm	Connection	
					inlet	outlet
Air - Water Diesel fuel 20 bar - aluminium swivel joint - Viton® seals	721001/10	741001/10	751001/10	771001/10	F 2" G	F 2" G
Oil and similar 100 bar - galvanized steel swivel joint - Viton® seals	721001/40	741001/40	751001/40	771001/40	F 2" G	F 2" G

Note: for special fluids see the compatibility table at page 26

Hose reel capacity

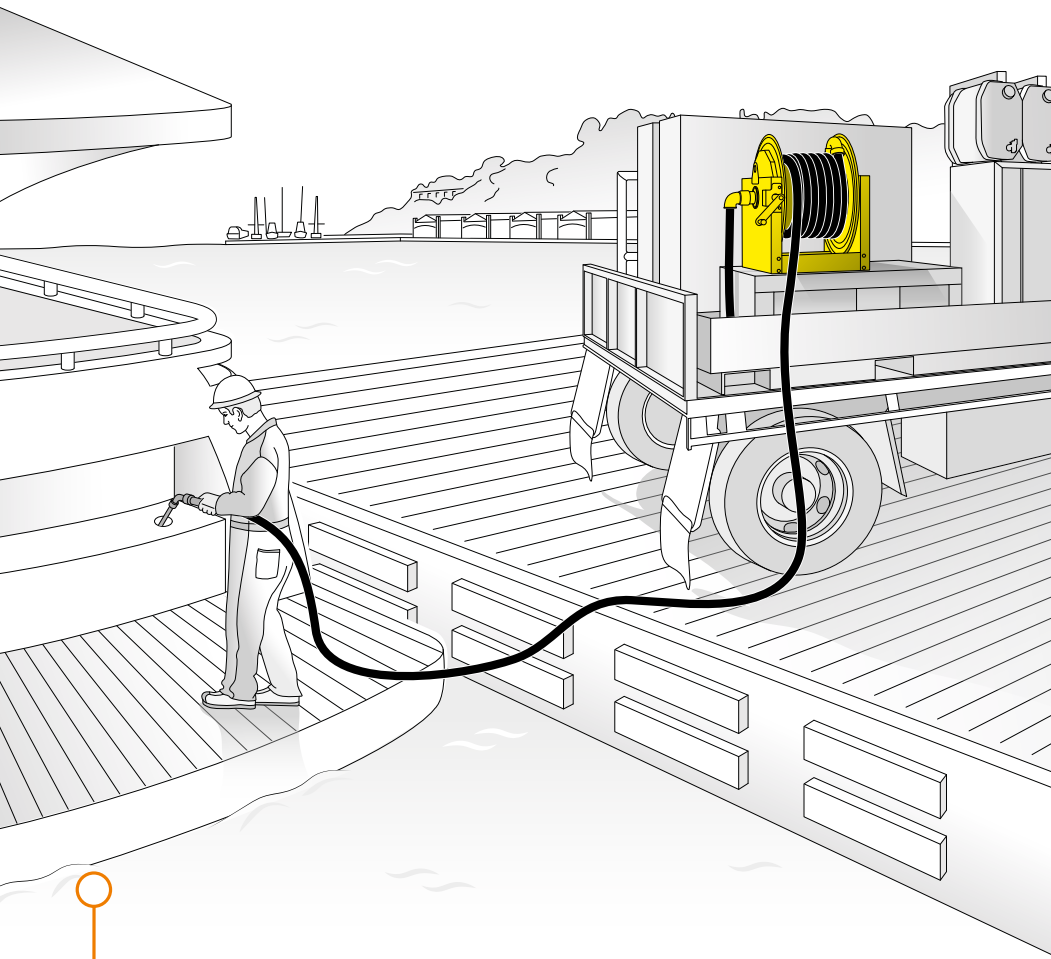
ø hose external	270 mm	410 mm	550 mm	690 mm
3/8"	17 mm	160 m	300 m	410 m
1/2"	20 mm	115 m	220 m	300 m
3/4"	27 mm	70 m	130 m	190 m
1"	34 mm	30 m	65 m	100 m
1.1/4"	42 mm	20 m	45 m	65 m
1.1/2"	50 mm	15 m	40 m	55 m
2"	63 mm	10 m	20 m	35 m

Overall dimensions (mm)

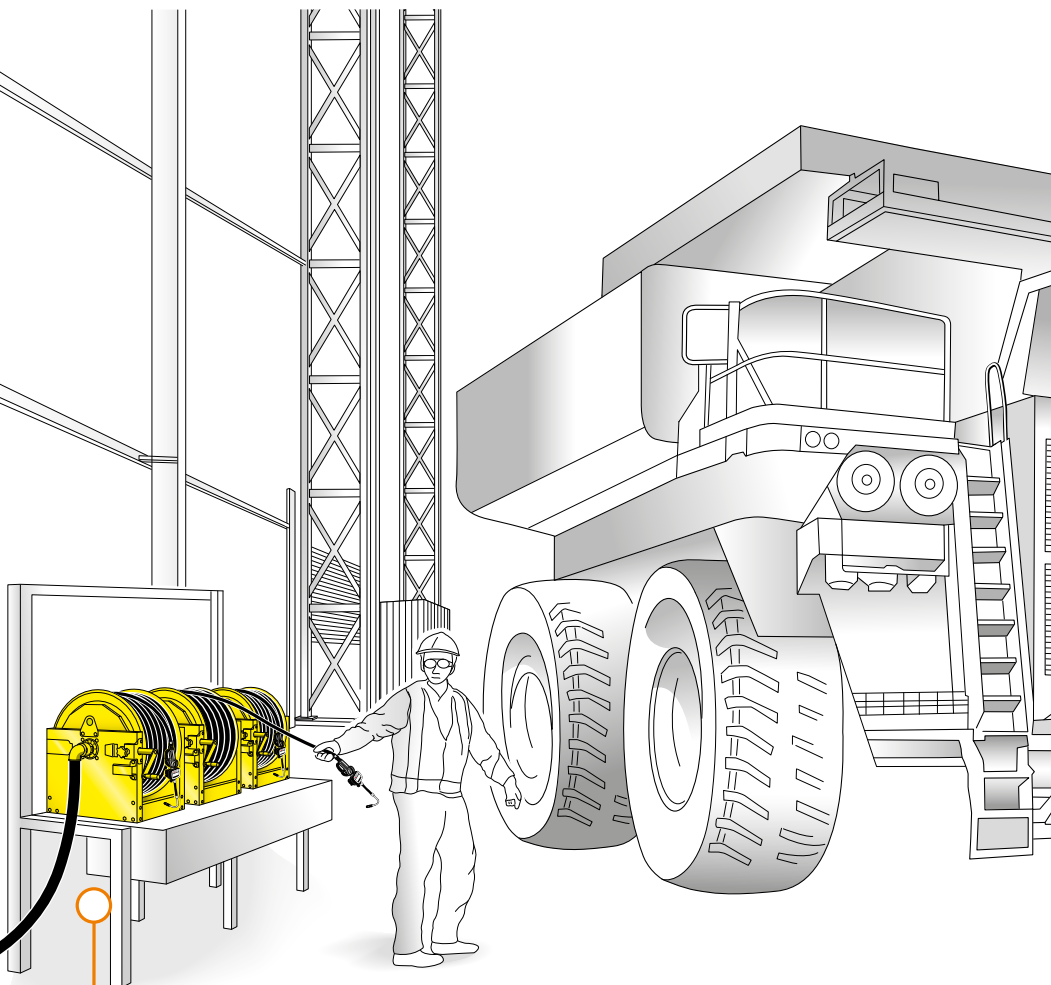


P/N	A	B	C	D	E	F	G	H	I	L	M	N	O	P	Q	1-m³	Kg
270 mm	542	200	300	700	760	410	672	920	160	570	422	260	210	435	640	0,53	85
410 mm	542	340	440	700	760	410	672	920	160	712	562	398	350	575	735	0,63	96
550 mm	542	480	580	700	760	410	672	920	160	850	705	538	490	717	875	0,73	103
690 mm	542	620	720	700	760	410	672	920	160	990	842	680	630	855	1060	0,82	119

Application fields



**BOATS
REFUELING**



**OIL
DISTRIBUTION**

The maximized capacity offered by the hose reels Series 700 manual makes them suitable for work applications that require expansive lengths like **boats refueling in ports or oil distribution in large construction sites.**

Furthermore, these hose reels can also be utilized in:

- heavy industry
- mine
- offshore platforms
- airports
- naval shipyards
- ...and many more

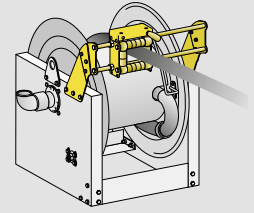
on request



Manual operation hose guide, high

P/N OE77/22775B	for width 270 mm
P/N OE77/24175B	for width 410 mm
P/N OE77/25575B	for width 550 mm
P/N OE77/26975B	for width 690 mm

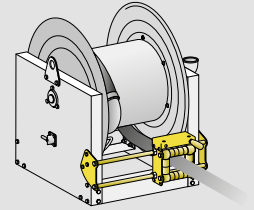
Using the special knob, the operator shifts the hose to the right or left to ensure its correct rewinding.



Manual operation hose guide, low

P/N OE77/22775	for width 270 mm
P/N OE77/24175	for width 410 mm
P/N OE77/25575	for width 550 mm
P/N OE77/26975	for width 690 mm

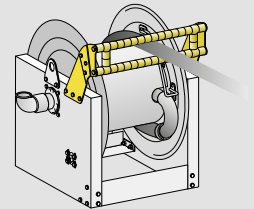
Using the special knob, the operator shifts the hose to the right or left to ensure its correct rewinding.



Hose guide standard closed, high

P/N OE77/12775B	for width 270 mm
P/N OE77/14175B	for width 410 mm
P/N OE77/15575B	for width 550 mm
P/N OE77/16975B	for width 690 mm

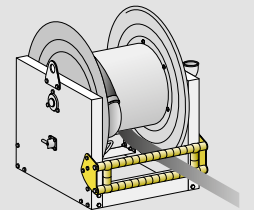
Hose guide with rollers that ensure easy sliding of the hose during unwinding and rewinding.



Hose guide standard closed, low

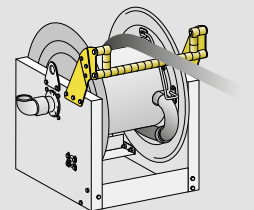
P/N OE77/12775	for width 270 mm
P/N OE77/14175	for width 410 mm
P/N OE77/15575	for width 550 mm
P/N OE77/16975	for width 690 mm

Hose guide with rollers that ensure easy sliding of the hose during unwinding and rewinding.



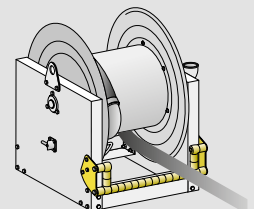
Hose guide standard open, high

P/N OE77/32775B	for width 270 mm
P/N OE77/34175B	for width 410 mm
P/N OE77/35575B	for width 550 mm
P/N OE77/36975B	for width 690 mm



Hose guide standard open, low

P/N OE77/32775	for width 270 mm
P/N OE77/34175	for width 410 mm
P/N OE77/35575	for width 550 mm
P/N OE77/36975	for width 690 mm



Hose guide, standard open high or low.

This type of hose guide enables fitting of both versions (high and low) on the same hose reel, allowing hose unwinding in two opposite directions.

