



WARRANTY
5
YEARS

CE Made in Italy

DIAPHRAGM
PUMPS
No. E21-PM



HELP THE NATURE

Packaging contains, depending on the articles, one or more of the following materials; they must be recycled in accordance with current regulations in the country of use.

cardboard • polyethylene sack • polystyrene • paper • wood • nails
• plastic strap • cellophane • clips • gummed paper



ECODORA S.r.l. offers a wide range of equipment for fluid dynamics, designed to meet all customer's needs.

Quality, reliability and design that distinguish ECODORA brand are internationally recognized.

A technical service before and after sales suggests the most suitable product according to the customer's needs and provides support even to the end users.

ECODORA S.r.l. looks for a long lasting cooperation with the customers, paying attention to their expectations and offering highest quality products.



www.ecodora.com
info@ecodora.com

CE Made in Italy

INDEX

DIAPHRAGM PUMPS

Page 8

Aluminum diaphragm pumps



Page 14

Aluminum diaphragm pumps with treatment in cathaphoresis



Page 22

Stainless steel and aluminum diaphragm pumps



Page 26

Stainless steel and polypropylene diaphragm pumps



ECODORA pneumatic double-diaphragm pumps are designed and manufactured for pumping a wide range of fluids even with high viscosities and with suspended solids.

Being ATEX certified, they can also be used for heavy applications such as in places with high humidity or with potentially explosive atmosphere.

- Self-priming capability
- Easy adjustment of delivery
- Resistance even in case of prolonged no-load operation

are some of the features that make these pumps particularly versatile and appreciated in all work environments.

The wide range of materials used for the pumps makes easy to identify the model that has the best chemical compatibility with the fluid to be pumped and for the work environment.



Page 30

Polypropylene
and aluminum
diaphragm pumps



Page 34

Polypropylene
diaphragm pumps



Page 36

Accessories



Our sales department is at your disposal to
provide information and solutions.

www.ecodora.com

DIAPHRAGM PUMPS IN ALUMINUM



ECODORA diaphragm pumps in die-cast aluminum are manufactured in several sizes and with high quality materials, allowing the pumping of a variety of fluids.

In addition, this type of pump is certified for use in potentially explosive environments according to ATEX directive, making it ideal for use in environments with severe conditions.

Our technical department is always at your disposal to help you choosing the materials of membranes, balls and seats compatible with the fluid to be pumped.

Technical characteristics

MEMBRANES

Made of different and specific materials, able to withstand many types of fluids and millions of cycles.

AIR DISTRIBUTOR UNIT

Equipped with anti-stall reversing piston that prevents the pump from stopping at a dead point, even in critical operating conditions.

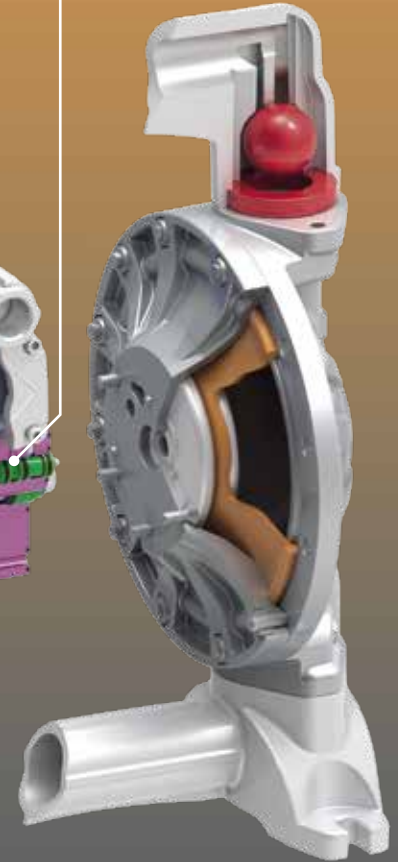
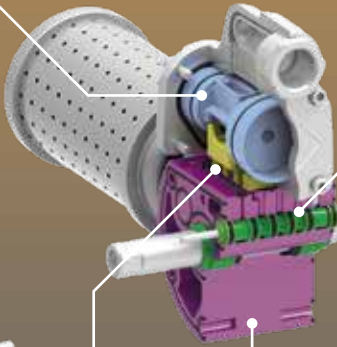
PNEUMATIC MOTOR BLOCK OF THE PUMP

Does not require any type of lubrication because the moving parts are self-lubricating.



FLANGES
Created to withstand heavy work conditions.

BALL VALVES
Designed to guarantee the total flow of the pumped fluid.



PNEUMATIC MOTOR
With anti-ice device.
This allows the pump to maintain its performance, even if powered with untreated air.

AIR DISTRIBUTION VALVE
Ensures perfect operations in any working conditions.

- Some examples:
- minimum supply pressures (min. 2 bar);
 - critical fluid and environmental temperatures;
 - supply pressure fluctuations.

TOTAL FLOW SUCTION AND DELIVERY MANIFOLDS

They facilitate suction of the liquid in any situation, with threaded or flanged connections available in different diameters, according to the pump models.

Diaphragm pumps R. 1:1 for transferring, made of die-cast aluminum; they ensure lasting and reliable operation with the most common automotive and industry fluids.

In accordance with directive



Note: The max flow rate shown in the below graphics has been obtained by laboratory test.

1/2" (f)



3/4" (f)

1" (f)



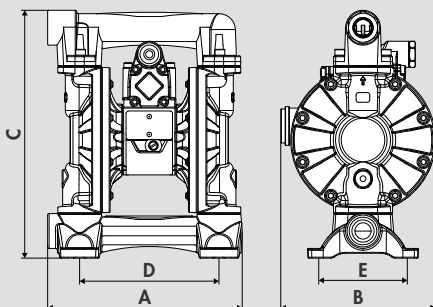
1.1/4" (f)

MODEL			AAB-12	AAB-1
Membranes	Balls	Seats	P/N	P/N
EPDM	Acetal	Acetal	OE3C1/16111EAA	OE3C1/26111EAA
Hytrel®	Hytrel®	Hytrel®	OE3C1/16111HHH	OE3C1/26111HHH
NBR	Hytrel®	Hytrel®	OE3C1/16111NHH	OE3C1/26111NHH
Santoprene™	Santoprene™	Santoprene™	OE3C1/16111SSS	OE3C1/26111SSS
PTFE+Hytrel® *	PTFE	Polypropylene	OE3C1/16111TTP	OE3C1/26111TTP
Max pressure			8 bar	8 bar
Max cycles per min			400 cpm	300 cpm
Litres per cycle **			0,188 l	0,590 l
Max suction lift			dry column 4,5 m - wet column 7,5 m	dry column 5 m - wet column 7,5 m
Max size pumpable solids			1,5 mm	3 mm
Max working temperature ***			100 °C	100 °C
Noise level			75 dB	75 dB
Max air consumption			0,80 m ³ /min	1,40 m ³ /min
Air working pressure			2 - 6 bar	2 - 6 bar
Air inlet connection			G 3/8" (f)	G 3/8" (f)
Air outlet connection (muffler)			G 1/2" (f)	G 1/2" (f)
Fluid inlet connection			G 3/4" (f)	G 1.1/4" (f)
Fluid outlet connection			G 1/2" (f)	G 1" (f)
Balls for inlet and outlet				
Overall dimensions (A - B - C - D - E)			201 - 160 - 256 - 145 - 100 mm	261 - 200 - 345 - 182 - 130 mm
Screws for pump fixing			M8	M10
Packing			No. 1 - 0,02 m ³	No. 1 - 0,03 m ³
Weight			6,3 kg	12 kg

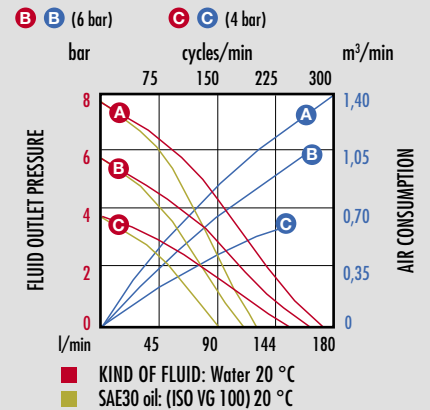
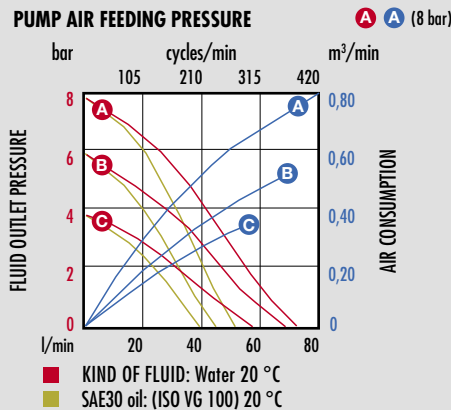
* With PTFE membrane flow rate is 10 % lower.

** Displacement per cycle may be influenced by suction lift, fluid viscosity, air pressure, number of cycles per minute.

*** The materials in contact with the fluid, and the fluid as well, can restrict the pump working temperature.



PUMP AIR FEEDING PRESSURE

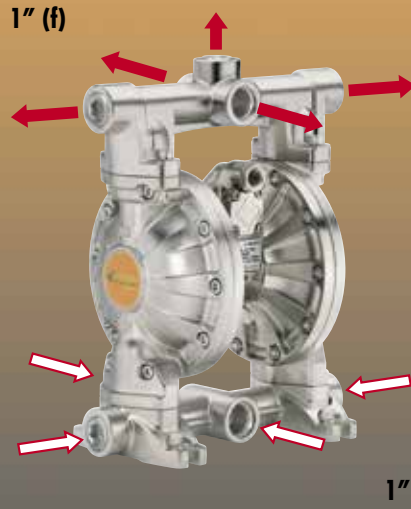


Diaphragm pumps R. 1:1 for transferring, made of die-cast aluminum; they ensure lasting and reliable operation with the most common automotive and industry fluids.

In accordance with directive



Note: The max flow rate shown in the below graphics has been obtained by laboratory test.



1.1/4" (f)

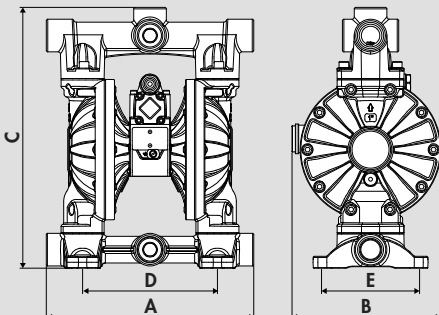


MODEL			AAB-1-9 with multi-ported inlet/outlet	AAB-114
Membranes	Balls	Seats	P/N	P/N
EPDM	Acetal	Acetal	OE3C3/26111EAA	OE3C1/30111EAA
Hytrel®	Hytrel®	Hytrel®	OE3C3/26111HHH	OE3C1/30111HHH
NBR	Hytrel®	Hytrel®	OE3C3/26111NHH	OE3C1/30111NHH
Santoprene™	Santoprene™	Santoprene™	OE3C3/26111SSS	OE3C1/30111SSS
PTFE+Hytrel® *	PTFE	Polypropylene	OE3C3/26111TTP	OE3C1/30111TTP
Max pressure			8 bar	8 bar
Max cycles per min			300 cpm	260 cpm
Litres per cycle **			0,590 l	0,800 l
Max suction lift			dry column 5 m - wet column 7,5 m	dry column 5 m - wet column 7,5 m
Max size pumpable solids			3 mm	3 mm
Max working temperature ***			100 °C	100 °C
Noise level			75 dB	75 dB
Max air consumption			1,40 m ³ /min	1,80 m ³ /min
Air working pressure			2 - 6 bar	2 - 6 bar
Air inlet connection			G 3/8" (f)	G 3/4" (f)
Air outlet connection (muffler)			G 1/2" (f)	G 1" (f)
Fluid inlet connection			4 x G 1" (f)	G 1.1/4" (f)
Fluid outlet connection			5 x G 1" (f)	G 1.1/4" (f)
Balls for inlet and outlet				
Overall dimensions (A - B - C - D - E)			280 - 200 - 352 - 182 - 130 mm	286 - 238 - 386 - 199 - 137 mm
Screws for pump fixing			M10	M10
Packing			No. 1 - 0,03 m ³	No. 1 - 0,03 m ³
Weight			13 kg	15 kg

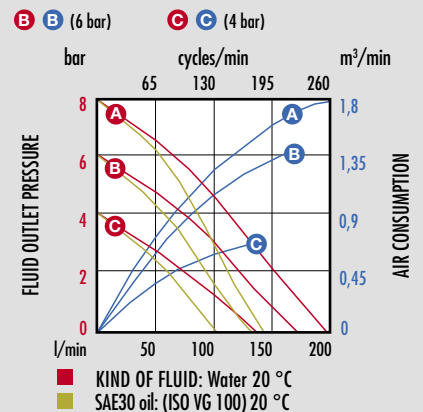
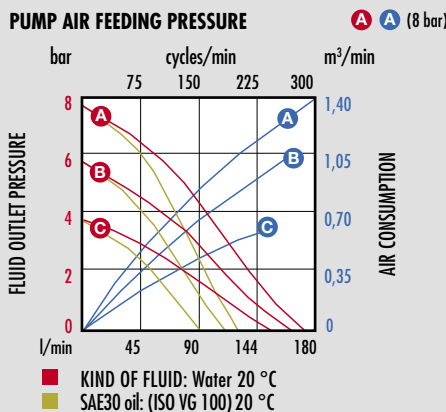
* With PTFE membrane flow rate is 10 % lower.

** Displacement per cycle may be influenced by suction lift, fluid viscosity, air pressure, number of cycles per minute.

*** The materials in contact with the fluid, and the fluid as well, can restrict the pump working temperature.



PUMP AIR FEEDING PRESSURE



Diaphragm pumps R. 1:1 for transferring, made of die-cast aluminum; they ensure lasting and reliable operation with the most common automotive and industry fluids.

In accordance with directive



Note: The max flow rate shown in the below graphics has been obtained by laboratory test.

1.1/2" (f)



2" (f)

2" (f)



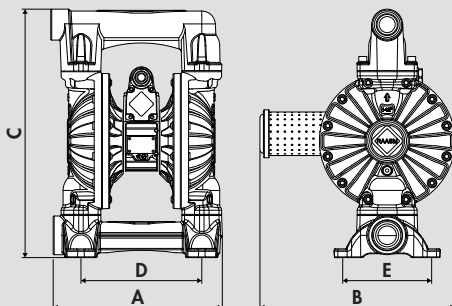
2.1/2" (f)

MODEL			AAB-112	AAB-2
Membranes	Balls	Seats	P/N	P/N
EPDM	Acetal	Acetal	OE3C1/40111EAA	OE3C1/50111EAA
Hytrel®	Hytrel®	Hytrel®	OE3C1/40111HHH	OE3C1/50111HHH
NBR	Hytrel®	Hytrel®	OE3C1/40111NHH	OE3C1/50111NHH
Santoprene™	Santoprene™	Santoprene™	OE3C1/40111SSS	OE3C1/50111SSS
PTFE+Hytrel® *	PTFE	Polypropylene	OE3C1/40111TTP	OE3C1/50111TTP
Max pressure			8 bar	8 bar
Max cycles per min			220 cpm	147 cpm
Litres per cycle **			2,150 l	4,150 l
Max suction lift			dry column 5 m - wet column 7,5 m	dry column 5 m - wet column 7,5 m
Max size pumpable solids			5,5 mm	6,5 mm
Max working temperature ***			100 °C	100 °C
Noise level			78 dB	82 dB
Max air consumption			3,40 m ³ /min	4,00 m ³ /min
Air working pressure			2 - 6 bar	2 - 6 bar
Air inlet connection			G 3/4" (f)	G 3/4" (f)
Air outlet connection (muffler)			G 1" (f)	G 1" (f)
Fluid inlet connection			G 2" (f)	G 2.1/2" (f)
Fluid outlet connection			G 1.1/2" (f)	G 2" (f)
Balls for inlet and outlet				
Overall dimensions (A - B - C - D - E)			350 - 402 - 514 - 250 - 182 mm	427 - 435 - 616 - 305 - 227 mm
Screws for pump fixing			M12	M12
Packing			No. 1 - 0,07 m ³	No. 1 - 0,12 m ³
Weight			21,5 kg	43 kg

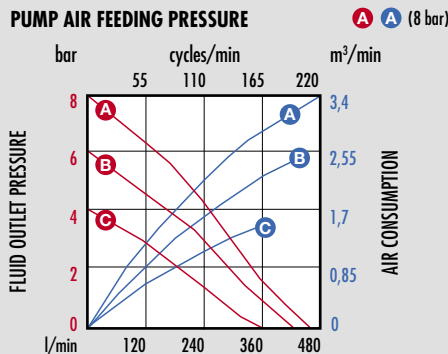
* With PTFE membrane flow rate is 10 % lower.

** Displacement per cycle may be influenced by suction lift, fluid viscosity, air pressure, number of cycles per minute.

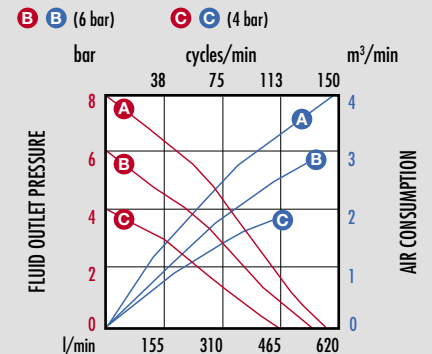
*** The materials in contact with the fluid, and the fluid as well, can restrict the pump working temperature.



PUMP AIR FEEDING PRESSURE



■ KIND OF FLUID: Water 20 °C



■ KIND OF FLUID: Water 20 °C

2" - Flow rate 610 l/min

2" - Flow rate 580 l/min

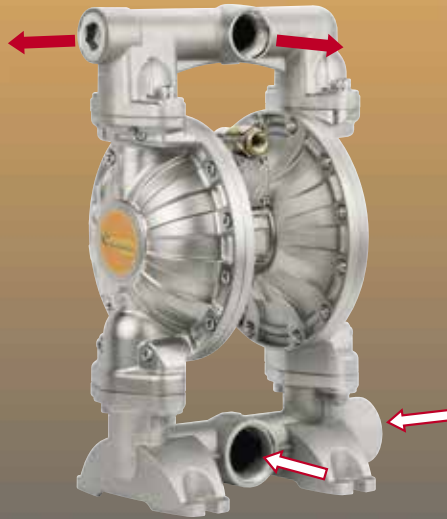
Diaphragm pumps R. 1:1 for transferring, made of die-cast aluminum; they ensure lasting and reliable operation with the most common automotive and industry fluids. Flanges could be rotated of 90° or 180° to help the fluid inlet and outlet and the plant connection.

In accordance with directive



Note: The max flow rate shown in the below graphics has been obtained by laboratory test.

2" (f)



2.1/2" (f)

with flange 2"



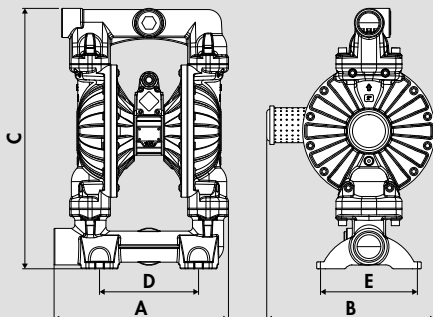
with flange 2"

MODEL			AAB-2 with multi-ported inlet/outlet	AABM-2 modular
Membranes	Balls	Seats	P/N	P/N
EPDM	Acetal	Acetal	OE3C3/50111EAA	OE3C6/50111EAA
Hytrel®	Hytrel®	Hytrel®	OE3C3/50111HHH	OE3C6/50111HHH
NBR	Hytrel®	Hytrel®	OE3C3/50111NHH	OE3C6/50111NHH
Santoprene™	Santoprene™	Santoprene™	OE3C3/50111SSS	OE3C6/50111SSS
PTFE+Hytrel® *	PTFE	Polypropylene	OE3C3/50111TTP	OE3C6/50111TTP
Max pressure			8 bar	8 bar
Max cycles per min			147 cpm	147 cpm
Litres per cycle **			4,150 l	3,950 l
Max suction lift			dry column 5 m - wet column 7,5 m	dry column 5 m - wet column 7,5 m
Max size pumpable solids			6,5 mm	6,5 mm
Max working temperature ***			100 °C	100 °C
Noise level			82 dB	82 dB
Max air consumption			4,00 m³/min	4,00 m³/min
Air working pressure			2 - 6 bar	2 - 6 bar
Air inlet connection			G 3/4" (f)	G 3/4" (f)
Air outlet connection (muffler)			G 1" (f)	G 1" (f)
Fluid inlet connection			G 2.1/2" (f)	ANSI 150 - DIN PN 10 - JIS 10K 2" (50 mm)
Fluid outlet connection			G 2" (f)	ANSI 150 - DIN PN 10 - JIS 10K 2" (50 mm)
Balls for inlet and outlet				
Overall dimensions (A - B - C - D - E)			449 - 435 - 675 - 255 - 227 mm	410 - 435 - 710 - 305 - 238 mm
Screws for pump fixing			M12	M12
Packing			No. 1 - 0,12 m³	No. 1 - 0,13 m³
Weight			45 kg	50 kg

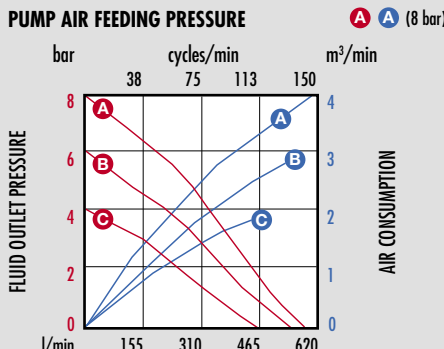
* With PTFE membrane flow rate is 10 % lower.

** Displacement per cycle may be influenced by suction lift, fluid viscosity, air pressure, number of cycles per minute.

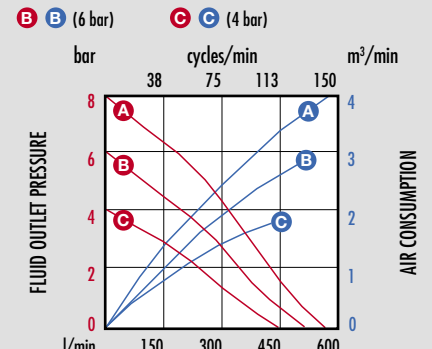
*** The materials in contact with the fluid, and the fluid as well, can restrict the pump working temperature.



PUMP AIR FEEDING PRESSURE



■ KIND OF FLUID: Water 20 °C



■ KIND OF FLUID: Water 20 °C

DIAPHRAGM PUMPS IN ALUMINUM WITH TREATMENT IN CATAPHORESIS



ECODORA diaphragm pumps with cataphoresis treatment are the ideal solution for use in particularly aggressive working environments thanks to the coating of a protective layer that ensures high resistance to chemical and environmental corrosion processes.

POWERCRON® 6000 HE cataphoresis treatment ensures better coating of the paint film over the entire surface of the pump, with significant benefits in terms of durability.

In addition, they can be used in applications with potentially explosive atmospheres thanks to their compliance with the ATEX directive.

Our technical department is always at your disposal to help you choosing the materials of membranes, balls and seats compatible with the fluid to be pumped.

Technical characteristics

MEMBRANES

Made of different and specific materials, able to withstand many types of fluids and millions of cycles.

AIR DISTRIBUTOR UNIT

Equipped with anti-stall reversing piston that prevents the pump from stopping at a dead point, even in critical operating conditions.

PNEUMATIC MOTOR BLOCK OF THE PUMP

Does not require any type of lubrication because the moving parts are self-lubricating.



FLANGES

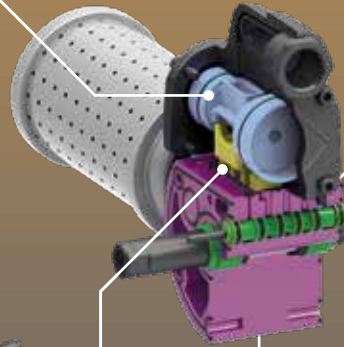
Created to withstand heavy work conditions.

BALL VALVES

Designed to guarantee the total flow of the pumped fluid.

TOTAL FLOW SUCTION AND DELIVERY MANIFOLDS

They facilitate suction of the liquid in any situation, with threaded or flanged connections available in different diameters, according to the pump models.



PNEUMATIC MOTOR

With anti-ice device. This allows the pump to maintain its performance, even if powered with untreated air.

AIR DISTRIBUTION VALVE

Ensures perfect operations in any working conditions.

Some examples:

- minimum supply pressures (min. 2 bar);
- critical fluid and environmental temperatures;
- supply pressure fluctuations.



Diaphragm pumps R. 1:1 for transferring, made of die-cast aluminum, with black cathaphoresis treatment that guarantees resistance up to 500 hours in saline fog.

In accordance with directive



Note: The max flow rate shown in the below graphics has been obtained by laboratory test.

1/2" (f)



3/4" (f)

1" (f)



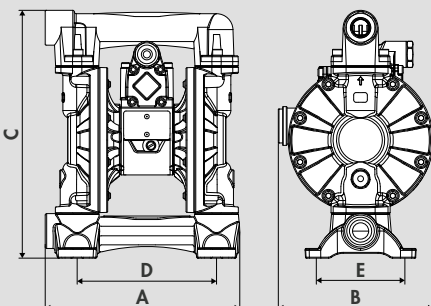
1.1/4" (f)

MODEL			AAB-12	AAB-1
Membranes	Balls	Seats	P/N	P/N
EPDM	Acetal	Acetal	0E3C1/1666VEAA	0E3C1/2666VEAA
Hytrel®	Hytrel®	Hytrel®	0E3C1/1666VHHH	0E3C1/2666VHHH
NBR	Hytrel®	Hytrel®	0E3C1/1666VNHH	0E3C1/2666VNHH
Santoprene™	Santoprene™	Santoprene™	0E3C1/1666VSSS	0E3C1/2666VSSS
PTFE+Hytrel® *	PTFE	Polypropylene	0E3C1/1666VTTP	0E3C1/2666VTTP
Max pressure			8 bar	8 bar
Max cycles per min			400 cpm	300 cpm
Litres per cycle **			0,188 l	0,590 l
Max suction lift			dry column 4,5 m - wet column 7,5 m	dry column 5 m - wet column 7,5 m
Max size pumpable solids			1,5 mm	3 mm
Max working temperature ***			100 °C	100 °C
Noise level			75 dB	75 dB
Max air consumption			0,80 m ³ /min	1,40 m ³ /min
Air working pressure			2 - 6 bar	2 - 6 bar
Air inlet connection			G 3/8" (f)	G 3/8" (f)
Air outlet connection (muffler)			G 1/2" (f)	G 1/2" (f)
Fluid inlet connection			G 3/4" (f)	G 1.1/4" (f)
Fluid outlet connection			G 1/2" (f)	G 1" (f)
Balls for inlet and outlet				
Overall dimensions (A - B - C - D - E)			201 - 160 - 256 - 145 - 100 mm	261 - 200 - 345 - 182 - 130 mm
Screws for pump fixing			M8	M10
Packing			No. 1 - 0,02 m ³	No. 1 - 0,03 m ³
Weight			6,3 kg	12 kg

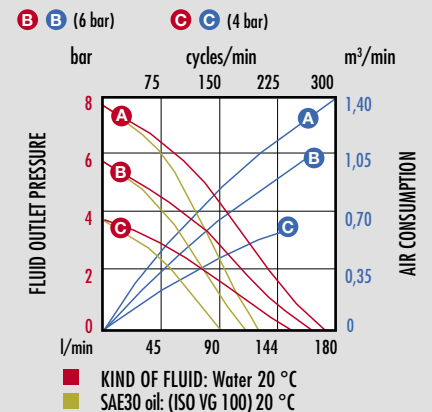
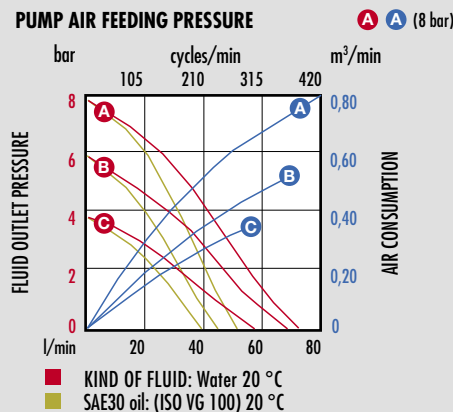
* With PTFE membrane flow rate is 10 % lower.

** Displacement per cycle may be influenced by suction lift, fluid viscosity, air pressure, number of cycles per minute.

*** The materials in contact with the fluid, and the fluid as well, can restrict the pump working temperature.



PUMP AIR FEEDING PRESSURE



Diaphragm pumps R. 1:1 for transferring, made of die-cast aluminum, with black cathaphoresis treatment that guarantees resistance up to 500 hours in saline fog.

In accordance with directive



Note: The max flow rate shown in the below graphics has been obtained by laboratory test.



1.1/4" (f)



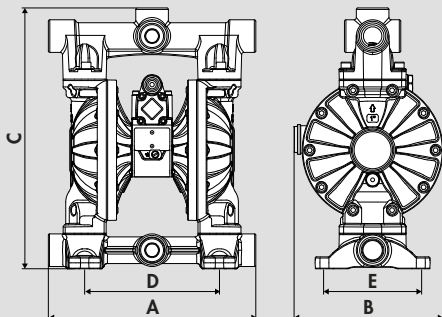
1.1/4" (f)

MODEL			AAB-1-9 with multi-ported inlet/outlet	AAB-114
Membranes	Balls	Seats	P/N	P/N
EPDM	Acetal	Acetal	0E3C3/2666VEAA	0E3C1/3066VEAA
Hytrel®	Hytrel®	Hytrel®	0E3C3/2666VHHH	0E3C1/3066VHHH
NBR	Hytrel®	Hytrel®	0E3C3/2666VNHH	0E3C1/3066VNHH
Santoprene™	Santoprene™	Santoprene™	0E3C3/2666VSSS	0E3C1/3066VSSS
PTFE+Hytrel® *	PTFE	Polypropylene	0E3C3/2666VTTP	0E3C1/3066VTTP
Max pressure			8 bar	8 bar
Max cycles per min			300 cpm	260 cpm
Litres per cycle **			0,590 l	0,800 l
Max suction lift			dry column 5 m - wet column 7,5 m	dry column 5 m - wet column 7,5 m
Max size pumpable solids			3 mm	3 mm
Max working temperature ***			100 °C	100 °C
Noise level			75 dB	75 dB
Max air consumption			1,40 m ³ /min	1,80 m ³ /min
Air working pressure			2 - 6 bar	2 - 6 bar
Air inlet connection			G 3/8" (f)	G 3/4" (f)
Air outlet connection (muffler)			G 1/2" (f)	G 1" (f)
Fluid inlet connection			4 x G 1" (f)	G 1.1/4" (f)
Fluid outlet connection			5 x G 1" (f)	G 1.1/4" (f)
Balls for inlet and outlet				
Overall dimensions (A - B - C - D - E)			280 - 200 - 352 - 182 - 130 mm	286 - 238 - 386 - 199 - 137 mm
Screws for pump fixing			M10	M10
Packing			No. 1 - 0,03 m ³	No. 1 - 0,03 m ³
Weight			13 kg	15 kg

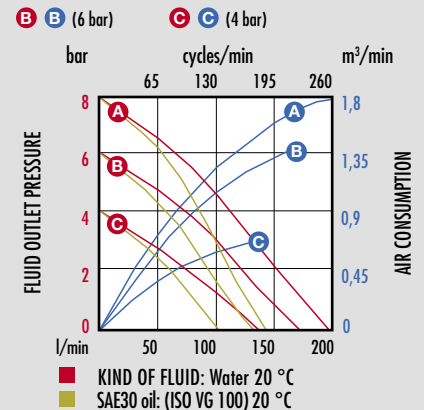
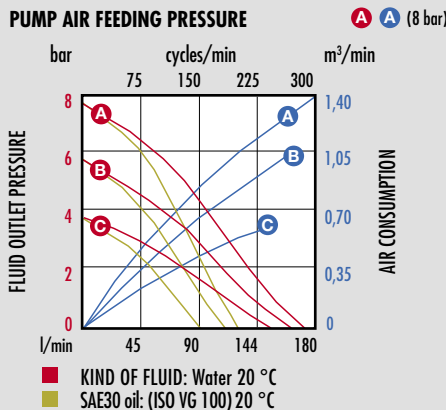
* With PTFE membrane flow rate is 10 % lower.

** Displacement per cycle may be influenced by suction lift, fluid viscosity, air pressure, number of cycles per minute.

*** The materials in contact with the fluid, and the fluid as well, can restrict the pump working temperature.



PUMP AIR FEEDING PRESSURE



Diaphragm pumps R. 1:1 for transferring, made of die-cast aluminum, with black cathaphoresis treatment that guarantees resistance up to 500 hours in saline fog.

In accordance with directive



Note: The max flow rate shown in the below graphics has been obtained by laboratory test.

1.1/2" (f)



2" (f)

2" (f)



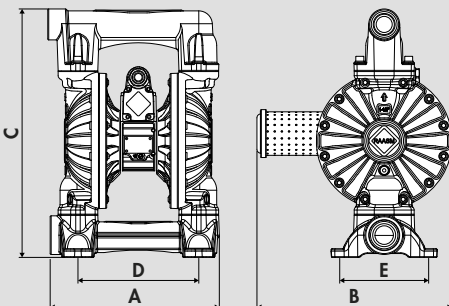
2.1/2" (f)

MODEL			AAB-112	AAB-2
Membranes	Balls	Seats	P/N	P/N
EPDM	Acetal	Acetal	OE3C1/4066VEAA	OE3C1/5066VEAA
Hytrel®	Hytrel®	Hytrel®	OE3C1/4066VHHH	OE3C1/5066VHHH
NBR	Hytrel®	Hytrel®	OE3C1/4066VNHH	OE3C1/5066VNHH
Santoprene™	Santoprene™	Santoprene™	OE3C1/4066VSSS	OE3C1/5066VSSS
PTFE+Hytrel® *	PTFE	Polypropylene	OE3C1/4066VTTP	OE3C1/5066VTTP
Max pressure			8 bar	8 bar
Max cycles per min			220 cpm	147 cpm
Litres per cycle **			2,150 l	4,150 l
Max suction lift			dry column 5 m - wet column 7,5 m	dry column 5 m - wet column 7,5 m
Max size pumpable solids			5,5 mm	6,5 mm
Max working temperature ***			100 °C	100 °C
Noise level			78 dB	82 dB
Max air consumption			3,40 m ³ /min	4,00 m ³ /min
Air working pressure			2 - 6 bar	2 - 6 bar
Air inlet connection			G 3/4" (f)	G 3/4" (f)
Air outlet connection (muffler)			G 1" (f)	G 1" (f)
Fluid inlet connection			G 2" (f)	G 2.1/2" (f)
Fluid outlet connection			G 1.1/2" (f)	G 2" (f)
Balls for inlet and outlet				
Overall dimensions (A - B - C - D - E)			350 - 402 - 514 - 250 - 182 mm	427 - 435 - 616 - 305 - 227 mm
Screws for pump fixing			M12	M12
Packing			No. 1 - 0,07 m ³	No. 1 - 0,12 m ³
Weight			21,5 kg	43 kg

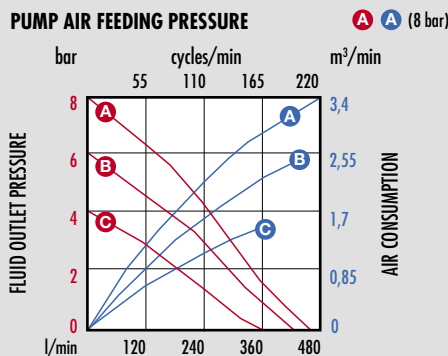
* With PTFE membrane flow rate is 10 % lower.

** Displacement per cycle may be influenced by suction lift, fluid viscosity, air pressure, number of cycles per minute.

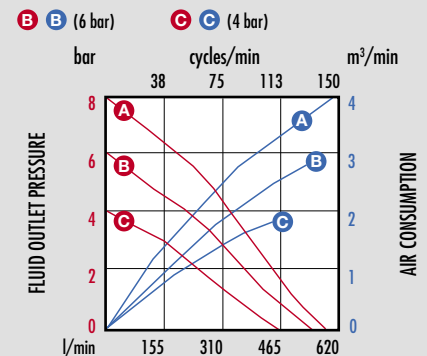
*** The materials in contact with the fluid, and the fluid as well, can restrict the pump working temperature.



PUMP AIR FEEDING PRESSURE



■ KIND OF FLUID: Water 20 °C



■ KIND OF FLUID: Water 20 °C

2" - Flow rate 610 l/min

2" - Flow rate 580 l/min

Diaphragm pumps R. 1:1 for transferring, made of die-cast aluminum, with black cathaphoresis treatment that guarantees resistance up to 500 hours in saline fog.

In accordance with directive



Note: The max flow rate shown in the below graphics has been obtained by laboratory test.

2" (f)



2.1/2" (f)

with flange 2"



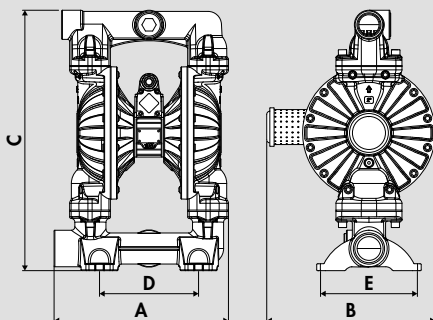
with flange 2"

MODEL			AAB-2 with multi-ported inlet/outlet	AABM-2 modular
Membranes	Balls	Seats	P/N	P/N
EPDM	Acetal	Acetal	0E3C3/5066VEAA	0E3C6/5066VEAA
Hytrel®	Hytrel®	Hytrel®	0E3C3/5066VHHH	0E3C6/5066VHHH
NBR	Hytrel®	Hytrel®	0E3C3/5066VNHH	0E3C6/5066VNHH
Santoprene™	Santoprene™	Santoprene™	0E3C3/5066VSSS	0E3C6/5066VSSS
PTFE+Hytrel® *	PTFE	Polypropylene	0E3C3/5066VTTP	0E3C6/5066VTTP
Max pressure			8 bar	8 bar
Max cycles per min			147 cpm	147 cpm
Litres per cycle **			4,150 l	3,950 l
Max suction lift			dry column 5 m - wet column 7,5 m	dry column 5 m - wet column 7,5 m
Max size pumpable solids			6,5 mm	6,5 mm
Max working temperature ***			100 °C	100 °C
Noise level			82 dB	82 dB
Max air consumption			4,00 m ³ /min	4,00 m ³ /min
Air working pressure			2 - 6 bar	2 - 6 bar
Air inlet connection			G 3/4" (f)	G 3/4" (f)
Air outlet connection (muffler)			G 1" (f)	G 1" (f)
Fluid inlet connection			G 2.1/2" (f)	ANSI 150 - DIN PN 10 - JIS 10K 2" (50 mm)
Fluid outlet connection			G 2" (f)	ANSI 150 - DIN PN 10 - JIS 10K 2" (50 mm)
Balls for inlet and outlet				
Overall dimensions (A - B - C - D - E)			449 - 435 - 675 - 255 - 227 mm	410 - 435 - 710 - 305 - 238 mm
Screws for pump fixing			M12	M12
Packing			No. 1 - 0,12 m ³	No. 1 - 0,13 m ³
Weight			45 kg	50 kg

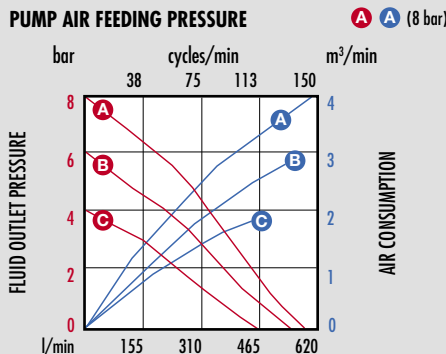
* With PTFE membrane flow rate is 10 % lower.

** Displacement per cycle may be influenced by suction lift, fluid viscosity, air pressure, number of cycles per minute.

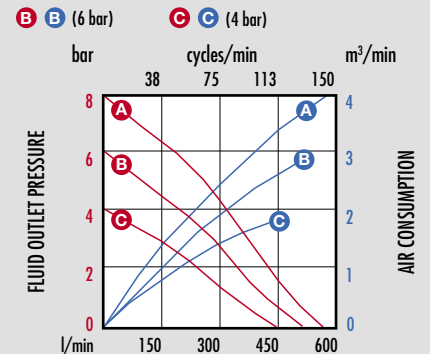
*** The materials in contact with the fluid, and the fluid as well, can restrict the pump working temperature.



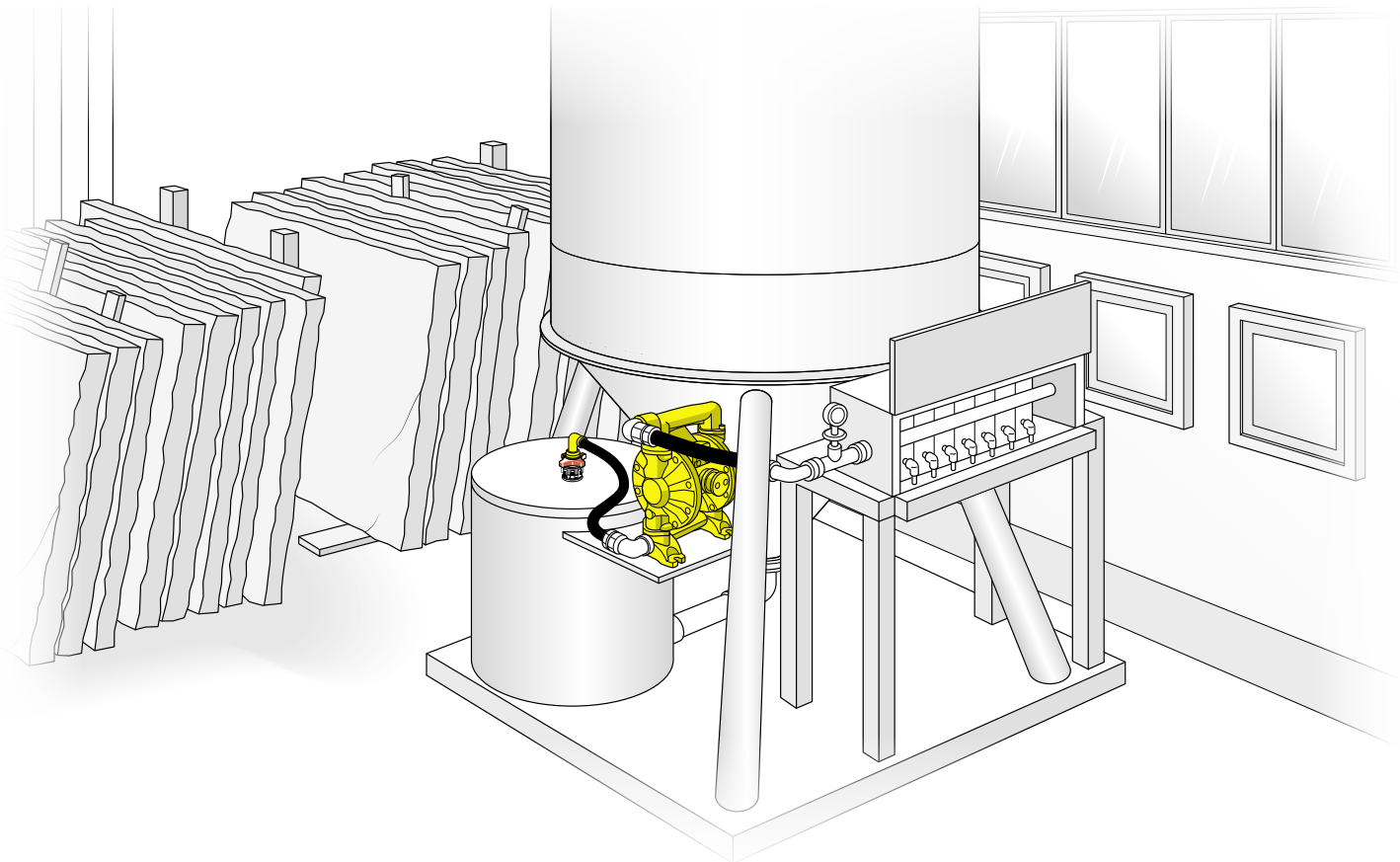
PUMP AIR FEEDING PRESSURE

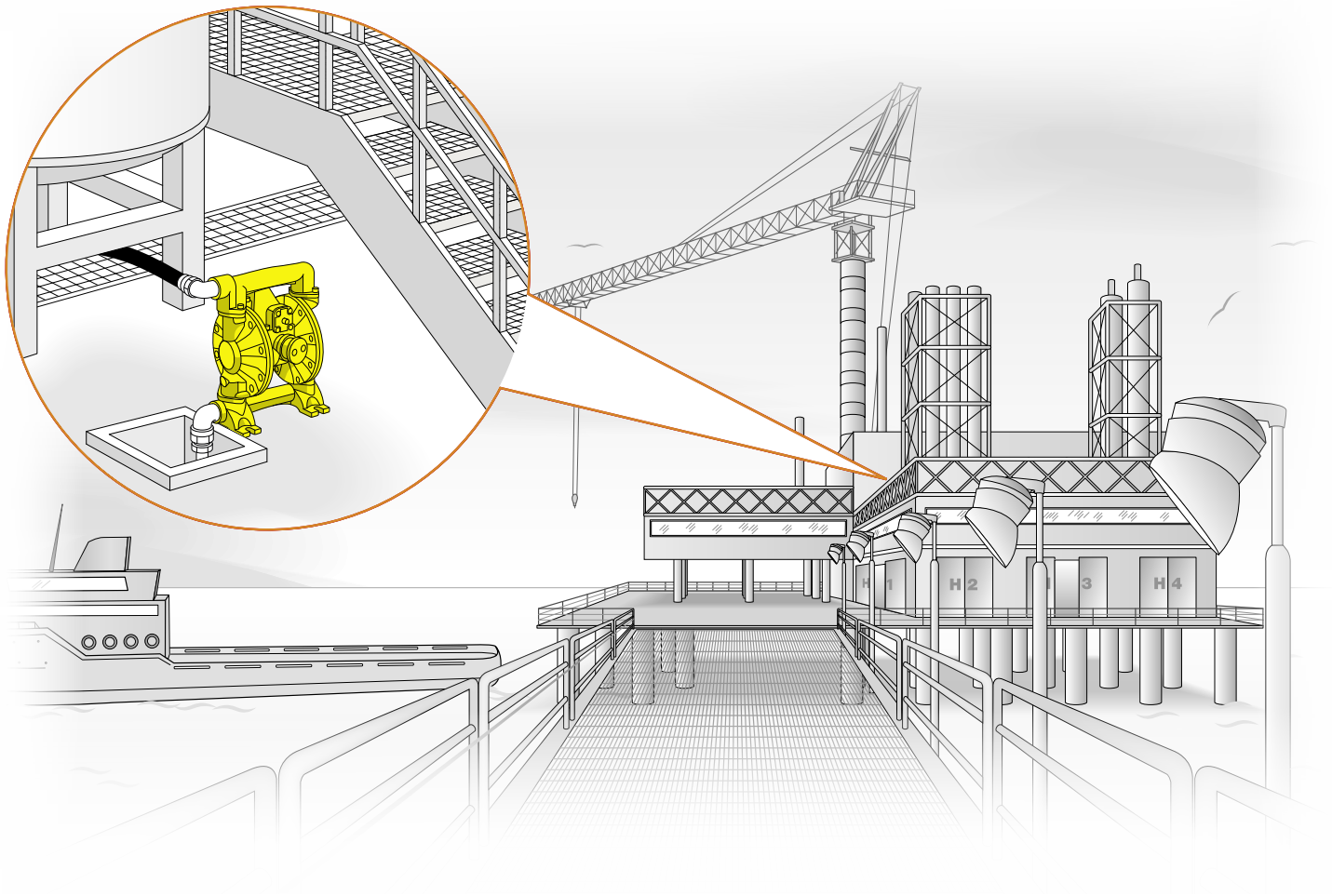


■ KIND OF FLUID: Water 20 °C



■ KIND OF FLUID: Water 20 °C





STAINLESS STEEL DIAPHRAGM PUMPS WITH ALUMINUM MOTOR



ECODORA diaphragm pumps in AISI 316 stainless steel with aluminum motor are versatile and easy to use, suitable for a wide variety of industrial applications. AISI 316 stainless steel is a material with high mechanical and thermal resistance, ideal for use with corrosive agents or in particularly harsh environments. Moreover, they can be used in applications with a potentially explosive atmosphere thanks to their compliance with the ATEX directive.

Technical characteristics

MEMBRANES

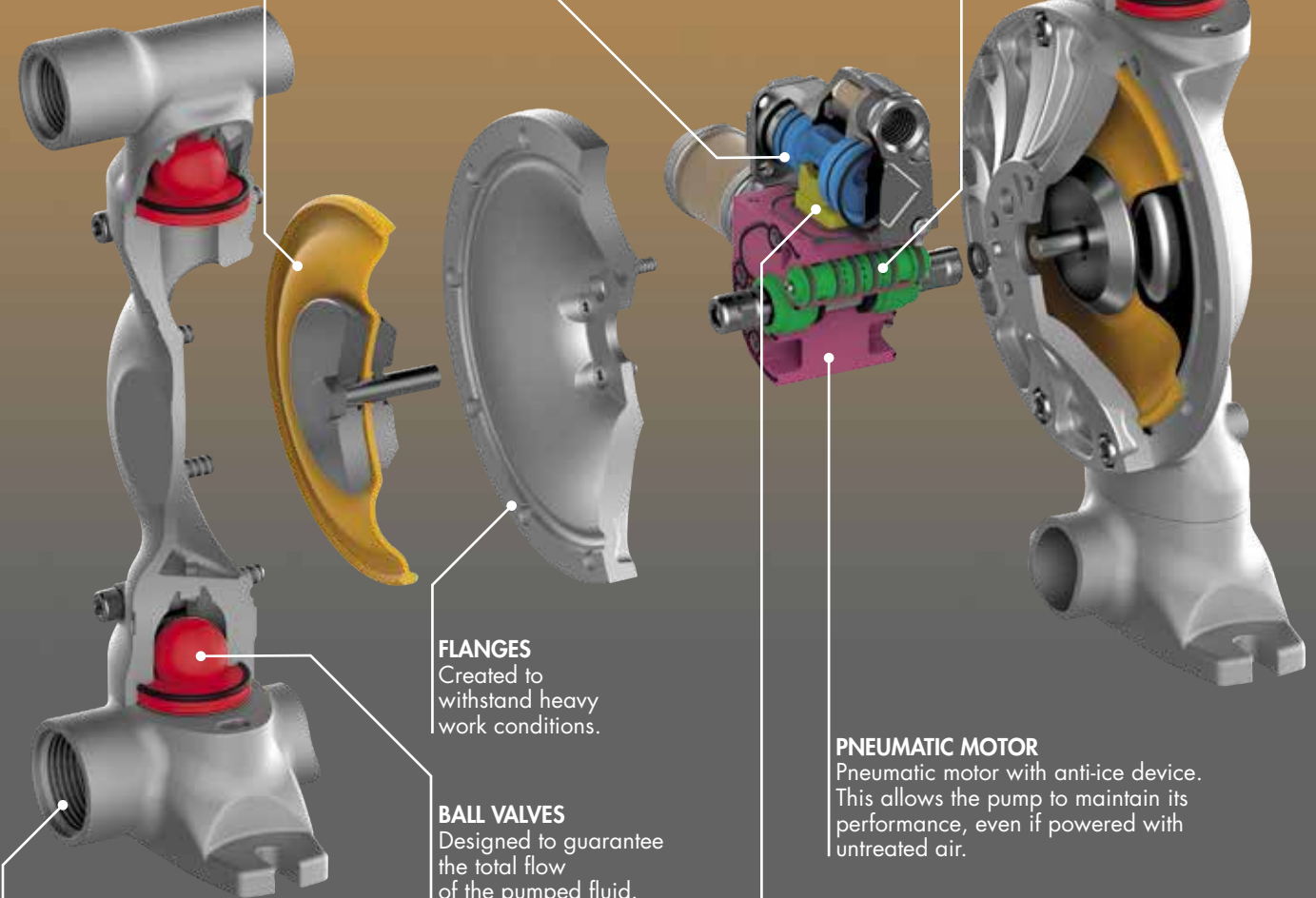
Made of different and specific materials able to withstand many types of fluids and millions of cycles.

AIR DISTRIBUTOR UNIT

Equipped with anti-stall reversing piston that prevents the pump from stopping at a dead point, even in critical operating conditions.

PNEUMATIC MOTOR BLOCK OF THE PUMP

Does not require any type of lubrication because the moving parts are self-lubricating.



FLANGES

Created to withstand heavy work conditions.

BALL VALVES

Designed to guarantee the total flow of the pumped fluid.

PNEUMATIC MOTOR

Pneumatic motor with anti-ice device. This allows the pump to maintain its performance, even if powered with untreated air.

TOTAL FLOW SUCTION AND DELIVERY MANIFOLDS

They facilitate suction of the liquid in any situation, with threaded or flanged connections available in different diameters according to the pump models.

AIR DISTRIBUTION VALVE

Ensures perfect operations in any working conditions. Some examples:

- minimum supply pressures (min. 2 bar);
- critical fluid and environmental temperatures;
- supply pressure fluctuations.

The R 1:1 diaphragm pumps made of AISI 316 stainless steel with aluminum or polypropylene motor ensure reliability and efficiency.

In accordance with directive

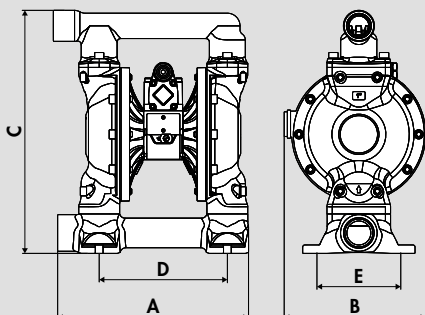


Note: The max flow rate shown in the below graphics has been obtained by laboratory test.

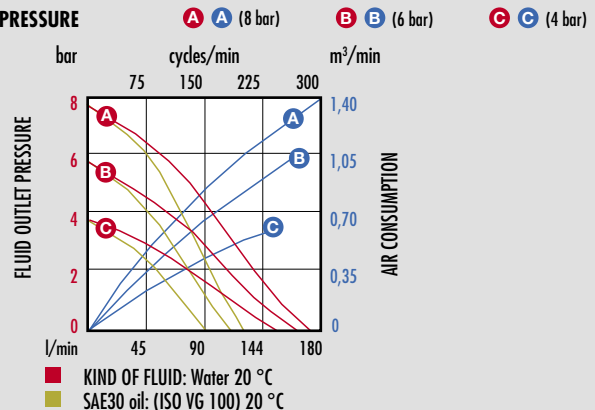


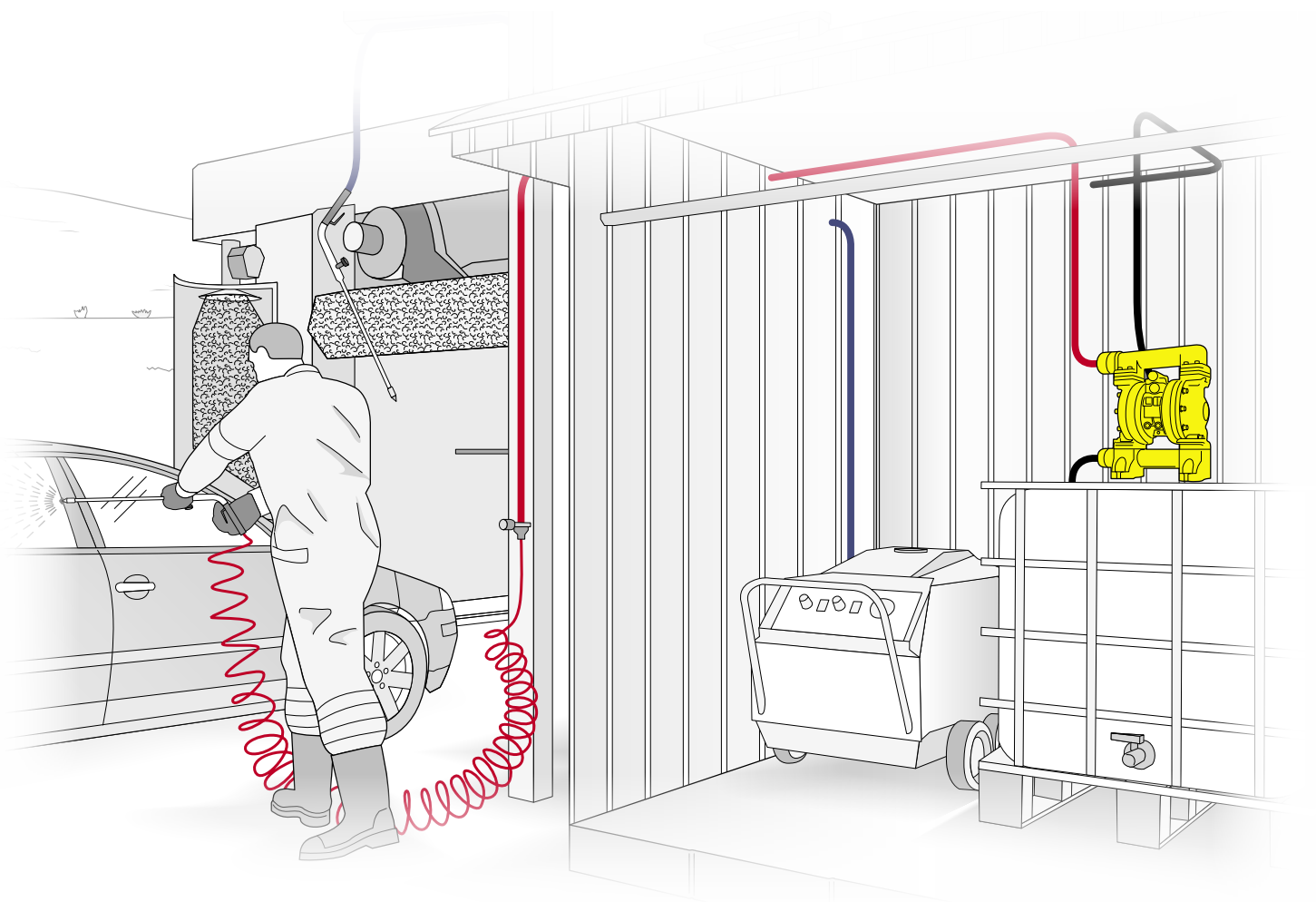
MODEL			AIB-1
Membranes	Balls	Seats	P/N
PTFE+Hytre [®]	PTFE	AISI 316 stainless steel	0E4C1/26415TTI
Max pressure			8 bar
Litres per cycle *			0,590 l
Max suction lift			dry column 5 m - wet column 7,5 m
Max size pumpable solids			3 mm
Max working temperature **			100 °C
Noise level			75 dB
Max air consumption			1,4 m ³ /min
Air working pressure			3 - 8 bar
Air inlet connection			G 3/8" (f)
Air outlet connection (muffler)			G 1/2" (f)
Fluid inlet connection			G 1.1/4" (f)
Fluid outlet connection			G 1" (f)
Balls for inlet and outlet			
Overall dimensions (A - B - C - D - E)			271 - 201 - 345 - 182 - 130 mm
Screws for pump fixing			M10
Packing			No. 1 - 0,07 m ³
Weight			21,5 kg

* Displacement per cycle may be influenced by suction lift, fluid viscosity, air pressure, number of cycles per minute.
 ** The materials in contact with the fluid, and the fluid as well, can restrict the pump working temperature.



PUMP AIR FEEDING PRESSURE





STAINLESS STEEL DIAPHRAGM PUMPS WITH POLYPROPYLENE MOTOR



ECODORA AISI 316 stainless steel diaphragm pumps with polypropylene motor are designed to handle particularly aggressive fluids (acids and alkalis) and are the ideal solution to be used in many working environments, even the most aggressive.

Technical characteristics

MEMBRANES

Made of different and specific materials able to withstand many types of fluids and millions of cycles.

SILENCER

Made of plastic material with increased exhaust system designed to withstand corrosive environments also thanks to stainless steel cage.

AIR DISTRIBUTION VALVE

Ensures perfect operation in any operating conditions, some examples:

- minimum supply pressures (min. 2 bar);
- fluid and environment critical temperatures;
- supply pressure fluctuations.

PNEUMATIC MOTOR ANTI-ICING DEVICE

Pneumatic motor anti-icing device made of plastic material. This allows the pump to maintain its unaltered performance even if powered with untreated air.

PUMP BODY

In polypropylene with integrated flanges and co-molded inserts to guarantee elevated tightening torques.

PNEUMATIC MOTOR BLOCK OF THE PUMP

Does not require any type of lubrication because the moving parts are self-lubricating.

AIR DISTRIBUTOR UNIT

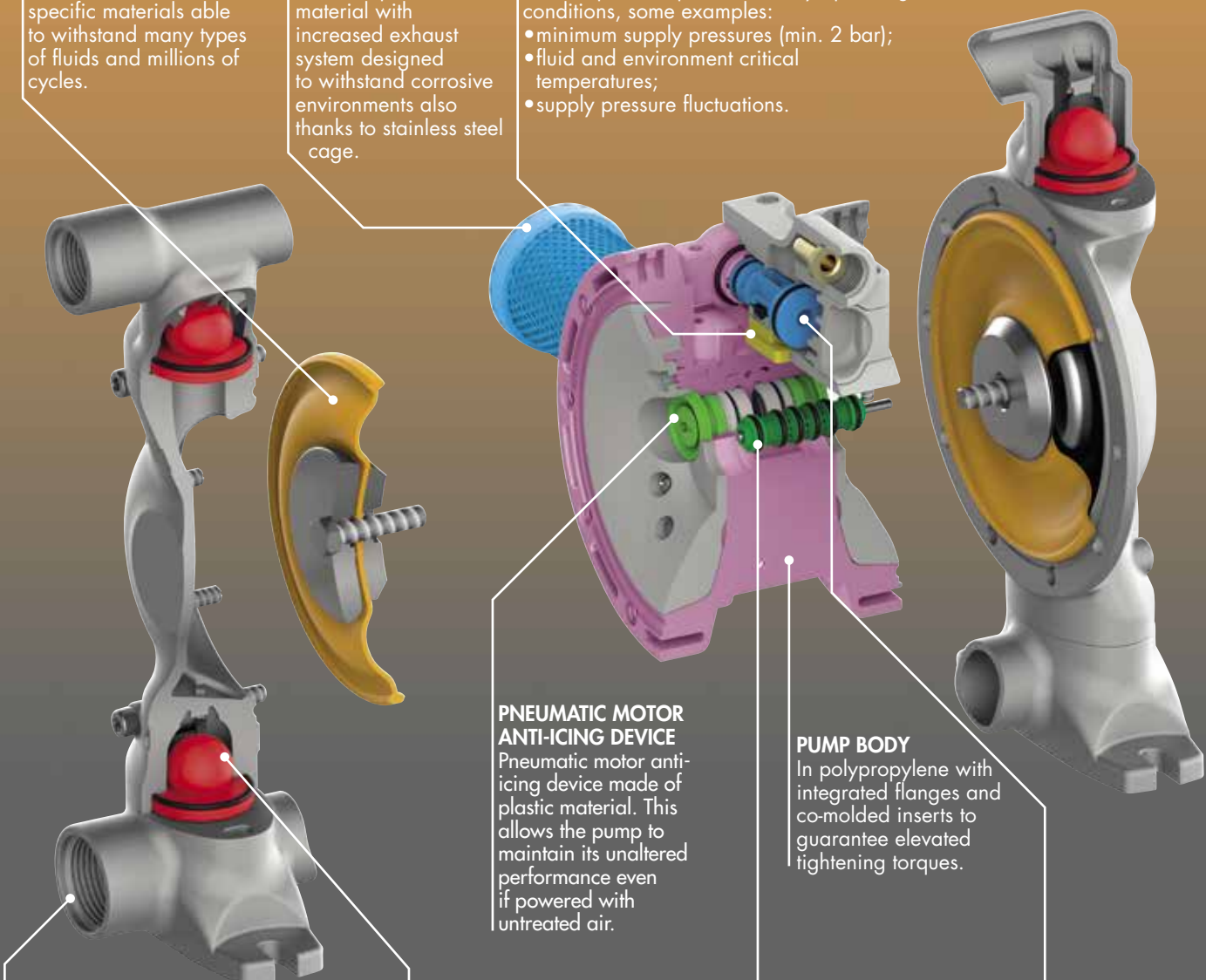
Equipped with anti-stall reversing piston that prevents the pump from stopping at a dead point, even in critical operating conditions.

TOTAL FLOW SUCTION AND DELIVERY MANIFOLDS

They facilitate suction of the liquid in any situation, with threaded or flanged connections available in different diameters according to the pump models.

BALLS AND BALL SEATS

Available in many types of materials to guarantee chemical compatibility according to the fluid to be pumped. Easy to clean or replace as required.



The R 1:1 diaphragm pumps made of AISI 316 stainless steel with polypropylene motor ensure reliability and efficiency.

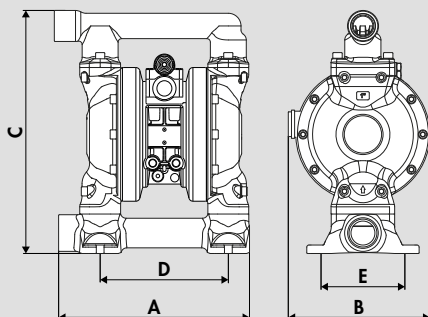
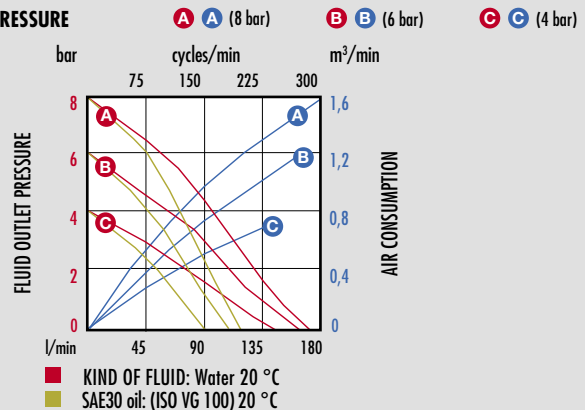
Note: The max flow rate shown in the below graphics has been obtained by laboratory test.

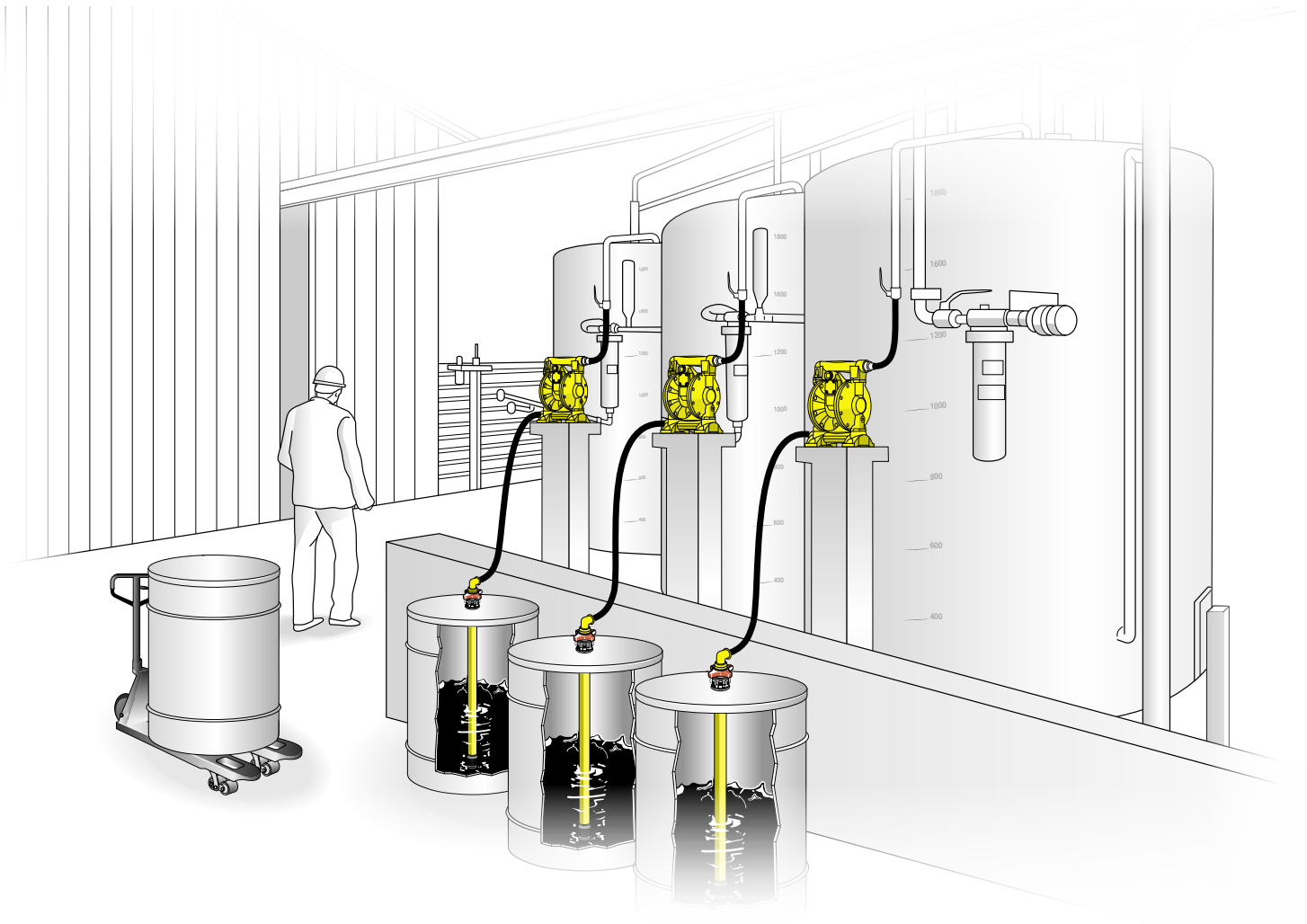


MODEL			PPIB-1
Membranes	Balls	Seats	P/N
PTFE+Hytre [®]	PTFE	AISI 316 stainless steel	OE2A1/26775TTI
Max pressure			8 bar
Litres per cycle *			0,540 l
Max suction lift			dry column 5 m - wet column 7,5 m
Max size pumpable solids			3 mm
Max working temperature **			65 °C
Noise level			78 dB
Max air consumption			1,1 m ³ /min
Air working pressure			3 - 8 bar
Air inlet connection			G 3/8" (f)
Air outlet connection (muffler)			G 3/4" (f)
Fluid inlet connection			G 1.1/4" (f)
Fluid outlet connection			G 1" (f)
Balls for inlet and outlet			
Overall dimensions (A - B - C - D - E)			271 - 201 - 345 - 182 - 130 mm
Screws for pump fixing			M10
Packing			No. 1 - 0,03 m ³
Weight			24 kg

* Displacement per cycle may be influenced by suction lift, fluid viscosity, air pressure, number of cycles per minute.

** The materials in contact with the fluid, and the fluid as well, can restrict the pump working temperature.


PUMP AIR FEEDING PRESSURE






ECODORA polypropylene diaphragm pumps with aluminum motor are designed to handle particularly aggressive fluids (acids and alkalis) and are the ideal solution to be used in many working environments, even the most aggressive.

The screws on these pumps are made entirely of stainless steel to ensure quality, longevity and a better aesthetic design of the product.

Furthermore, they can be used in applications with a potentially explosive atmosphere thanks to their compliance with the ATEX directive.

Our technical department is always at your disposal to help you choosing the materials of membranes, balls and seats compatible with the fluid to be pumped.

Technical characteristics

MEMBRANES

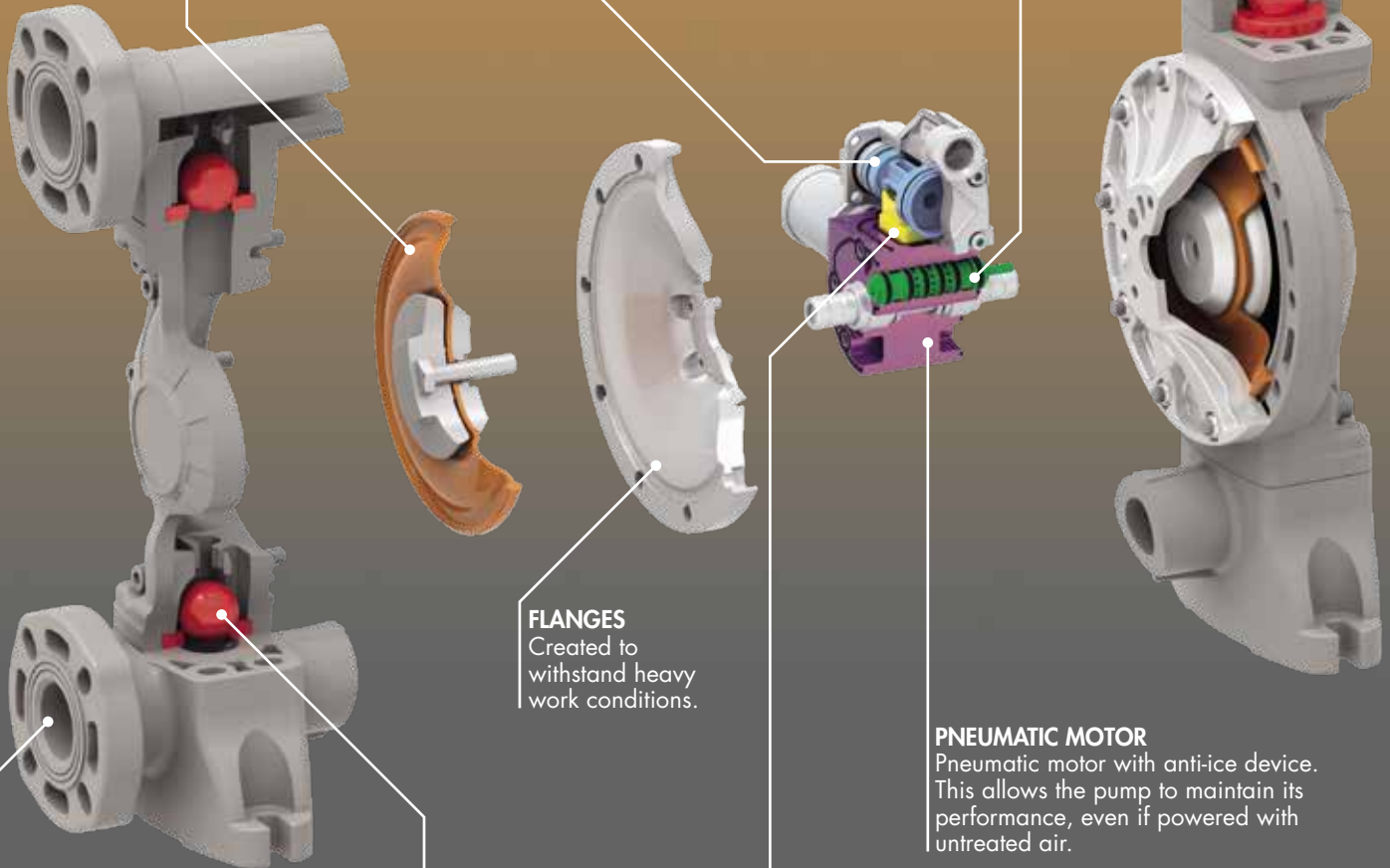
Made of different and specific materials able to withstand many types of fluids and millions of cycles.

AIR DISTRIBUTOR UNIT

Equipped with anti-stall reversing piston that prevents the pump from stopping at a dead point, even in critical operating conditions.

PNEUMATIC MOTOR BLOCK OF THE PUMP

Does not require any type of lubrication because the moving parts are self-lubricating.



FLANGES

Created to withstand heavy work conditions.

TOTAL FLOW SUCTION AND DELIVERY MANIFOLDS

They facilitate suction of the liquid in any situation, with threaded or flanged connections available in different diameters according to the pump models. There is a AISI 316 stainless steel ring to reinforce the thread (versions 1/2").

BALL VALVES

Designed to guarantee the total flow of the pumped fluid. The ball seats are in AISI 316 stainless steel (versions 1") or in AISI 316 stainless steel and polypropylene (versions 1/2").

PNEUMATIC MOTOR

Pneumatic motor with anti-ice device. This allows the pump to maintain its performance, even if powered with untreated air.

AIR DISTRIBUTION VALVE

Ensures perfect operations in any working conditions. Some examples:

- minimum supply pressures (min. 2 bar);
- critical fluid and ambient temperatures;
- supply pressure fluctuations.

Diaphragm pumps R. 1:1 for transferring fluids, made of molding injected polypropylene with motor made in aluminum; they ensure lasting and reliable operation even in extreme conditions and with aggressive fluids.

In accordance with directive



Note: The max flow rate shown in the below graphics has been obtained by laboratory test.

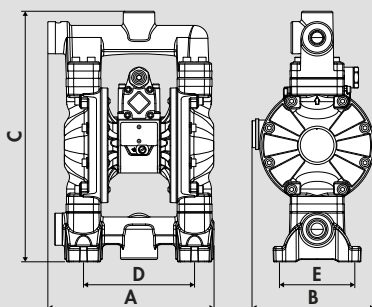
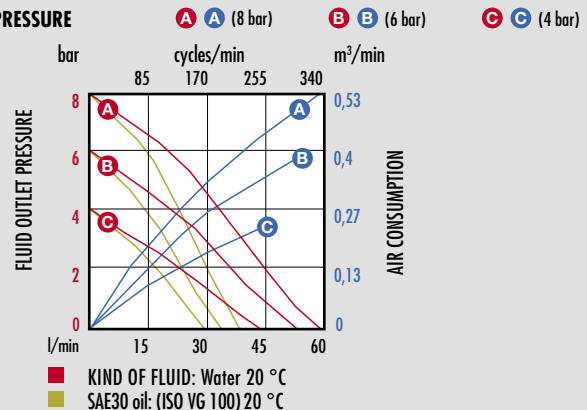


MODEL			APPB-12 with multi-ported inlet/outlet	APPB-12 dual inlet/multi-ported outlet
Membranes	Balls	Seats	P/N	P/N
EPDM	Acetal	Polypropylene and AISI 316	OE2B3/16117EA5	OE2B8/16117EA5
Hytrel®	Hytrel®	Polypropylene and AISI 316	OE2B3/16117HH5	OE2B8/16117HH5
NBR	Hytrel®	Polypropylene and AISI 316	OE2B3/16117NH5	OE2B8/16117NH5
Santoprene™	Santoprene™	Polypropylene and AISI 316	OE2B3/16117SS5	OE2B8/16117SS5
PTFE+Hytrel® *	PTFE	Polypropylene and AISI 316	OE2B3/16117TT5	OE2B8/16117TT5
Max pressure			8 bar	8 bar
Max cycles per min			330 cpm	330 cpm
Litres per cycle **			0,188 l	0,188 l
Max suction lift			dry column 4,5 m - wet column 7,5 m	dry column 4,5 m - wet column 7,5 m
Max size pumpable solids			1,5 mm	1,5 mm
Max working temperature ***			65 °C	65 °C
Noise level			75 dB	75 dB
Max air consumption			0,50 m ³ /min	0,50 m ³ /min
Air working pressure			2 - 6 bar	2 - 6 bar
Air inlet connection			G 3/8" (f)	G 3/8" (f)
Air outlet connection (muffler)			G 1/2" (f)	G 1/2" (f)
Fluid inlet connection			G 3/4" (f) - G 1" (f) for drum	dual inlet G 3/4" (f)
Fluid outlet connection			G 1/2" (f)	G 1/2" (f)
Balls for inlet and outlet				
Overall dimensions (A - B - C - D - E)			220 - 160 - 327 - 145 - 100 mm	220 - 160 - 327 - 145 - 100 mm
Screws for pump fixing			M8	M8
Packing			No. 1 - 0,02 m ³	No. 1 - 0,02 m ³
Weight			5,8 kg	5,7 kg

* With PTFE membrane flow rate is 10 % lower.

** Displacement per cycle may be influenced by suction lift, fluid viscosity, air pressure, number of cycles per minute.

*** The materials in contact with the fluid, and the fluid as well, can restrict the pump working temperature.


PUMP AIR FEEDING PRESSURE


Diaphragm pumps R. 1:1 for transferring fluids, made of molding injected polypropylene with motor made in aluminum. These versions have got 1" flange to connect the pump with the plant. Use the new AISI 304 stainless steel flange available in the "accessories" section for the piping connection.

In accordance with directive



Note: The max flow rate shown in the below graphics has been obtained by laboratory test.

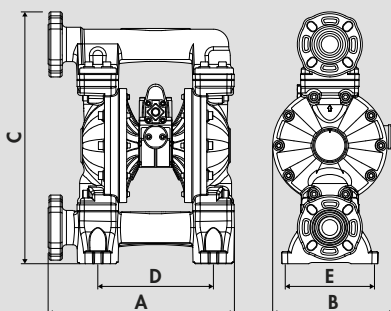
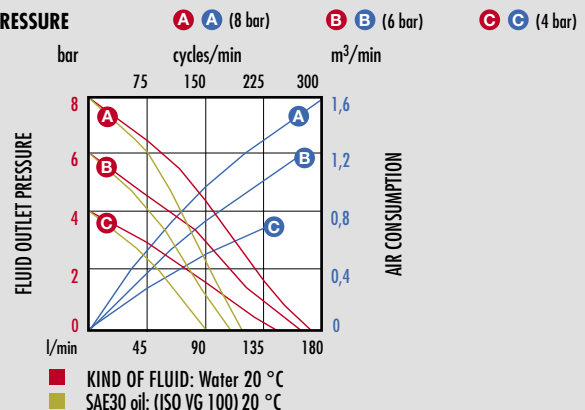


MODEL			APPB-1	APPB-1 dual inlet
Membranes	Balls	Seats	P/N	P/N
EPDM	Acetal	AISI 316 stainless steel	OE2B4/26117EAI	OE2B7/26117EAI
Hytrel®	Hytrel®	AISI 316 stainless steel	OE2B4/26117HHI	OE2B7/26117HHI
NBR	Hytrel®	AISI 316 stainless steel	OE2B4/26117NHI	OE2B7/26117NHI
Santoprene™	Santoprene™	AISI 316 stainless steel	OE2B4/26117SSI	OE2B7/26117SSI
PTFE+Hytrel®*	PTFE	AISI 316 stainless steel	OE2B4/26117TTI	OE2B7/26117TTI
Max pressure			8 bar	8 bar
Max cycles per min			300 cpm	300 cpm
Litres per cycle **			0,590 l	0,590 l
Max suction lift			dry column 5 m - wet column 7,5 m	dry column 5 m - wet column 7,5 m
Max size pumpable solids			3 mm	3 mm
Max working temperature ***			65 °C	65 °C
Noise level			75 dB	75 dB
Max air consumption			1,60 m ³ /min	1,60 m ³ /min
Air working pressure			2 - 6 bar	2 - 6 bar
Air inlet connection			G 3/8" (f)	G 3/8" (f)
Air outlet connection (muffler)			G 1/2" (f)	G 1/2" (f)
Fluid inlet connection			ANSI 150 - DIN PN 10 - JIS 10K 1" (25 mm) proneness to G 1.1/4" (f) thread	dual inlet ANSI 150 - DIN PN 10 - JIS 10K 1" (25 mm) proneness to G 1.1/4" (f) thread
Fluid outlet connection			ANSI 150 - DIN PN 10 - JIS 10K 1" (25 mm) proneness to G 1.1/4" (f) thread	ANSI 150 - DIN PN 10 - JIS 10K 1" (25 mm) proneness to G 1.1/4" (f) thread
Balls for inlet and outlet				
Overall dimensions (A - B - C - D - E)			305 - 200 - 420 - 191 - 130 mm	357 - 200 - 420 - 191 - 130 mm
Screws for pump fixing			M10	M10
Packing			No. 1 - 0,03 m ³	No. 1 - 0,03 m ³
Weight			7 kg	12,1 kg

* With PTFE membrane flow rate is 10 % lower.

** Displacement per cycle may be influenced by suction lift, fluid viscosity, air pressure, number of cycles per minute.

*** The materials in contact with the fluid, and the fluid as well, can restrict the pump working temperature.


PUMP AIR FEEDING PRESSURE


DIAPHRAGM PUMPS IN POLYPROPYLENE



ECODORA diaphragm pumps completely made of polypropylene are designed to handle particularly aggressive fluids (acids and alkalis) and are the best solution to be used in many working environments, even the most aggressive.

The screws on these pumps are made entirely of stainless steel to ensure quality, longevity and a better aesthetic design of the product.

Technical characteristics

MEMBRANES

Made of different and specific materials able to withstand many types of fluids and millions of cycles.

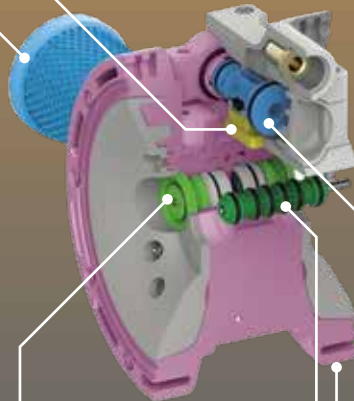
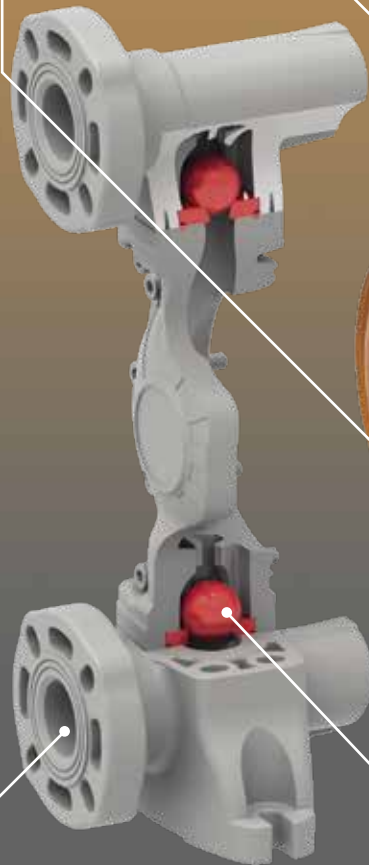
SILENCER

Made of plastic material with increased exhaust system designed to withstand corrosive environments also thanks to stainless steel cage.

AIR DISTRIBUTION VALVE

Ensures perfect operations in any working conditions, some examples:

- minimum supply pressures (min. 2 bar);
- fluid and environment critical temperatures;
- supply pressure fluctuations.



TOTAL FLOW SUCTION AND DELIVERY MANIFOLDS

They facilitate suction of the liquid in any situation, with threaded connections or flanged available in different diameters according to the pump models. There is a AISI 316 stainless steel ring to reinforce the thread (versions 1/2").

BALLS E SEATS

Available in many types of materials to guarantee chemical compatibility according to the fluid to be pumped. Easy to clean or to replace as required. The ball seats are in AISI 316 stainless steel (versions 1") or in AISI 316 stainless steel and polypropylene (versions 1/2").

PNEUMATIC MOTOR ANTI-ICING DEVICE

Pneumatic motor anti-icing device made of plastic material. This allows the pump to maintain its unaltered performance even if powered with untreated air.

PUMP BODY

In polypropylene with integrated flanges and co-molded inserts to guarantee elevated tightening torques.

AIR DISTRIBUTOR UNIT

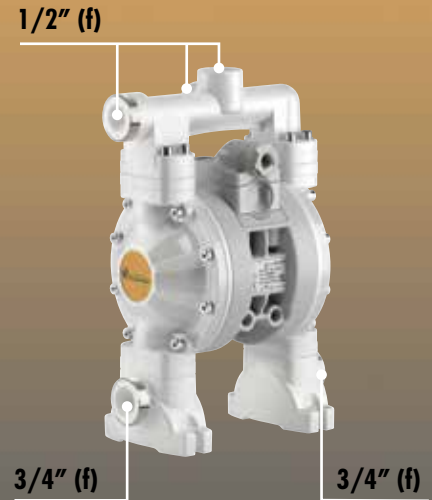
Equipped with anti-stall reversing piston that prevents the pump from stopping at a dead point, even in critical operating conditions.

PNEUMATIC MOTOR BLOCK OF THE PUMP

Does not require any type of lubrication because the moving parts are self-lubricating.

Diaphragm pumps
R. 1:1 for fluids transfer,
 produced entirely in polypropylene, are recommended for applications with industrial fluids, also corrosive, and in working environments with aggressive atmospheres.

Note: The max flow rate shown in the below graphics has been obtained by laboratory test.

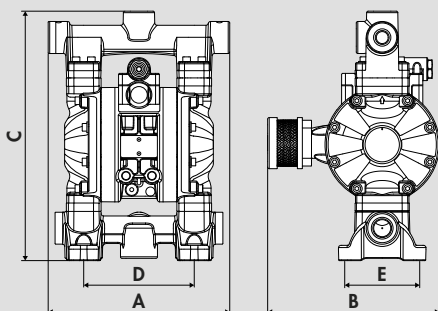
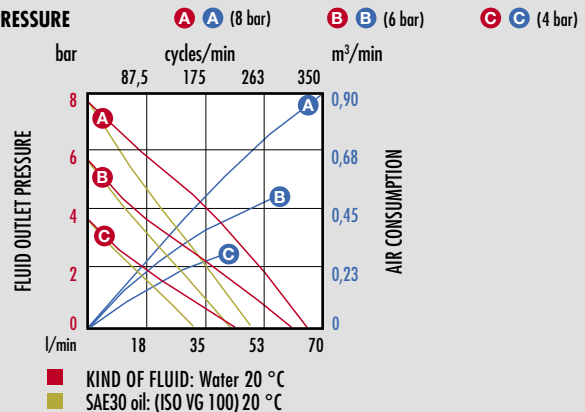


MODEL			PPB-12 with multi-ported inlet/outlet	PPB-12 dual inlet/multi-ported outlet
Membranes	Balls	Seats	P/N	P/N
EPDM	Acetal	Polypropylene and AISI 316	OE2A3/1677EA5	OE2A8/1677EA5
Hytrel®	Hytrel®	Polypropylene and AISI 316	OE2A3/1677HH5	OE2A8/1677HH5
NBR	Hytrel®	Polypropylene and AISI 316	OE2A3/1677NH5	OE2A8/1677NH5
Santoprene™	Santoprene™	Polypropylene and AISI 316	OE2A3/1677SS5	OE2A8/1677SS5
PTFE+Hytrel®*	PTFE	Polypropylene and AISI 316	OE2A3/1677TT5	OE2A8/1677TT5
Max pressure			8 bar	8 bar
Max cycles per min			350 cpm	350 cpm
Litres per cycle **			0,188 l	0,188 l
Max suction lift			dry column 4,5 m - wet column 7,5 m	dry column 4,5 m - wet column 7,5 m
Max size pumpable solids			1,5 mm	1,5 mm
Max working temperature ***			65 °C	65 °C
Noise level			76 dB	76 dB
Max air consumption			0,89 m ³ /min	0,89 m ³ /min
Air working pressure			2 - 6 bar	2 - 6 bar
Air inlet connection			G 3/8" (f)	G 3/8" (f)
Air outlet connection (muffler)			G 3/4" (f)	G 3/4" (f)
Fluid inlet connection			G 3/4" (f) (G 1" (f) for drum)	dual inlet G 3/4" (f)
Fluid outlet connection			G 1/2" (f)	G 1/2" (f)
Balls for inlet and outlet				
Overall dimensions (A - B - C - D - E)			208 - 220 - 326 - 145 - 100 mm	220 - 220 - 326 - 145 - 100 mm
Screws for pump fixing			M8	M8
Packing			No. 1 - 0,02 m ³	No. 1 - 0,02 m ³
Weight			5,8 kg	5,8 kg

* With PTFE membrane flow rate is 10 % lower.

** Displacement per cycle may be influenced by suction lift, fluid viscosity, air pressure, number of cycles per minute.

*** The materials in contact with the fluid, and the fluid as well, can restrict the pump working temperature.


PUMP AIR FEEDING PRESSURE


The family of 1" diaphragm pumps, R. 1:1 for fluid transfer, produced entirely in polypropylene, maintain their performance on applications with industrial fluids, also aggressive, and in working environments with corrosive atmospheres, offering an unquestionable higher capacity.

Note: The max flow rate shown in the below graphics has been obtained by laboratory test.

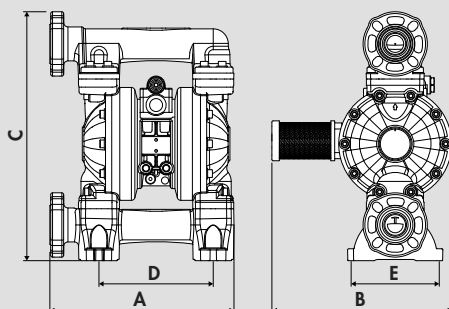
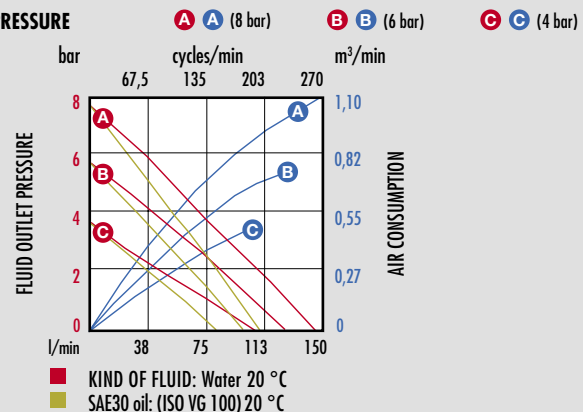


MODEL			PPB-1	PPB-1 dual inlet
Membranes	Balls	Seats	P/N	P/N
EPDM	Acetal	AISI 316 stainless steel	OE2A4/2677EAI	OE2A7/2677EAI
Hytrel®	Hytrel®	AISI 316 stainless steel	OE2A4/2677HHI	OE2A7/2677HHI
NBR	Hytrel®	AISI 316 stainless steel	OE2A4/2677NHI	OE2A7/2677NHI
Santoprene™	Santoprene™	AISI 316 stainless steel	OE2A4/2677SSI	OE2A7/2677SSI
PTFE+Hytrel®*	PTFE	AISI 316 stainless steel	OE2A4/2677TTI	OE2A7/2677TTI
Max pressure			8 bar	8 bar
Max cycles per min			270 cpm	270 cpm
Litres per cycle **			0,540 l	0,540 l
Max suction lift			dry column 5 m - wet column 7,5 m	dry column 5 m - wet column 7,5 m
Max size pumpable solids			3 mm	3 mm
Max working temperature ***			65 °C	65 °C
Noise level			78 dB	78 dB
Max air consumption			1,1 m ³ /min	1,1 m ³ /min
Air working pressure			2 - 6 bar	2 - 6 bar
Air inlet connection			G 3/8" (f)	G 3/8" (f)
Air outlet connection (muffler)			G 3/4" (f)	G 3/4" (f)
Fluid inlet connection			ANSI 150 - DIN PN 10 - JIS 10K 1" (25 mm) proneness to G 1.1/4" (f) thread	dual inlet ANSI 150 - DIN PN 10 - JIS 10K 1" (25 mm) proneness to G 1.1/4" (f) thread
Fluid outlet connection			ANSI 150 - DIN PN 10 - JIS 10K 1" (25 mm) proneness to G 1.1/4" (f) thread	ANSI 150 - DIN PN 10 - JIS 10K 1" (25 mm) proneness to G 1.1/4" (f) thread
Balls for inlet and outlet				
Overall dimensions (A - B - C - D - E)			305 - 300 - 420 - 191 - 130 mm	357 - 300 - 420 - 191 - 130 mm
Screws for pump fixing			M10	M10
Packing			No. 1 - 0,03 m ³	No. 1 - 0,03 m ³
Weight			9,6 kg	9,6 kg

* With PTFE membrane flow rate is 10 % lower.

** Displacement per cycle may be influenced by suction lift, fluid viscosity, air pressure, number of cycles per minute.

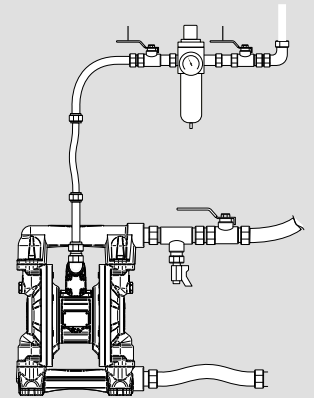
*** The materials in contact with the fluid, and the fluid as well, can restrict the pump working temperature.


PUMP AIR FEEDING PRESSURE




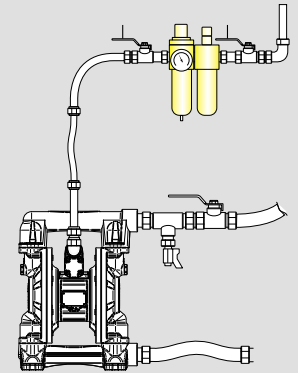
P/N OE37819
Pressure regulator
 with condensate discharge filter and pressure gauge.
 - connections G 3/8" (f) x G 3/8" (f) for application at the start of the compressed air line feeding the pump.

P/N OE37815
Pressure regulator
 with condensate discharge filter and pressure gauge.
 - connections G 1/2" (f) x G 1/2" (f) for application at the start of the compressed air line feeding the pump.

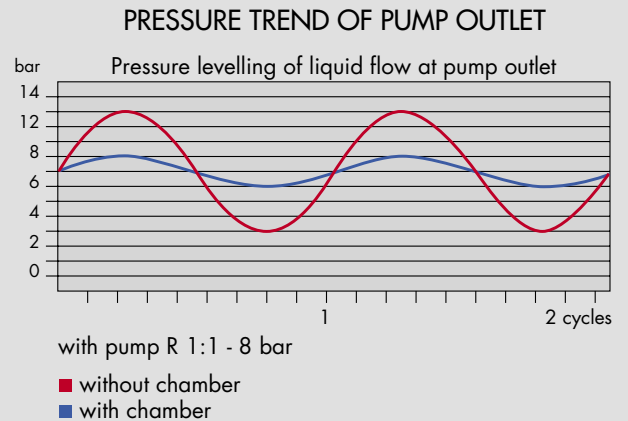


P/N OE37821
Pressure regulator with condensate discharge filter, air lubricator and pressure gauge.
 - connections G 3/8" (f) x G 3/8" (f) the system guarantees that the pump feed air is free of condensate.

P/N OE37817
Pressure regulator with condensate discharge filter, air lubricator and pressure gauge.
 - connections G 1/2" (f) x G 1/2" (f) the system guarantees that the pump feed air is free of condensate.



P/N OE38097
Flow regulator chamber
 G 3/4" (f) x G 3/4" (f) equipped with:
 - one-way valve eliminates sudden pressure
 - changes, ensuring a regular flow
 - suitable for R 1:1 - 3:1 - 5:1 pumps
 - max pressure 100 bar.



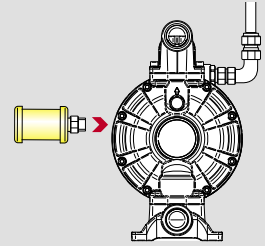
P/N KR4506
Earthing cable provided with plier.
 In environments with risk of explosion (i.e. with a potentially explosive atmosphere according to the ATEX directive) it is mandatory to connect to the ground both the pump and other equipment placed in the working area.

Mufflers reduce exponentially the noise level perceived. They decrease the pump outlet air level noise bringing it to a comfortable level, optimizing the air flow and increasing the pump performance.



P/N OE32/89
Increased muffler G 1/2" (m)
 suitable for 1/2" and 1" pumps with aluminum motor.

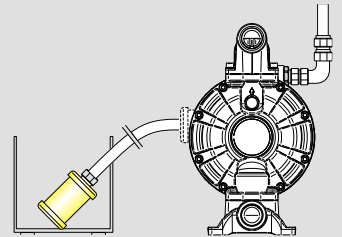
MUFFLER STANDARD INSTALLATION



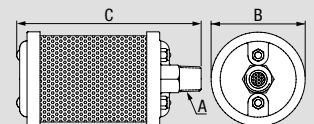
P/N OE32/90
Muffler G 3/4" (m) in polypropylene
 for 1/2" and 1" pumps with plastic motor.

MUFFLER REMOTE INSTALLATION

In case of dangerous fluids pumping please move the muffler in a safe zone away from the working environments.



P/N OE32/91
Muffler G 1" (m) for 1.1/4", 1.1/2" and 2" pumps with aluminum motor.
 Suggested with very dusty environments.



P/N	A	B (mm)	C (mm)
OE32/89	1/2"	40	80
OE32/90	3/4"	67	131
OE32/91	1"	100	220
OE32/92	1"	64	131

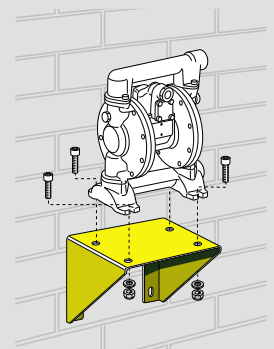


P/N OE32/92
Muffler G 1" (m) for 1.1/4", 1.1/2" and 2" pumps with aluminum motor.



P/N OE33590
Wall bracket in painted steel for wall-mounting of diaphragm pumps 1/2" and 3/4" and screws for pump fixing M8.

P/N OE33591
Wall bracket in painted steel for wall-mounting of diaphragm pumps 1" and 1.1/4" and screws for pump fixing M10.



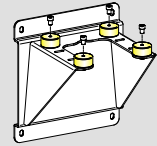


P/N KR33/90

Antivibration kit in SBR rubber \varnothing 30 x h. 20 mm
thread M/M - M8 for 1/2" and 3/4" diaphragm pump.
It reduces the vibrations in heavy applications.

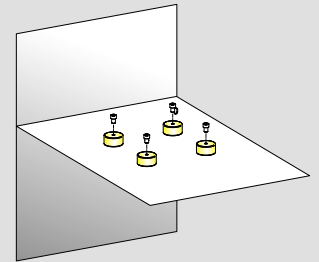
P/N KR33/91

Antivibration kit in SBR rubber \varnothing 50 x h. 30 mm
thread M/M - M10 for 1" and 1.1/4" diaphragm pump.
It reduces the vibrations in heavy applications.



P/N KR33/88

Antivibration kit in SBR rubber \varnothing 30 x h. 20 mm
thread F/F - M12 for 1.1/2" and 2" diaphragm pump.
It reduces the vibrations in heavy applications.



P/N OE32/95 *

1" AISI 304 stainless steel flange suitable to connect the pump to the plant. Thread G 1" (f).

P/N OE32/96 *

1" polypropylene flange suitable to connect the pump to the plant. Thread G 1" (f).

P/N OE32/97 *

2" aluminum flange suitable to connect the pump to the plant. Thread G 1" (f).

* Accessory only for flanged diaphragm pump.



P/N OE33574

Hose holder \varnothing 1.3/4" (47,5 mm) with connection G 1.1/4" (m).

P/N OE33575

Hose holder \varnothing 1.3/4" (47,5 mm) with connection G 1.1/2" (m).

P/N OE33576

Hose holder \varnothing 1.3/4" (47,5 mm) with connection G 2" (m).

P/N OE38080

Hose holder \varnothing 1.1/4" (31,4 mm) with connection G 3/4" (m).

P/N OE38081

Hose holder \varnothing 1.1/4" (31,4 mm) with connection G 1" (m).

P/N OE38082

Hose holder \varnothing 1.1/4" (31,4 mm) with connection G 1.1/4" (m).



P/N OE33571

Hose holder \varnothing 3/4" (22 mm)
with connection G 3/4" (m) in AISI 304 stainless steel.

P/N OE38083

Hose holder \varnothing 3/4" (22 mm)
with connection G 1" (m) in AISI 304 stainless steel.



P/N OE38026
Flexible suction tube 2 m
- \varnothing 30,5 x \varnothing 39 mm.

P/N OE38028
Flexible suction tube 1 m
- \varnothing 30,5 x \varnothing 39 mm.

P/N OE33584
Flexible suction tube 2 m
- \varnothing 45 x \varnothing 57 mm.



P/N OE33434
Bung adaptor
with \varnothing 34 mm suction tube.



P/N OE33426
Flexible suction tube 2 m
- \varnothing 19,5 x \varnothing 27 mm.



P/N OE10/15
Bung adaptor
with \varnothing 53 mm suction tube.



P/N OE33581
Rigid suction tube \varnothing 34 mm
- length 940 mm.

P/N OE33582
Rigid suction tube \varnothing 34 mm
- length 1240 mm.

P/N OE33586
Rigid suction tube \varnothing 53 mm
- length 940 mm.

P/N OE33588
Rigid suction tube \varnothing 53 mm
- length 1240 mm.

P/N OE33594
Rigid suction tube \varnothing 34 mm
- length 1500 mm.



P/N OE33569
Stainless steel suction
tube \varnothing 34 mm
- length 1240 mm.

P/N OE33579
Stainless steel suction
tube \varnothing 34 mm
- length 940 mm.

P/N OE33580
Stainless steel suction
tube \varnothing 34 mm
- length 1240 mm.

P/N OE33596
Stainless steel suction
tube \varnothing 34 mm
- length 1460 mm.



P/N OE33583
Rigid suction tube \varnothing 34 mm
- length 940 mm.

P/N OE33585
Rigid suction tube \varnothing 34 mm
- length 1240 mm.

P/N OE33587
Rigid suction tube
kit \varnothing 53 mm
- length 940 mm.

P/N OE33589
Rigid suction tube
kit \varnothing 53 mm
- length 1240 mm.

P/N OE33595
Rigid suction tube
kit \varnothing 34 mm
- length 1500 mm.



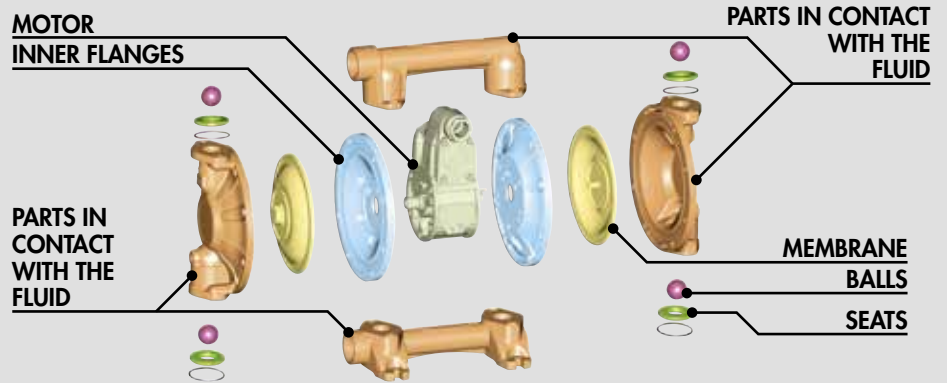
P/N OE33577
AISI 304 stainless steel rigid
suction tube kit
 \varnothing 34 mm
- length 940 mm.

P/N OE33578
AISI 304 stainless steel rigid
suction tube kit
 \varnothing 34 mm
- length 1260 mm.

P/N OE33597
AISI 304 stainless steel rigid
suction tube kit
 \varnothing 34 mm
- length 1240 mm.

Exploded view of the pump, showing its main parts and thereby facilitating the choice for a custom configuration.

The table summarises the pump configurations available, allowing the user to create his own personalised code whenever the models listed on the leaflet do not meet the specific requirements.



Two types of ATEX certifications are available, for zone 2 or for zone 1, depending on the materials the pump is made of.

II 3GD (for zone 2) **II 2GD** (for zone 1)

The valve seats are to be coupled to the balls and must ensure correct closing. Like the balls, they must be made of a material suitable for the fluid they come into contact with.

They open and close the flow of liquid as a result of the reciprocating movement of the follower plates. The material they are made of must be compatible with the fluid being pumped.

They are the only elastic parts of the pump, that suck and pump the liquid with their movement. The material they are made of must be selected in order to obtain the correct chemical compatibility with the liquid to be pumped.

These are all the rigid parts such as external flanges, manifolds and sleeves which are constantly in contact with the liquid to be pumped. Available in various materials, depending on the type of liquid.

These are not in contact with the pumped liquid, but only with the compressed air feeding the motor.

They can be threaded (G) or flanged, single, multiple and modular.

It defines the inside diameter of the manifold.

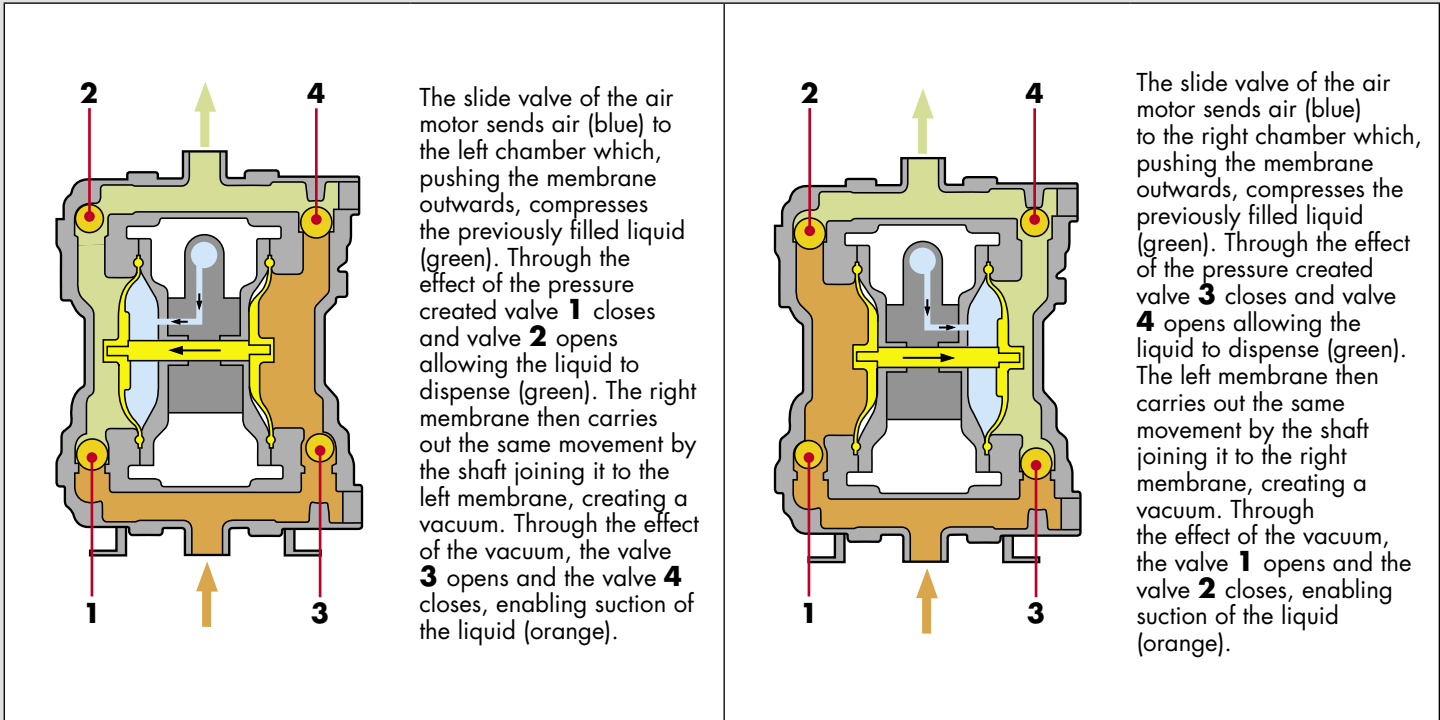
This is the heart of the pump, responsible for the reciprocating movement that creates the flow of liquid.

MATERIALS AND ATEX VERSIONS	MANIFOLD FOR INLET AND OUTLET	FLOW INSIDE DIAMETER	TYPE OF MATERIAL					
			MOTOR	INNER FLANGES	PARTS IN CONTACT WITH THE FLUID	MEMBRANE	BALLS	SEATS
OE2B = Polypropylene for Zone 2	1/ = threaded connection G	16 = 1/2"	1 = Nickel plat. aluminum	1 = Nickel plat. aluminum	1 = Nickel plat. aluminum	E = EPDM	A = Acetal	A = Acetal
OE3C = Aluminum for Zone 1	3/ = mult. thread. connection G	26 = 1"				H = Hytrel®	H = Hytrel®	H = Hytrel®
OE2A = Polypropylene	4/ = connection with flange	30 = 1.1/4"	6 = Aluminum with cataphoresis	6 = Aluminum with cataphoresis	5 = AISI 316 st. steel	N = NBR	S = Santoprene™	P = Polypropylene
OE4C = AISI 316 stainless steel for Zone 2	6/ = multiple modular connection with flange	40 = 1.1/2"				S = Santoprene™	T = PTFE	S = Santoprene™
	7/ = dual inlet connection with flange	50 = 2"	7 = Polypropylene (motor and flanged are a single body)		7 = Polypropylene	T = PTFE + Hytrel®		1 = AISI 316 st. steel
	8/ = dual inlet threaded connection G				V = Aluminum with cataphoresis			5 = Polypropylene and AISI 316 st. steel

EXAMPLE OE3C1/16111EAA

OE3C = Aluminum for Zone 1	1/ = threaded connection G	16 = 1/2"	1 = Nickel plat. aluminum	1 = Nickel plat. aluminum	1 = Nickel plat. aluminum	E = EPDM	A = Acetal	A = Acetal
----------------------------	----------------------------	-----------	---------------------------	---------------------------	---------------------------	----------	------------	------------


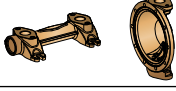
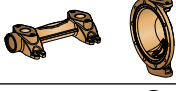

SIMPLE AND EFFECTIVE (1:1 RATIO)



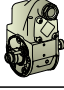
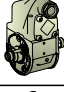

PUMP INSTALLATION

<p style="text-align: center;">ON DRUM (suitable with fluids with max viscosity 10000 cps, 20 °C)</p>	<p style="text-align: center;">DUAL INLET SUCTION (suitable with fluids with max viscosity 50000 cps, 20 °C)</p>	<p style="text-align: center;">TOP FEED (suitable with fluids with max viscosity 10000 cps, 20 °C)</p>	<p style="text-align: center;">BOTTOM FEED (suitable with fluids with max viscosity 50000 cps, 20 °C)</p>
<p style="text-align: center;">ON A MOBILE UNIT (suitable with fluids with max viscosity 10000 cps, 20 °C)</p>		<p style="text-align: center;">SUBMERGED PUMP (suitable with fluids with max viscosity 50000 cps, 20 °C)</p>	
<p style="text-align: center;">BULK TANK (suitable with fluids with max viscosity 50000 cps, 20 °C)</p>			








PARTS IN CONTACT WITH FLUID

PUMP PARTS	MATERIALS	CHARACTERISTICS	TEMPERATURE MAX *
	Nickel-plated aluminum	- average resistance to abrasion and corrosion - not intended for use with HHC (halogenated hydrocarbons)	+100 °C
	Aluminum with treatment in cathoporesis	- wide chemical compatibility - high resistance to abrasion and corrosion	+100 °C
	AISI 316 stainless steel	- wide chemical compatibility - best alternative with aggressive fluids	+100 °C
	Polypropylene	- wide chemical compatibility - best alternative with aggressive fluids	+65 °C


CENTRAL MOTOR BLOCK

PUMP PARTS	MATERIALS	CHARACTERISTICS	TEMPERATURE MAX *
	Nickel-plated aluminum	- high mechanical strength - electrically conductive material for ATEX directive	+100 °C
	Aluminum with treatment in cathoporesis	- high mechanical strength - wide chemical compatibility - electrically conductive material for ATEX directive - cheaper solution	+100 °C
	Polypropylene	- wide chemical compatibility - general use - cheaper solution	+65 °C

DIAPHRAGMS - SEATS - BALLS

PUMP PARTS	MATERIALS	CHARACTERISTICS	TEMPERATURE MAX *
	High Nitrile NBR	- high resistance to aliphatic hydrocarbons, oils and greases - good flexibility	+90 °C
	Hytrel®	- high tenacity and springback - high resistance to permanent deformation - good resistance to industrial chemical substances and solvents - excellent flexibility even at low temperature	+65 °C
	Santoprene™	- excellent flexural and fatigue strength - excellent resistance to abrasion and laceration - excellent resistance to acids, alkalis and ageing - also usable at high temperatures	+110 °C
	EPDM	- good compatibility with organic and non-organic acids - excellent resistance to heat and steam - insensitive to the action of oxidising agents	+110 °C
	PTFE Teflon®	- inert with nearly all chemical reagents - excellent heat resistance - excellent dielectric characteristics - excellent resistance to ageing	+120 °C
	Acetal resin Delrin®	- high fatigue strength - high compressive strength - good dimensional stability (low humidity absorption) - resistance to alcohols and organic compounds	+115 °C
	AISI 316 stainless steel	- high resistance to corrosion even in saline environments - excellent compatibility with chemical and industrial fluids	+100 °C

* The materials in contact with the fluid, and the fluid as well, can restrict the pump working temperature.

 Use these pumps only with fluids with flash point not less than +55 °C.

HOW TO CHOOSE A PUMP SUITABLE FOR ONE'S NEEDS

PUMP SIZE	FLOW RATE	MAX Ø SOLID PARTS	MODEL			
			POLYPROPYLENE	POLYPROPYLENE AND ALUMINUM	ALUMINUM AND CATAPHORESIS	AISI 316 STAINLESS STEEL
1/2"	60 l/min	1,5 mm	-	APPB-12	-	-
	65 l/min	1,5 mm	PPB-12	-	-	-
	70 l/min	1,5 mm	-	-	AAB-12	-
1"	170 l/min	3 mm	-	APPB-1	AAB-1 / AAAB-1-9	-
	145 l/min	3 mm	PPB-1	-	-	-
	130 l/min	3 mm				PPIB-1
	150 l/min	3 mm				AIB-1
1.1/4"	200 l/min	3 mm	-	-	AAB-114	-
1.1/2"	480 l/min	5,5 mm	-	-	AAB-112	-
2"	580 l/min	6,5 mm	-	-	AABM-2 flanged	-
	610 l/min	6,5 mm	-	-	AAB-2	-

TECHNICAL ASPECTS TO BE CONSIDERED FOR A CORRECT CHOICE OF PUMP

PUMP SIZE

The size of a pump is closely linked to its maximum delivery: in fact, the larger the pump the greater the delivery.

CHEMICAL COMPATIBILITY

Some parts of the pump are always in contact with the liquid to be pumped. Therefore the materials these parts are made of must be chemically compatible with the liquid.

DIMENSIONS OF SUSPENDED SOLIDS

The maximum dimensions for suspended solids in the fluid to be pumped are specified in the technical tables of each diaphragm pump.

WORKING TEMPERATURE

The maximum and minimum working temperatures take into account the physical characteristics of the various parts the pump is made of and their interaction with the pumped liquid.

ABRASION RESISTANCE





If the fluid to be pumped is very abrasive, the wear on parts that deteriorate quickly (e.g. diaphragms, balls, seats) can be reduced by choosing a pump larger than required. In this way the speed of the fluid inside the pump will be lower, thereby reducing the abrasion on the parts in contact with it.

SYSTEM SIZE

In order to optimise the performance of the pump it is advisable to consider the following dimensional parameters relevant to the system:

- 1) Suction pipe: position the pump as close as possible to the suction point; if this is not possible, the maximum vertical distance must not exceed the limits reported in the technical table.
- 2) Delivery pipe: the pipe must be sized so as to avoid pressure losses; the internal diameter must be chosen according to the distance to be covered, the temperature and the viscosity of the fluid.

ATEX DIRECTIVE

PUMP FAMILY	DESCRIPTION	CERTIFICATION CLASS
ENTIRELY ALUMINUM MODEL	Conductive material version Built with central body and manifolds in conductive metallic material (Aluminum)	 II 2GD (zone 1)
CATAPHORESIS MODEL	Conductive material version Built with central body and manifolds in conductive metallic material (Aluminum)	 II 2GD (zone 1)
AISI 316 STAINLESS STEEL AND ALUMINUM MODEL	Conductive material version Built with central body (Aluminum) and manifolds (AISI 316 stainless steel) in conductive metallic material	 II 2GD (zone 1)
AISI 316 STAINLESS STEEL AND POLYPROPYLENE MODEL	Central body in non-conductive plastic material (PP)	NOT CERTIFIED
ALUMINUM AND POLYPROPYLENE MODEL	Partially conductive material version Manifolds built with non-conductive plastic material (PP) and central body with conductive material (Aluminum)	 IIB 3GD (zone 2)
ENTIRELY POLYPROPYLENE MODEL	Central body and manifolds in non-conductive plastic material (PP)	NOT CERTIFIED

GENERAL SALES CONDITIONS

The following general sales conditions regulate the sale of goods and services by the company ECODORA S.r.l. for customers residing outside the territory of the Italian State.

Art. 1 GOODS DELIVERY TERMS

The goods are delivered ex works ECODORA S.r.l. The subsequent transport/shipment must occur by, in the name and at the expense of the purchasing customer, even by means of a carrier appointed and designated by the same. All risks arising from loading, subsequent custody and transport are borne entirely by the purchasing customer.

Art. 2 MINIMUM ORDERS

Each order cannot be for less than € 1,500.00, net of fees, taxes, customs duties, discounts and rebates and any other charges not included in the price of the goods. If, at the option of ECODORA S.r.l., orders for lower amounts are accepted, an extra charge of € 155,00 shall be applied for order management administrative expenses.

Art. 3 ACCESSORIES

All the accessories given in the price list (plugs, oil bar taps, oil guns, grease guns, probes, protection caps, clutches, swivelling supports, etc.) are supplied exclusively for fitting to or combining with the items ECODORA S.r.l. produces

Art. 4 COMPLAINTS

Any defects immediately noticed after a brief inspection of the goods (damage, shortages or different product from that ordered) must be notified in writing to our company within 8 (eight) days of receipt of the goods. Any defects in the product noticeable only during its use must be notified in writing to ECODORA S.r.l. within 8 (eight) days of being detected. Any returns of goods must be authorized in advance by ECODORA S.r.l. and freight charges are at the customer's expenses.

Art. 5 DELIVERY TIMES/TERMS

Delivery times and dates are only approximate and are subject to change. Any delays in delivery do not entitle the customer to cancel the order or claim compensation for damages caused by delay of delivery. Delivery times for urgent orders must be agreed directly with ECODORA S.r.l. ECODORA S.r.l. has the right not to carry out the order and/or totally or partially carry it out, without this giving rise to reimbursement or claims for compensation for damage.

Art. 6 PACKS AND PACKAGING

Packaging costs are included in the price, except for special packing, which shall be charged at cost.

Art. 7 PRICES

The current Price list cancels and replaces the previous price list. In the event of changes to our price list and/or individual items, the goods shall be forwarded at the price in force on the day of the order confirmation. The price list and/or the prices of individual items can be changed even without notice, according to the changes in market conditions or technical innovations/modifications made to the product. The prices are understood to be ex works ECODORA S.r.l.

Art. 8 PAYMENTS

Payments must be made exclusively to ECODORA S.r.l. at the agreed conditions. Under no circumstances will deductions or roundings be accepted. In case of late payment with respect to the agreed conditions, ECODORA S.r.l. reserves the right to charge interest at the current rate, effective from the day after that agreed for payment, plus any additional expenses. Discounts conditional on the payment term and already credited shall be recharged.

Art. 9 WARRANTY

ECODORA S.r.l. provides each product with the communication of particular instructions for the installation, use and maintenance requirements and the need to carry out possible checks on the product. All the technical information and data mentioned in the catalogue and in the price-list in force are not binding and can be changed without prior notice for the purpose of improving the quality of the products. All products manufactured by ECODORA S.r.l. are guaranteed for a period of 5 (five) years from the date of delivery to the first user. The user must keep and show the sales invoice - or an equivalent document - together with the item's serial number in order to make a claim under the ECODORA S.r.l. guarantee. The 5 (five) year guarantee does not apply to components which are subject to normal wear and tear (such as gaskets, diaphragms, O-rings, hoses, etc.), electronic components and items that are sold but not manufactured by ECODORA S.r.l. (marked with a red asterisk in the current product catalogue) which are guaranteed for 1 (one) year from the date of delivery to the first user.

1 (one) year warranty is valid also for the following products:

- digital litre counters and FCS system;
- cable reels;
- electric, pneumatic or hydraulic motor supplied with our industrial hose reels s. 600 and 700.

Incorrect installation, use or maintenance of the product shall void the warranty. Upon written notice, the articles must be returned free to our Factory for checking and acceptance. In any case, the guarantee expires in the 10th year from the date of manufacture (indicated by the serial number), if the stated expiry takes place before the expiration terms indicated above (1 or 5 years from delivery to the first user).

Art. 10 RESPONSIBILITY

ECODORA S.r.l. is exempt from any responsibility and liability for accidents that may occur to persons and property, as a result of or during the use of the equipment, due to or depending on the same whenever the products have been damaged during transport, tampered with or modified, or improperly used, or stored, installed, protected and preserved without complying with the instructions of ECODORA S.r.l. as given in the installation, use and maintenance instruction manuals for each product. ECODORA S.r.l. is liable for the value for the supplied product and cannot be held responsible in any way for other possible costs or additional costs that the customer may bear.

The Intellectual Property rights to the trademark ECODORA are exclusive and all rights to its use and reproduction are reserved.

The ECODORA trademark is a protected trademark at an international level. No part of the ECODORA trademark and its logo may be utilized, copied and/or used in any form, time and space, even by means of improper alterations.

The Intellectual Property rights on the images published in this catalogue are owned exclusively by ECODORA S.r.l. and any unauthorized reproduction is prohibited.

Any use in general of the assets protected by the Intellectual Property rights of the trademark ECODORA is prohibited and is subject to the prior written permission of ECODORA S.r.l.

FOR FOREIGN MARKETS

Art. 11 CONFIDENTIALITY

Information not in the public domain that is exchanged in the execution of the contract is subject to the obligation of confidentiality, secrecy and security; said information is covered as an industrial secret and is of a confidential and reserved nature and may not be disseminated to third parties; its use is permitted exclusively and strictly to execute the supply contract.

Art. 12 INTELLECTUAL PROPERTY RIGHTS

The ECODORA trademark, and likewise the name ECODORA, ECODORA S.r.l., the logo and the other distinctive signs are internationally registered trademarks, and ECODORA S.r.l. does not authorise their use and application under any circumstances. Without prior written consent from ECODORA S.r.l., the content of catalogues, price lists, instruction manuals and similar, including content on the website may not be reproduced, either entirely or partially, nor may it be transferred by electronic or traditional means, nor may it be modified or utilised by any means and for any purpose. All rights are held by ECODORA S.r.l. The customer acknowledges that ECODORA S.r.l. holds exclusive ownership of all the parts, images, photographs and signs not in common usage, the content in the catalogues, price lists, instruction manuals and similar and/or present on the website www.ecodora.com and/or other channels and/or social networks used by ECODORA S.r.l. for their informational and marketing campaigns pursuant to Copyright Law and the Industrial Property Code.

Art. 13 INFORMATION ON THE PROCESSING OF DATA PURSUANT TO ITALIAN LEGISLATIVE DECREE 196/2003

In accordance with article 13 of Italian Legislative Decree 196/2003 - Personal Data Protection Code - you are hereby advised that the processing of the personal data, provided with the purchase of goods or services and/or the supply of goods or services is solely for the purposes of carrying out the contract-based obligations and to comply with the specific requests from customers/ suppliers, as well as adhering to legislative obligations, in particular accounting and tax obligations or to respect orders issued by public authorities or to exercise a right in court.

The data shall also be used for commercial statistics for corporate use and to obtain commercial information on our products and services if expressly authorised by the applicant. The processing of data shall be done using hard-copy and computerised procedures, in the manner and within the limits necessary to achieve the aforementioned purposes. Data may be communicated and processed by other companies in the Group for the same specified purposes, and may be made known to employees of our company, consultants and other suppliers, always and exclusively within the limits of the aforementioned purposes.

The provision of data is mandatory for the correct execution of the contract and pre-contract based obligations, and failure to do so could result in it being impossible to fully comply with contractual obligations, and make it impossible to provide updates on the new products and services offered by our company. Data shall be processed for the duration of the contract relationship in place and subsequently to fulfil any legal formalities.

Art. 14 RIGHTS OF DATA SUBJECTS

The information is aimed at defining the limits and methods for the processing of data, based on which individual customers and/or suppliers may freely authorise the collection and subsequent use of data. Data subjects are entitled to the rights pursuant to article 7 of the aforementioned Code and in particular, the right to access their personal data, ask for the amendment, update and cancellation thereof, if incomplete, incorrect or collected in violation of the law, and may object to the processing for legitimate reasons, addressing requests in this regard to ECODORA S.r.l.

Pursuant to the same article the data subject also has the right to request the complete and updated list of the Data Supervisors, and to ask for the cancellation, transformation into anonymous form or blocking of data processed in violation of the law, and to oppose in any case, for legitimate reasons, the processing thereof. To exercise these rights, and in the case of problems or any requests for clarification regarding what has been explained herein, kindly address these to the following email address: info@ecodora.com.

Art. 15 DATA CONTROLLER

The Data Controller is ECODORA S.r.l. with registered office at Via Marangoni 33, Cassola (VI) – Italy, and this is where the data processing shall take place.

Art. 16 COMPETENT LAW COURT

Any disputes shall be settled by the Law Court of Vicenza, Italy.



The manufacturer declines any responsibility for possible inaccuracies contained in this catalogue, due to printing or transcription errors.

The manufacturer reserves the right to make any changes or improvements of a functional, technical or aesthetic nature without prior notice.



All rights reserved by ECODORA S.r.l.



Company with an
ISO 9001:2015 certified
quality management system



ECODORA S.r.l.
Vicenza - Italy
Tel. +39 0424 570891
Fax +39 0424 571354
www.ecodora.com
info@ecodora.com

CE Made in Italy



WECPM-GB
rev. 00