

PIT DRAINER FOR WASTE OIL

P/N OE42059

Pit waste oil drainer, 65 litres equipped with: ► quick-release connector

No.1 packing m³ 0,140 kg 27,3

CONSULT THE OVERALL DIMENSIONS ON THIS PAGE AT THE BOTTOM RIGHT

P/N OE42060

Pit waste oil drainer, 65 litres equipped with: ► hose-holder ø 30

No.1 packing m³ 0,140 kg 28

P/N OE42061

Pit waste oil drainer, 110 litres equipped with: ► quick-release connector

No.1 packing m³ 0,270 kg 54

P/N OE42062

Pit waste oil drainer, 110 litres equipped with: ► hose-holder ø 30

No.1 packing m³ 0,220 kg 40

P/N OE42055

Pit waste oil drainer, 150 litres equipped with: ► quick-release connector

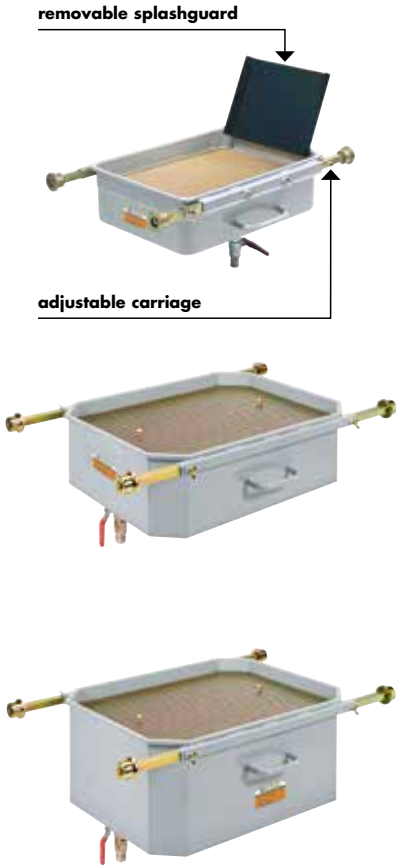
No.1 packing m³ 0,270 kg 53,5

P/N OE42056

Pit waste oil drainer, 150 litres equipped with: ► hose-holder ø 30

No.1 packing m³ 0,270 kg 54

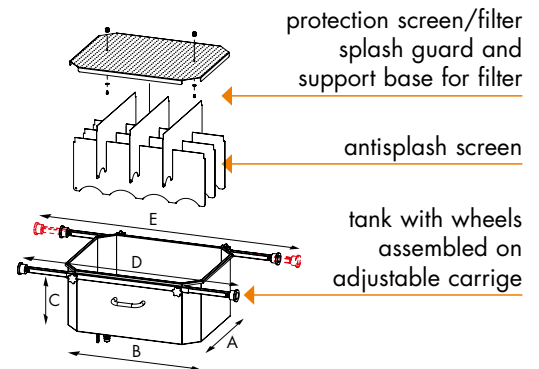
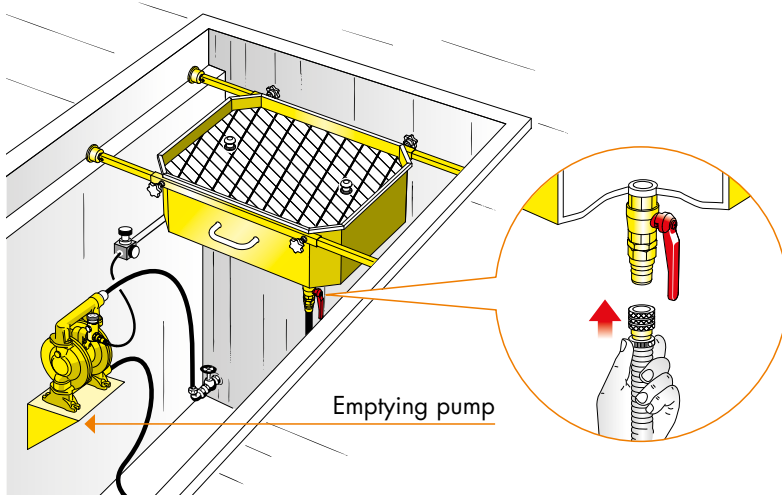
⚠ The above items must not be used with flammable or corrosive fluids



P/N		OE42059	OE42060	OE42061	OE42062	OE42055	OE42056
Tank capacity	litres	65	65	110	110	150	150
Wheels		adjustable carriage	adjustable carriage	adjustable carriage	adjustable carriage	adjustable carriage	adjustable carriage
Emptying		by suction	by gravity	by suction	by gravity	by suction	by gravity
Equipped with		quick-release connector	hose-holder ø 30	quick-release connector	hose-holder ø 30	quick-release connector	hose-holder ø 30

Pouring from the drainer to the tank.

The drained oil can be transferred from the collection bowl to the storage tank by gravity or by using an emptying pump connected to the fixed system



P/N	A	B	C	D	E
OE42059	51	66	22	75	120
OE42060	51	66	22	75	120
OE42061	63,5	79	26,4	84	125
OE42062	63,5	79	26,4	84	125
OE42055	63,5	79	35,7	84	125
OE42056	63,5	79	35,7	84	125

FLOOR DRAINER FOR WASTE OIL

P/N OE42069

Floor waste oil drainer, 50 litres capacity, equipped with: ► **quick-release connector**

No.1 packing m^3 0,140 kg 20,5 OVERALL DIMENSIONS P:630 H:235 L:780 mm



P/N OE42070

Floor waste oil drainer, 50 litres capacity, equipped with: ► **suction tube**

No.1 packing m^3 0,140 kg 21 OVERALL DIMENSIONS P:630 H:235 L:780 mm

P/N OE42072

Floor waste oil drainer, 95 litres capacity, equipped with: ► **quick-release connector**

No.1 packing m^3 0,200 kg 37,5 OVERALL DIMENSIONS P:725 H:200 L:1200 mm



P/N OE42073

Floor waste oil drainer, 95 litres capacity, equipped with: ► **pump P/N OE33070**

No.1 packing m^3 0,200 kg 40 OVERALL DIMENSIONS P:725 H:200 L:1199 mm

P/N OE42075

Floor waste oil drainer, 150 litres capacity, equipped with: ► **quick-release connector**

No.1 packing m^3 0,330 kg 53 OVERALL DIMENSIONS P:742 H:295 L:1238 mm



P/N OE42076

Floor waste oil drainer, 150 litres capacity, equipped with: ► **pump P/N OE33/2011HHV2**

No.1 packing m^3 0,330 kg 61 OVERALL DIMENSIONS P:742 H:295 L:1238 mm

The above items must not be used with flammable or corrosive fluids

P/N		OE42069	OE42070	OE42072	OE42073	OE42075	OE42076
Tank capacity	litres	50	50	95	95	150	150
Wheels		4 castors	4 castors	2 castors + 2 fixed	2 castors + 2 fixed	2 castors + 2 fixed	2 castors + 2 fixed
Emptying		by suction	by suction	by suction	pneumatic	by suction	pneumatic
Equipped with		quick-release connector	suction tube	quick-release connector	pump OE33070	quick-release connector	pump OE33/2011HHV2

Pouring from the drainer to the tank.

The drained oil can be transferred from the collection bowl to the storage tank by suction with the incorporated probe or by an emptying pump connected to the fixed system or mounted directly on the collection basin

