

# WASTE OIL EQUIPMENT




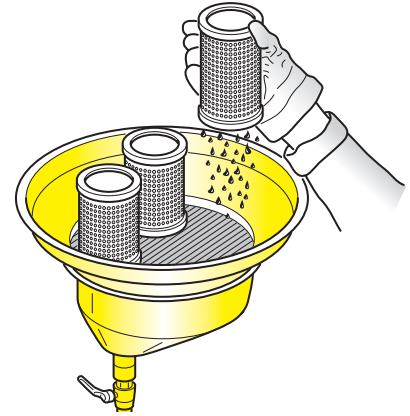
MADE IN ITALY



## art. 0E42049

Kit for collecting waste oil made up of trolley for trade drums **20/60 Kg** (art. 0E80050), and collecting bowl, **without funnel.**

N° 2 pack.  $m^3$  0,115  kg 15



In addition to serve as a filter, the anti-splash screen is also useful support for draining the filters just changed.



## art. 0E42064

**65 litre** waste oil drainer with level gauge and centre mounted adjustable collecting bowl **without funnel.**

Height from mm 1170 to 1680

N° 2 pack.  $m^3$  0,265  kg 31



## art. 0E42065

**65 litre** waste oil drainer with level gauge and centre mounted adjustable collecting bowl **with funnel and anti-splash filter.**

Height from mm 1270 to 1780

N° 2 pack.  $m^3$  0,270  kg 33



## art. 0E42089

**90 litre** waste oil drainer with level gauge and centre mounted adjustable collecting bowl **without funnel.**

Height from mm 1300 to 1800

N° 2 pack.  $m^3$  0,295  kg 32



## art. 0E42090

**90 litre** waste oil drainer with level gauge and centre mounted adjustable collecting bowl **with funnel and anti-splash filter.**

Height from mm 1400 to 1900

N° 2 pack.  $m^3$  0,300  kg 34



## art. 0E42092

**90 litre waste oil drainer with level gauge and side mounted adjustable collecting bowl with funnel and antisplash filter. Equipped with emptying pneumatic pump.**

N° 3 pack.  $m^3$  0,320      kg 40

Article	0E42092
Tank and bowl	
Tank capacity	90 l
Bowl capacity	13 l
Diameter oversize funnel	Ø 580 mm
Maximum height	1700 mm
Minimum height	1250 mm
Pneumatic pump for emptying	
Pump compression ratio	3:1
Air inlet connection	1/4"
Working pressure	2-5 bar
Max flow rate	14 l/min
Length of draining hose	2 m

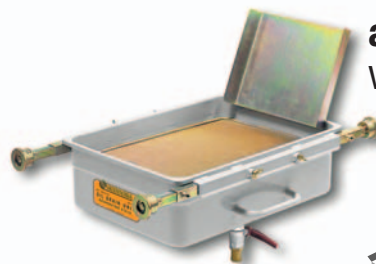


## art. 0E42070

**Floor mounted waste oil drainer for trucks, with tank capacity 50 litres.**

N° 1 pack.  $m^3$  0,136      kg 18,8

Article	0E42070
Capacity	50 l
Casters	4 x ø 80
Discharge tube	incorporated

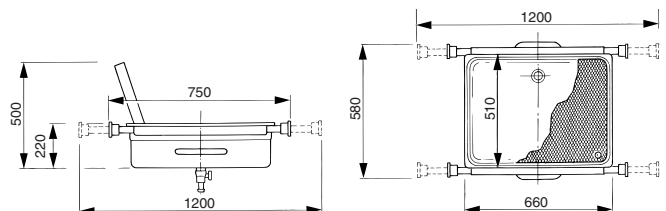
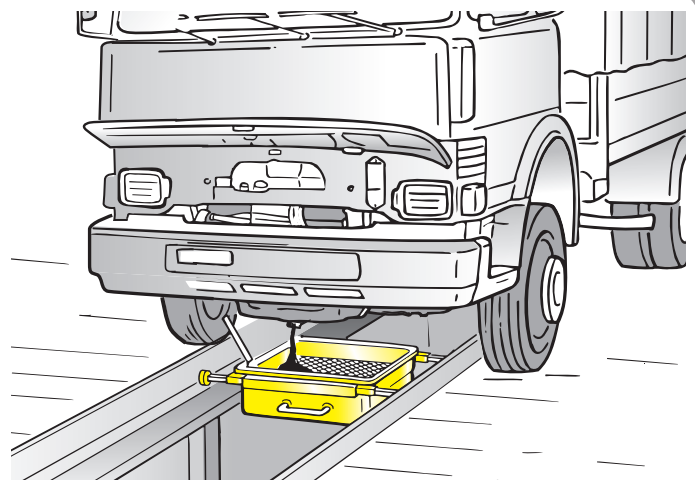


## art. 0E42060

**Waste oil drainer for pits with 65 litre tank.**

N° 1 pack.  $m^3$  0,140      kg 27,1

Article	0E42060
Capacity	65 l
Discharge hole	male 1"G

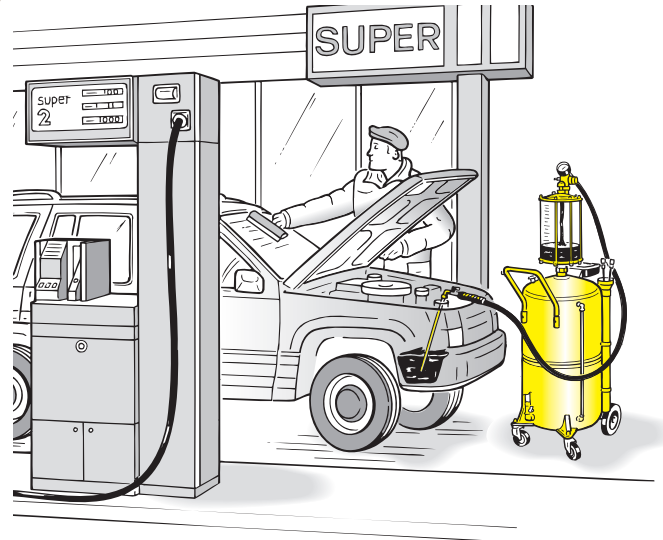


## art. 0E43024

Wheel mounted **24 litre** waste oil changer, equipped with level gauge and standard series of probes.



N° 1 pack.  
m<sup>3</sup> 0,090      kg 13,7



## art. 0E43060

Wheel mounted **65 litre** waste oil changer, equipped with level gauge and standard series of probes.



N° 2 pack.  
m<sup>3</sup> 0,230      kg 26,9

## art. 0E43065

Wheel mounted **65 litre** waste oil changer, **with transparent bowl**, equipped with level gauge and standard series of probes.



N° 2 pack.  
m<sup>3</sup> 0,230      kg 32,9

## art. 0E43090

Wheel mounted **90 litre** waste oil changer, equipped with level gauge and standard series of probes.



N° 2 pack.  
m<sup>3</sup> 0,250      kg 31,4

## art. 0E43091

Wheel mounted **90 litre** waste oil changer, **with transparent bowl**, equipped with level gauge and standard series of probes.



N° 2 pack.  
m<sup>3</sup> 0,250      kg 36

# AIR OPERATED COMBINED WASTE OIL SUCTION/DRAINERS



## art. 0E44059

Oil suction/drainer with **65 litre** wheel mounted tank equipped with level gauge, **without funnel.**



Height from mm 1240 to 1650

N° 3 pack.  $m^3$  0,325 kg 32,6

## art. 0E44065

Oil suction/drainer with **65 litre** wheel mounted tank equipped with level gauge and **transparent bowl, with funnel and antislash filter.**



Height from mm 1530 to 1750

N° 3 pack.  $m^3$  0,330 kg 38,2

## art. 0E44091

Oil suction/drainer with **90 litre** wheel mounted tank equipped with level gauge and **transparent bowl, with funnel and antislash filter.**

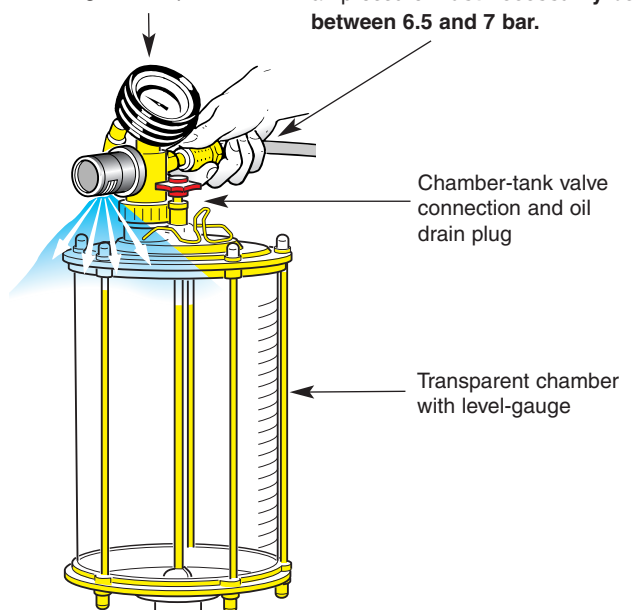


Height from mm 1660 to 1880

N° 3 pack.  $m^3$  0,360 kg 42,1

Vacuum gauge for checking suction power

For the right depressurization, the air pressure **must necessarily be between 6.5 and 7 bar.**



The **chamber valve** enables the drainer to be used with bowl vacuum only, thus preventing the tank vacuum from being discharged once the oil has been drained.



## art. 0E46065

Pantograph waste oil **suction/drain**er for motor vehicles and motor cycles equipped with wheel mounted **65 litre tank**.

N° 4 pack.  $m^3$  0,310 kg 42,7

Article	0E46065	0E46115	0E46215
Tank capacity	65 l	115 l	115 l
Max. draining capacity	52 l	97 l	97 l
Bowl capacity	14 l	14 l	50 l
Depressurizing pressure	7 bar	7 bar	7 bar
Depressurization time	2 min	3-3,5 min	3-3,5 min
Noise level	75 dB	75 dB	75 dB
Suction speed with oil at 70-80°C, probes 6 mm.	1,5-2 l/min	1,5-2 l/min	1,5-2 l/min
Total suction capacity	43-45 l	85-90 l	85-90 l
Suction and draining hose	2 m	2 m	2 m
Max. discharge pressure	0,5 bar	0,5 bar	0,5 bar



## art. 0E46115

Pantograph waste oil **suction/drain**er for motor vehicles equipped with wheel mounted **115 litre tank**.

N° 4 pack.  $m^3$  0,420 kg 50,8



## art. 0E46215

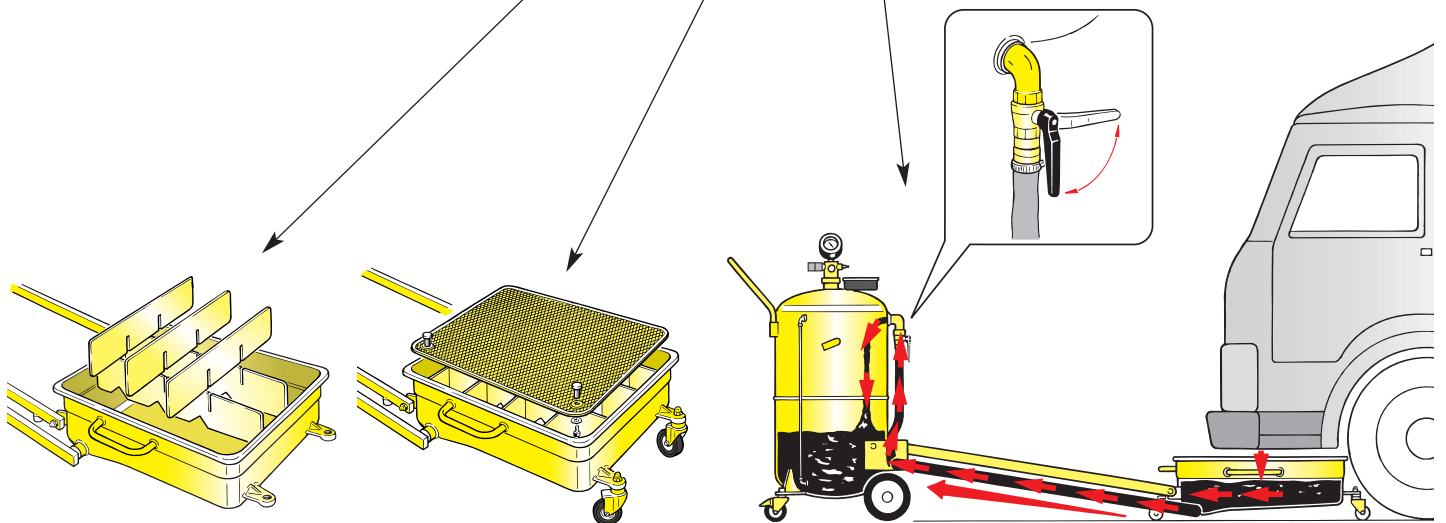
Pantograph waste oil **suction/drain**er for trucks equipped with wheel mounted **115 litre tank**.

N° 4 pack.  $m^3$  0,520 kg 68,7



For the right depressurization, the air pressure must necessarily be between 6.5 and 7 bar.





tank with antisplash

protection filter screen, antisplash and support base for filters

To empty the tank with equipment already depressurized, open the tank connection cock and the oil will drain into the tank in a few seconds.

## Standard series

**art. 0E45560**  
 \* Standard series  
 of probes supplied  
 with all waste oil  
 suction drainers  
 composed by:



art. 0E45500



art. 0E45501



art. 0E45502

**art. 0E45500**  
 Connector for  
 incorporated  
 probe **Volkswagen**.

**art. 0E45501**  
 Connector for  
 incorporated  
 probe **BMW**.

**art. 0E45502**  
 Connector for  
 incorporated  
 probe **Citroën**.

**art. 0E45504**  
 Flexible probe  
 L. 700 x  $\varnothing$  5 mm.

**art. 0E45505**  
 Metal probe  
 L. 700 x  $\varnothing$  5 mm.

**art. 0E45506**  
 Flexible probe  
 L. 700 x  $\varnothing$  6 mm.

**art. 0E45516**  
 Metal probe  
 L. 700 x  $\varnothing$  6 mm.

**art. 0E45517**  
 Flexible probe  
 L. 1000 x  $\varnothing$  7 mm.

**art. 0E45518**  
 Flexible probe  
 L. 700 x  $\varnothing$  8 mm.



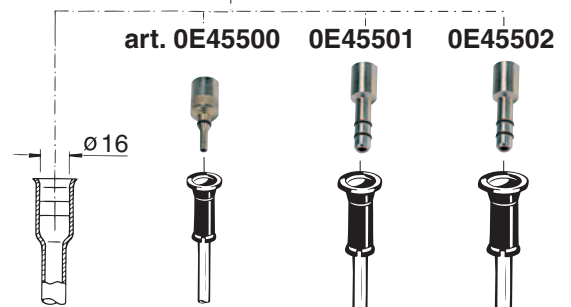
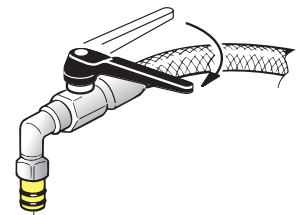
## Supplied on request

**art. 0E45540**  
 Flexible probe  
 $\varnothing$  12 mm -  
 length 700 mm.

**art. 0E45526**  
 Flexible probe  
 $\varnothing$  6 mm  
 length 1500 mm

**art. 0E45527**  
 Flexible probe  
 $\varnothing$  7 mm  
 length 1500 mm

**art. 0E45538**  
 Flexible probe  
 $\varnothing$  8 mm  
 length 1500 mm



Incorporated probe Mercedes    art. 0E45500    Incorporated probe VOLKSWAGEN    0E45501    Incorporated probe BMW    0E45502    Incorporated probe Citroën



**art. 0E45570**  
 Wall mounted  
 probe kit.

**\*N.B.** All the probes can be supplied also separately.



# WALL MOUNTED TRANSFER KIT



art. 0E33125

**art. 0E33125**  
Wall mounted kit  
for empty reservoirs  
composed by:  
pump (art. 0E33060),  
bracket (art. 0E33115),  
hose (art. 0E38026).

N° 1 pack.  
m<sup>3</sup> 0,029

kg 8,4



art. 0E33119

**art. 0E33119**  
Nipple 1" x 3/4 "M/M



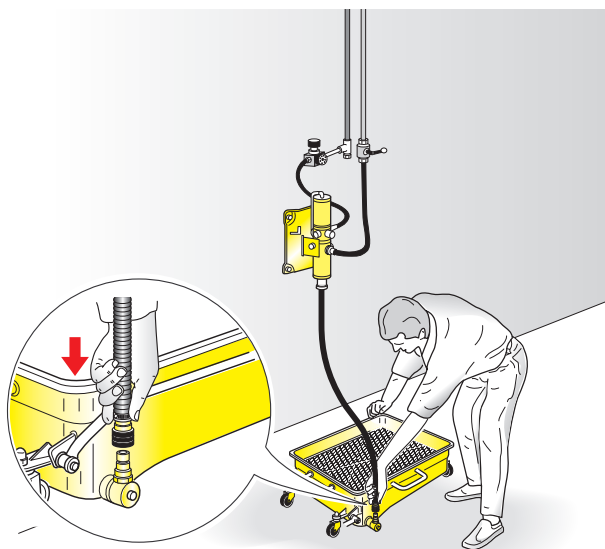
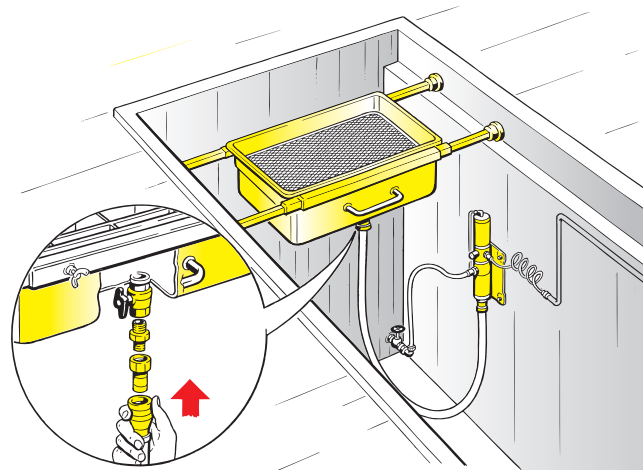
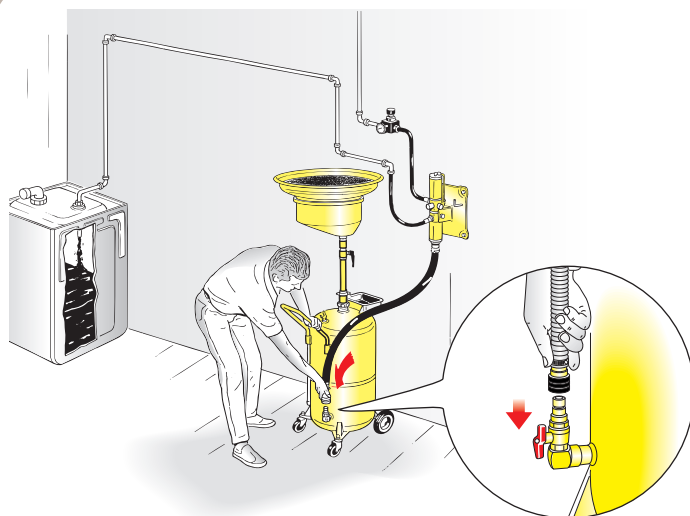
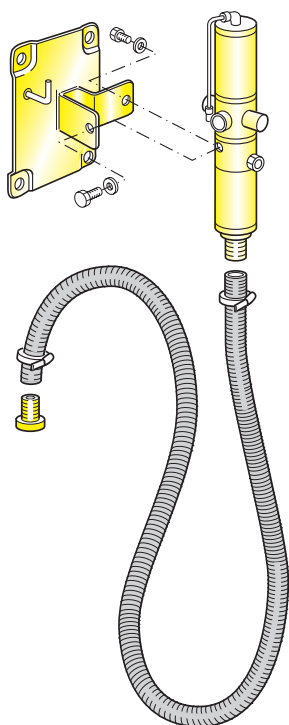
art. 0E33126

**art. 0E33126**  
Female quick  
connector 3/4" F



art. 0E33127

**art. 0E33127**  
Male quick  
connector 3/4" F



# GENERAL SALES CONDITIONS

## **Art. 1 : DELIVERY OF THE GOODS**

Goods are delivered only ex our works through the carrier indicated by the customer and travel under total buyers risk.

## **Art. 2 : DELIVERY TERMS**

The delivery times communicated could be modified, so that they are always approximate.

Possible delays in delivery or partial shipment do not give the customer any right to cancel the order or to claim ensuing damages.

ECODORA S.r.l. has the right not to execute the order and to execute it fully or partially, without any claims for damage being made towards the Company.

Urgent orders are subject to our acceptance.

## **Art. 3 : PACKS AND PACKAGING**

Packaging costs are already included in the price while special packing (pallets) will be debited at cost.

## **Art. 4 : COMPLAINTS**

Our Head Office have to be informed in writing within 8 days of receiving the goods about any complaint relative to shortages or errors.

Possible defect of the product noticed only by using it must be communicated in writing within 8 days from its discovering to our Head Office.

## **Art. 5 : PRICES**

Prices are ex our works.

ECODORA S.r.l. reserves the right to amend or modify prices even without prior notice according to the changes in market conditions or technical innovations or modifications made to the product.

In this case the goods will be invoiced at the price in force on the day of shipment.

## **Art. 6 : PAYMENTS**

Payments have to be made only to ECODORA Srl at the established conditions, without deductions or rounding off.

In case of late payment, we reserve the right to charge interest at the current rate and any additional costs incurred.

Discounts already calculated and subject to payment will be debited.

## **Art. 7 : WARRANTY**

All products are provided with the relative instructions manual containing indications about maintenance too.

ECODORA S.r.l. reserves the right to amend without notice any design or specification of the range of products included in the catalogue.

All technical information, illustrations or drawings are supplied for guidance only.

The warranty shall cover any defect due to material or manufacture procedure under the terms fixed by the law and in this case ECODORA S.r.l. will only charge Euro 15,00 as administrative cost.

The guarantee will lapse in case of incorrect installation, operation or maintenance of the products.

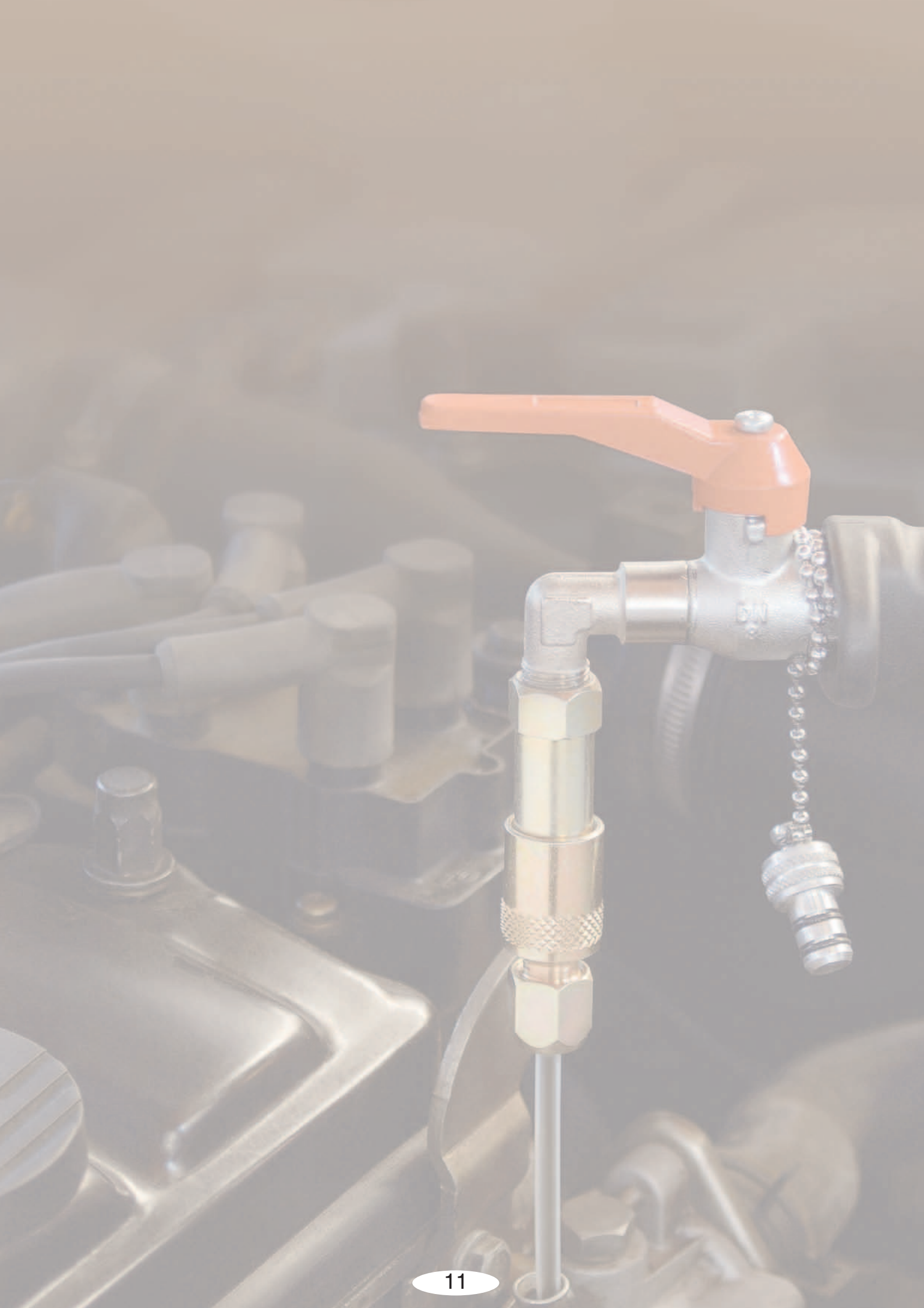
Items claimed to be faulty should be returned to our works, carriage paid, for examination.

## **Art. 8 : RESPONSABILITY**

ECODORA S.r.l. is not liable for any accident to persons and things which may take place due to or during use of the equipment, or caused by and depending on the same equipment.

## **Art. 9 : COMPETENT LAW COURT**

These conditions of sale shall be governed by and construed with Italian law, and any disputes shall be settled by the law-court of Bassano del Grappa (VI), Italy.





Authorized dealer



Via Nardi 124 36060  
ROMANO D'EZZELINO (VI) - ITALY  
Tel +39 0424 570891 Fax +39 0424 571354  
E-mail: [info@ecodora.com](mailto:info@ecodora.com)  
Internet: [www.ecodora.com](http://www.ecodora.com)