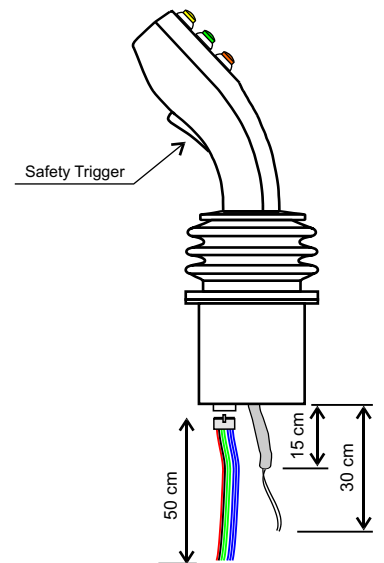
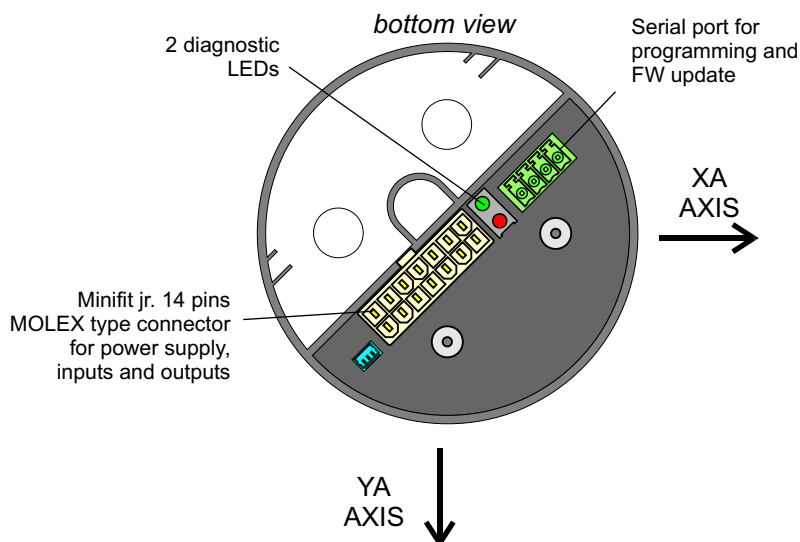


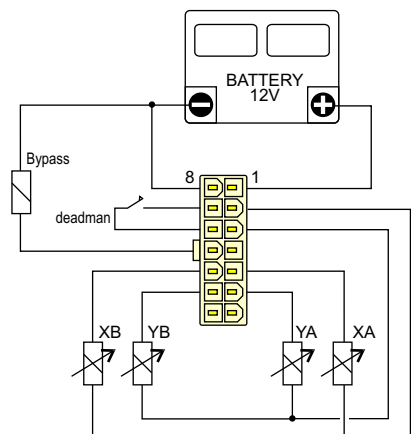
NOTE: to enable deadman input, connect red wire from handle to Fault output (orange cable) from pin no. 10 and connect black wire from handle to Deadman trigger input (yellow cable) from pin no. 9; to disable deadman input, short circuit Fault output cable with Deadman trigger input cable, and use handle deadman button as a normal push button



Dual axis joystick
(type 065)



Connections example



Main features:

- Outputs range: 900 ÷ 1800 mA (for NVD2 12V)
- PWM frequency: 60 Hz
- Outputs curves: linear
- IN1 as deadman trigger

FABER - COM	CODICE: PJP-065-215-004
DESCRIZIONE: Manipolatore a 3 assi JP, 900 ÷ 1800 mA con roller	
FILE: ...ProdottiManipolatori\Mdb - JP\Versioni\PJP-065-215-004.cdr	
DATA: 30/06/14	FOGLIO 1 DI 1