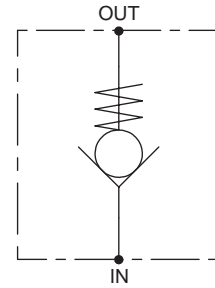
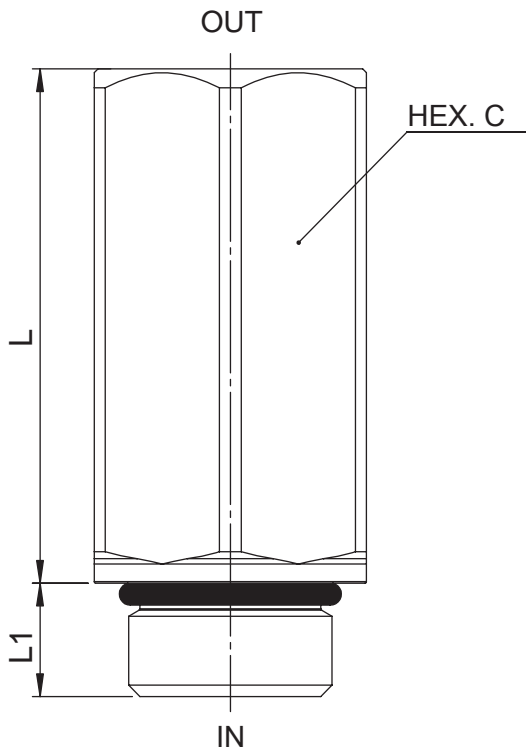


SLEEVE TYPE CHECK VALVES



311

Ports IN-OUT	Max flow	Max pressure	C	L1	L	Weight
	Bar	Bar	mm	mm	mm	Kg
G 1/2"	45	320	27	14	64	0,22
G 3/4"	85	300	36	16	72	0,45
G 1"	140	250	46	18	94	0,97
G 1-1/4"	200	250	55	20	125	1,68

Ordering code

6 D 7 1 0       0 0 0 0

PORTS	
04	G 1/2"
05	G 3/4"
06	G 1"
07	G 1-1/4"

SPRING	
C	7.8 bar

