



In line single-acting flow control valves

FT 2253/5-01

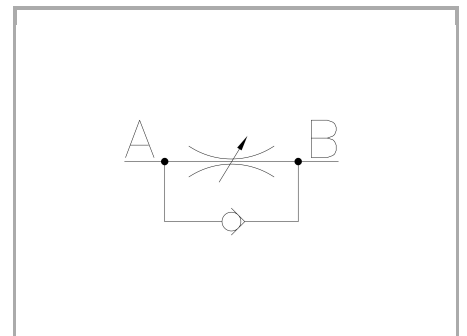
Single-acting flow control valves available from 1/8" to 3/4" BSPP size, max. working pressure 350 Bar, adjustable oil flow rate from 1 to 80 Lt/min (depending on the size).

Single-acting control

In line or panel mounting

Stainless Steel AISI 316

Attacchi: F - F Female - Female



Technical information

Technical description

The valves FT 2253/5-01 are manufactured by the moulding of series FT 2251/2 and they allow precise flow regulation in one direction and full free flow in opposite direction thanks to the needle with incorporated ball they are equipped with. They are a valid alternative to FT 2257/5 for applications where the working pressure does not exceed 350 bar. They can be used also with fluids different from oil, such as: air, gas and liquids in general. They have the same characteristics as the FT 2257 series: • efficient metallic sealing; • flow linearity at the opening; • simple setting of flow rates; • secure against accidental needle lift-out; • secure needle position; • panel mounting provision, for which the correct locking nuts are supplied (only on request).

Materials

CORPO VALVOLA / BODY VALVE	Acciaio INOX / Stainless Steel AISI 316
SPILLO DI REGOLAZIONE / ADJUSTING NEEDLE	Acciaio/Steel X 10 Cr Ni S 1809-UNI EN 10088-1
GUARNIZIONI / GASKETS	FPM
ANELLI ANTIESTRUSIONE / ANTIEXTRUSION RINGS	PTFE
MANOPOLA TIPO MA - RA / KNOB TYPE MA - RA	GD AISi12 - UNI EN AB 46100
MANOPOLA TIPO MP / KNOB TYPE MP	ABS

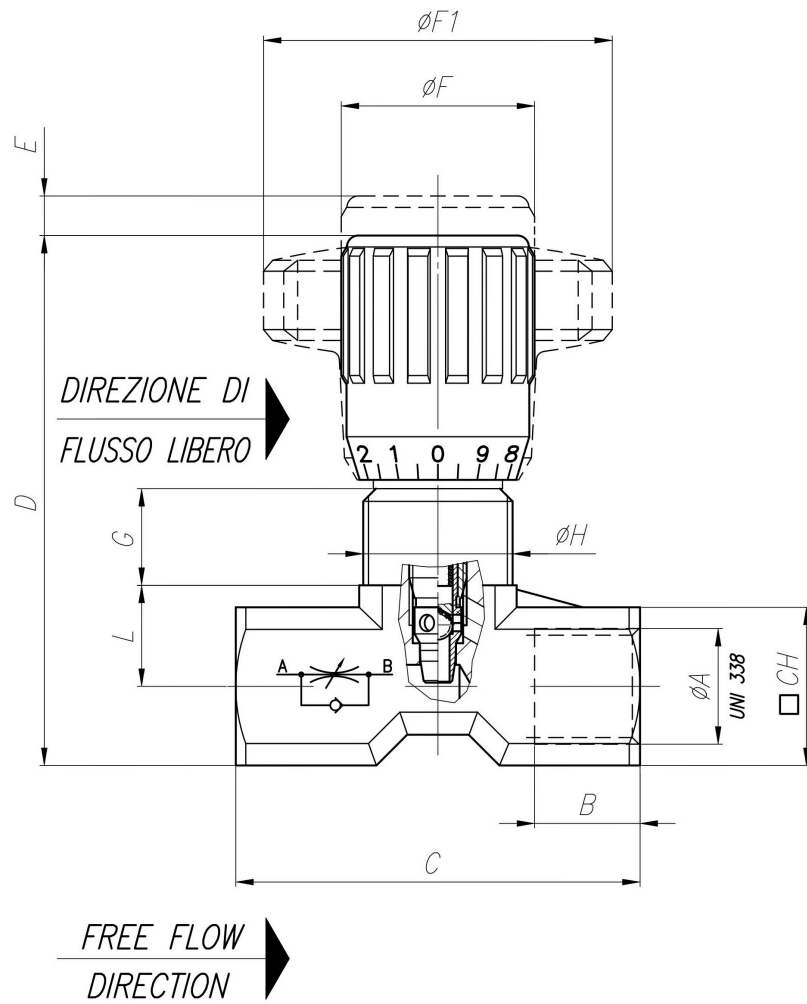


Technical data

TIPO / TYPE	PRESSIONE ESERCIZIO BAR / WORKING PRESSURE BAR	TEMPERATURA ESERCIZIO / WORKING TEMPERATURE	GRADO DI FILTRAZIONE μm / FILTRATION GRADE μm
18	350	-20°C/+130°C	25
14	350	-20°C/+130°C	25
38	350	-20°C/+130°C	25
12	350	-20°C/+130°C	25
34	350	-20°C/+130°C	25

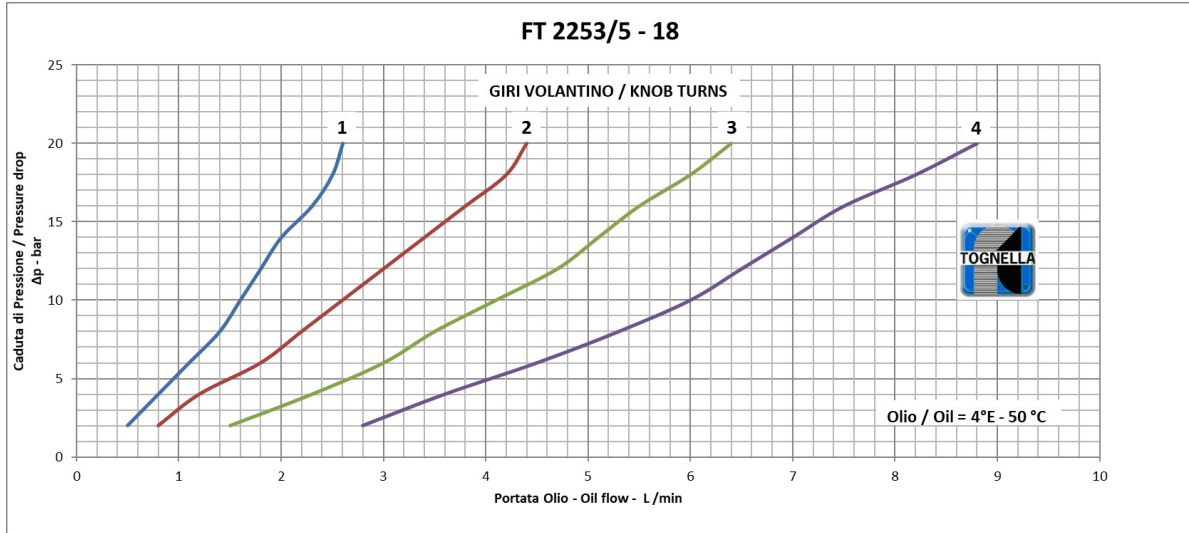
Dimensional tables and drawings

TIPO / TYPE	A UNI 338	B	C	D	E	$\varnothing\text{F}$	$\varnothing\text{F1}$	G	H	L	CH	PESO / WEIGHT KG
18	1/8" G	8	40	55	4	22	40	12	M15x1	9,5	15	0,105
14	1/4" G	12	46	57,5	4,5	22	40	11,5	M17x1	11,5	18	0,135
38	3/8" G	13	55	69	7	27	50	12,5	M20x1	15	22	0,250
12	1/2" G	16	70	82	10	33	70	13	M25x1,5	19	27	0,460
34	3/4" G	20	91	100	12	38	80	15	M30x1,5	22	34	0,860





Flow rate curves



Q

