

GS Series

Medium Pressure Filters
Max. 350 l/min. - 40 bar



In-line peace of mind

Three different housing sizes and several media options allow a wide range of applications. Cast iron housings are operable up to 40 bars. Pre-filtration with magnets is available as well as several connection options.



Contact Information:

Parker Hannifin
Hydraulic Filter Division Europe

European Product Information Centre
Freephone: 00800 27 27 5374
(from AT, BE, CH, CZ, DE, EE, ES, FI, FR, IE, IT, PT, SE, SK, UK)
filtrationinfo@parker.com

www.parker.com/hfde



Typical application examples. At the top of each product section, a 'typical application' photo example has been included.

Applications:

- Industrial gear boxes
- Heavy fuel oil filter for diesel engines
- Suction filter for fuel systems
- Medium pressure hydraulic filter

Providing heavy duty filtration solutions

Parker can provide correct filtration solutions for a multitude of fuel, gas, hydraulic oil and lubrication systems. A wide selection of low and medium pressure multi-purpose filters that offer several different filter elements – environmentally sound choices too – allowing highly customized solutions. Duplex filters and the ability to bank multiple filters together enables continuous filtration during element changes. Parker's heavy duty solutions for clean fluids and peace of mind.

Specification

Assembly:

In-line filter

Maximum operating pressure:

40 bar. For DN80 flanges 16 bar.

Nominal flow rate (30cSt):

350 l/min (21 m³/h)

Connections:

Threads G1 for GSN3 and G1½ for GS6 and GS7. GS7 is available also with flanges DN80/PN16.

Seal material:

Fluoroelastomer or optionally nitrile

Operating temperature:

-40°C...+100°C with Nitrile seals, -20°C...+120°C with Fluoroelastomer seals, -20°C...+160°C with metal mesh elements and Fluoroelastomer seals.

Housing material:

Cast iron

Weight:

See dimensions table

Magnet pack:

Available as option

Bypass valve:

Standard opening pressure 1.6 bar, optionally with blocked bypass

Indicator options:

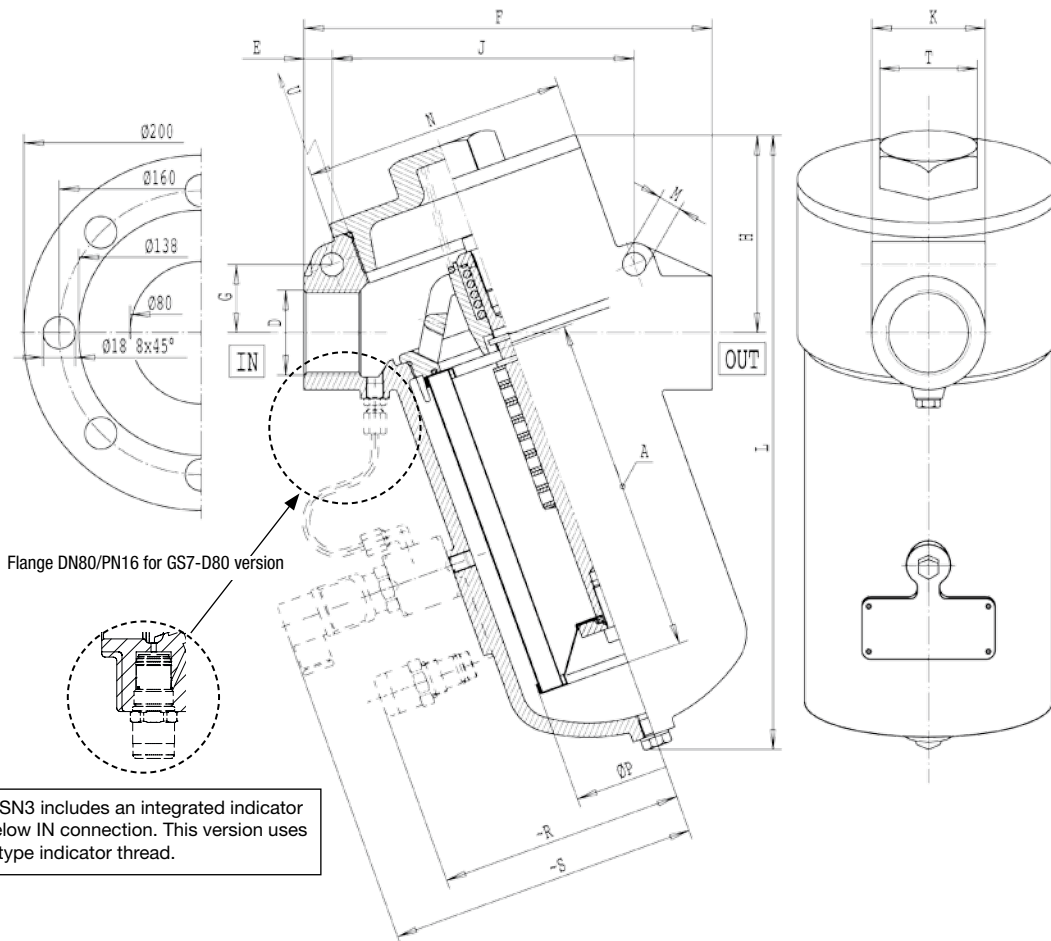
Visual, electrical or electronic indicator requires an indicator block. For details see indicator options table on product description page and catalogue section 4.

Filtration materials:

- Glassfibre Microglass III
- Cleanable metal mesh

Fluid compatibility:

Suitable for use with regular hydraulic and lubrication oils and fuel oils. For other fluids consult Parker Filtration.



Type	Weight	A	D	F	G	H	J	K	L	M	N	P	R	S	T	U
GSN3	5.5 kg	150	G1	170	27	83	125	45	280	11	108	71	118	159	32	200
GS6	12 kg	190	G1½	230	38	112	170	64	350	13	148	106	139	180	55	210
GS7	15 kg	260	G1½	230	38	112	170	64	420	13	148	106	139	180	55	240
GS7-D80	24 kg	260	80	310	-	112	-	200	420	-	148	106	139	180	55	240

GS Series

Pressure Drop Curves

$$\Delta p_{\text{total}} = \Delta p_{\text{housing}} + \Delta p_{\text{element}}$$

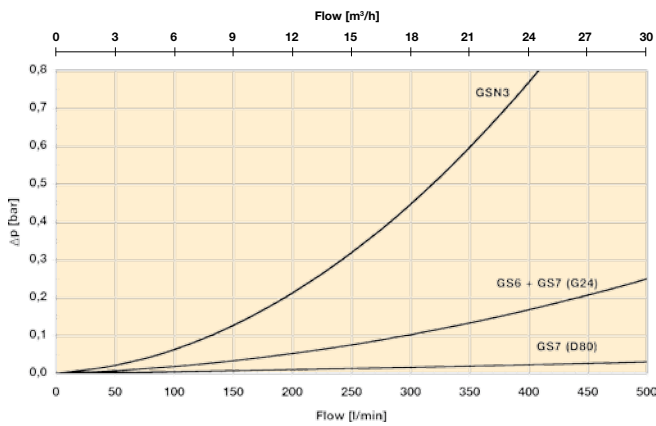
The recommended level of the initial pressure drop for this filter is maximum 0.5 bar.

Δp -curves are measured at 30 cSt.

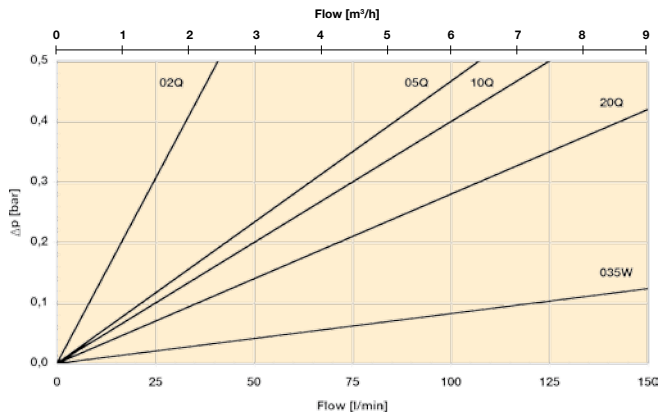
If the medium used has a viscosity different from 30 cSt, pressure drop over the element can be estimated as follows:

$$\Delta p_{\text{total}} = \Delta p_{\text{housing}} + \Delta p_{\text{element}} \times \frac{\text{working viscosity}}{30 \text{ cSt}}$$

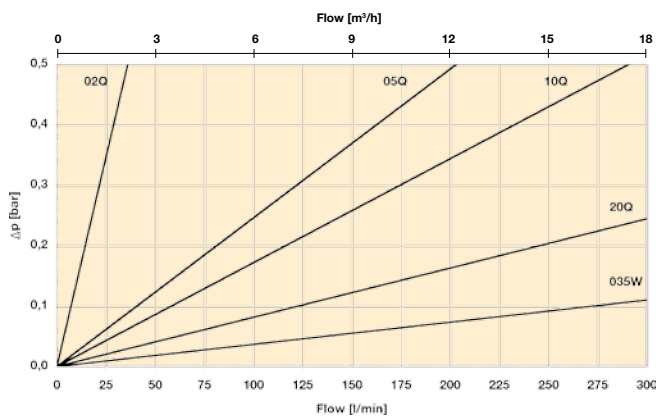
GS Series housings



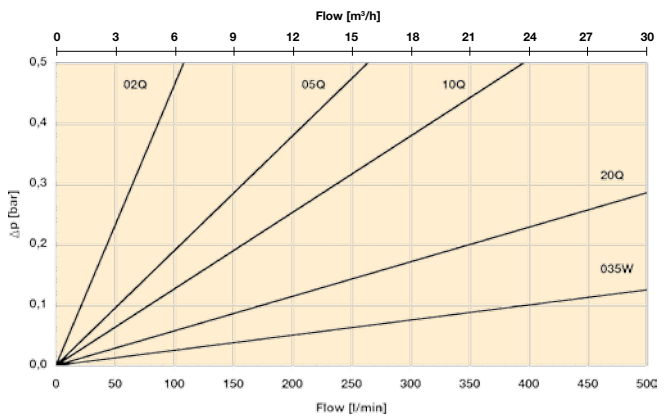
Elements for GSN3



Elements for GS6



Elements for GS7



REPLACEMENT ELEMENTS (with Fluoroelastomer or Nitrile seal)

Media code	Order code for GSN3	Order code for GS6		Order code for GS7	
Glassfibre	Standard (no seal)	Fluoroelastomer	Nitrile	Fluoroelastomer	Nitrile
02Q	937973Q	938208Q	937747Q	938209Q	937746Q
05Q	937974Q	938361Q	937758Q	938364Q	937759Q
10Q	937952Q	938362Q	937783Q	938075Q	937782Q
20Q	937953Q	938363Q	937794Q	938005Q	937795Q
Cleanable metal mesh					
035W	939180	939182	NA	939184	NA
060W	939181	939183	NA	939185	NA

Product Description for GS Complete Filter:

Table 1

--

Table 2

--

Table 3

--

Table 4

--

Table 5

--

Table 6

--

Table 7

--

Table 8

--

Table 1

FILTER TYPE	
Model	CODE
Medium pressure filter, cast iron	GS

Table 2

FILTER SIZE	
Housing size - element length	CODE
1-90 (former 1087)	N3
2-170 (former 1088)	6
2-230 (former 1089)	7

Table 3

DEGREE OF FILTRATION	
Element type	CODE
Microglass III	
Glassfibre 2 µm	02Q
Glassfibre 5 µm	05Q
Glassfibre 10 µm	10Q
Glassfibre 20 µm	20Q
Other medias	
Cleanable metal mesh 35 µm	035W
Cleanable metal mesh 60 µm	060W

Table 4

SEAL TYPE	
Seal material	CODE
Nitrile	B
Fluoroelastomer	V

Table 5

INDICATORS	
Options	CODE
No indicator block	N
Indicator port plugged	P
Visual indicator	M3
Electrical indicator	T1
Electronic indicator (PNP/N.O.)	F1
Electronic indicator (NPN/N.O.)	F2

Table 6

BYPASS VALVE	
Bypass/indicator setting	CODE
1.6 bar/1.0 bar	F
No/No	X

Table 7

FILTER CONNECTIONS	
Port size	CODE
G1 (length N3)	G16
G1½ (length 6 and 7)	G24
Flange DN80 (length 7)	D80

Table 8

OPTIONS	
Options	CODE
With bypass and magnets	1
No bypass, with magnets	2
With bypass, no magnets	5
No bypass, no magnets	6
Safety guard, no bypass, no magnets	7

SPARE PARTS		
Seal kit	CODE	
Seal material	GSN3	GS6-7
Fluoroelastomer	918045044	918045038
Nitrile	918045034	918045023

Please note the bolded options reflect standard options with reduced lead-time.