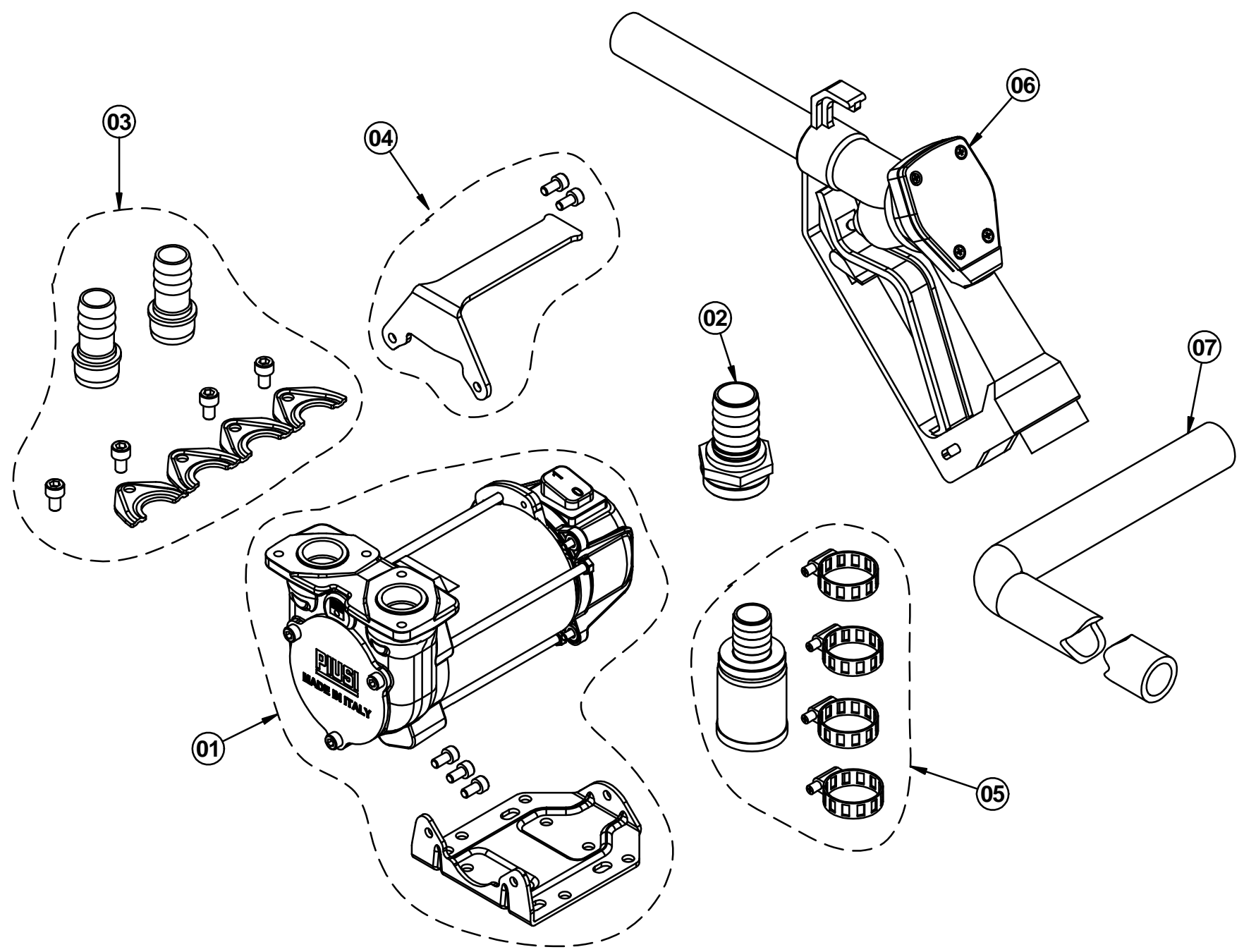


PIUSI

BATTERY KIT 3000 12-24V LR_P00052





PIUSI S.p.A.
Via Pacinotti Z.I. Rangavino
46029 SUZZARA (Mantova) Italy
Tel. +39-0376.534561
Fax. +39-0376.536393
e-mail: piusi@piusi.com




Cap.S
 C.F./P
 Iscriz
 Mecca
 R.E.A
 V.A.T.

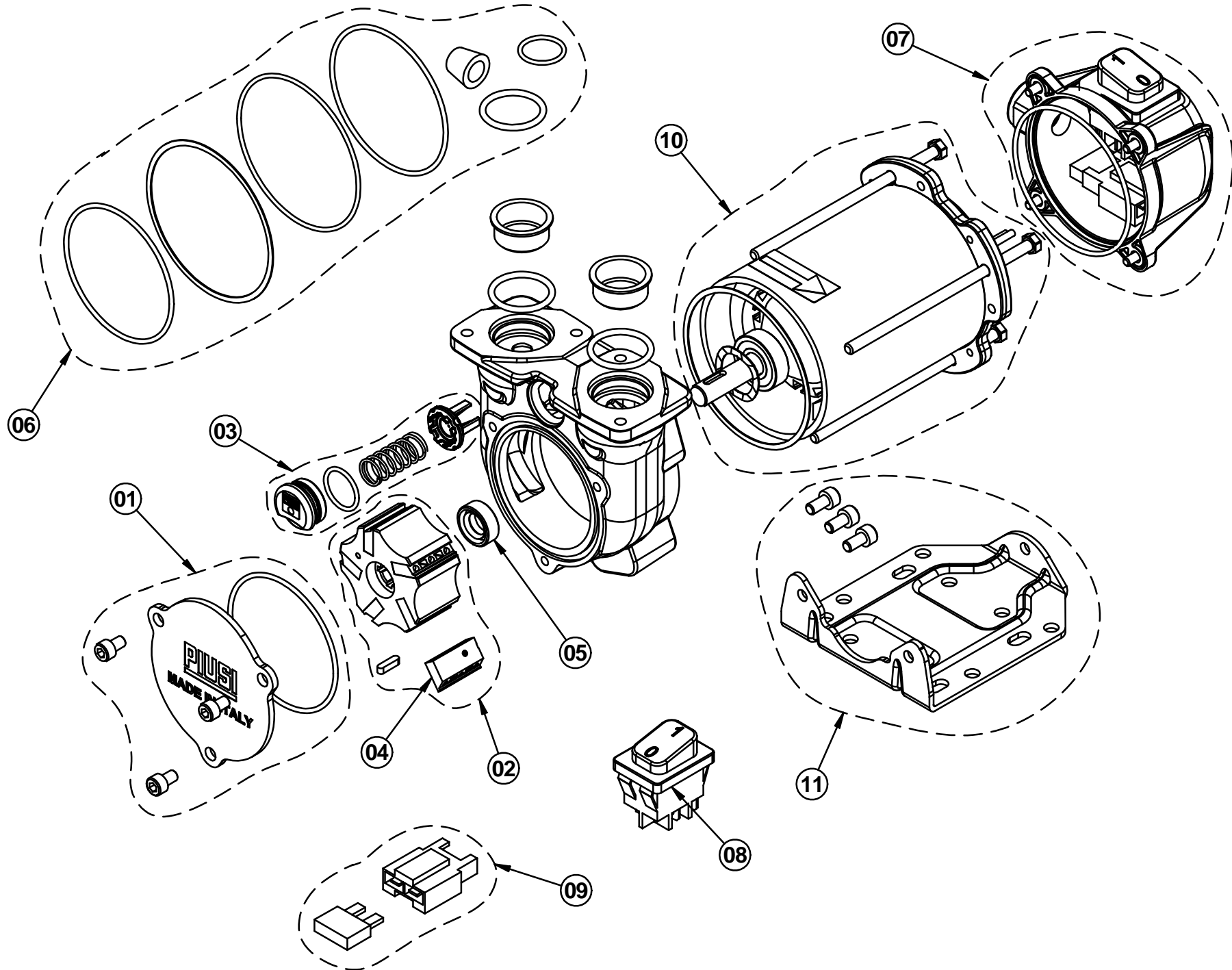
www.piusi.com
 CERTIFIED
 UNI-EN ISO 9001

Spare Parts (04 March 2013)

Material Code Model
 Info Documents of Material
F0022600C **BATTERY KIT 3000/24V**
 **LR_P00052.pdf**

Spare Parts List cod. F0022600C BATTERY KIT 3000/24V
 Status : **Item in Production**

Pos.	Material Code	Description	QT	UM
		 Info Documents of Material		
0001	F00347000	BP3000 24V  LR_P00050.pdf	1	PC
0002	F0775700A	HOSETAIL 1in x 20 GAS + OR - 20pcs -	1	PC
0003	F16172000	LP 3/4 STRAIGHT HOSE TAIL KIT (2 pcs.)-N	1	PC
0004	R16175000	KIT HANDLE	1	PC
0005	R16086000	KIT FILTER WITH CLAMPS	1	PC
0006	F0064100A	SELF 2000 1"BSP NOZZLE  LR_N00004.pdf	1	PC
0007	R15578000	KIT RUBBER HOSE CARBO/LN 19x27 4mt	1	PC







PIUSI S.p.A.
 Via Pacinotti Z.I. Rangavino
 46029 SUZZARA (Mantova) Italy
 Tel. +39-0376.534561
 Fax. +39-0376.536393
 e-mail: piusi@piusi.com


Cap.S
 C.F./I
 Iscriz
 Mecc
 R.E.A
 V.A.T

www.piusi.com
 CERTIFIED
 UNI-EN ISO 9001

Spare Parts (04 March 2013)

Material Code Model
  Info Documents of Material
F00347000 **BP3000 24V**
  **LR_P00050.pdf**

Spare Parts List cod. F00347000 BP3000 24V
 Status : **Item in Production**

Pos.	Material Code	Description	QT	UM
		 Info Documents of Material		
0001	R1608500A	CHAMBER COVER KIT BP 3000	1	PC
0002	R14347000	KIT ROTOR wVANES w/KEY BP3000	1	PC
0003	R16090000	KIT BY-PASS	1	PC
0004	R11287000	KIT n.10 Blades 13.72x5.8x25	1	PC
0005	R16075000	SHAFT SEAL BP3000	1	PC
0006	R16716000	KIT OR BP3000	1	PC
0007	F1601100A	ELECTRICAL BOX WITH SWITCH	1	PC
0008	R16657000	BIPOLAR SWITCH 16A 250V	1	PC
0009	R09219000	24V FUSE, KIT	1	PC
0010	R16054000	KIT MOTOR BP3000 24V with SUPPORTS	1	PC
0011	R16174000	KIT PUMP SUPPORT BP3000	1	PC