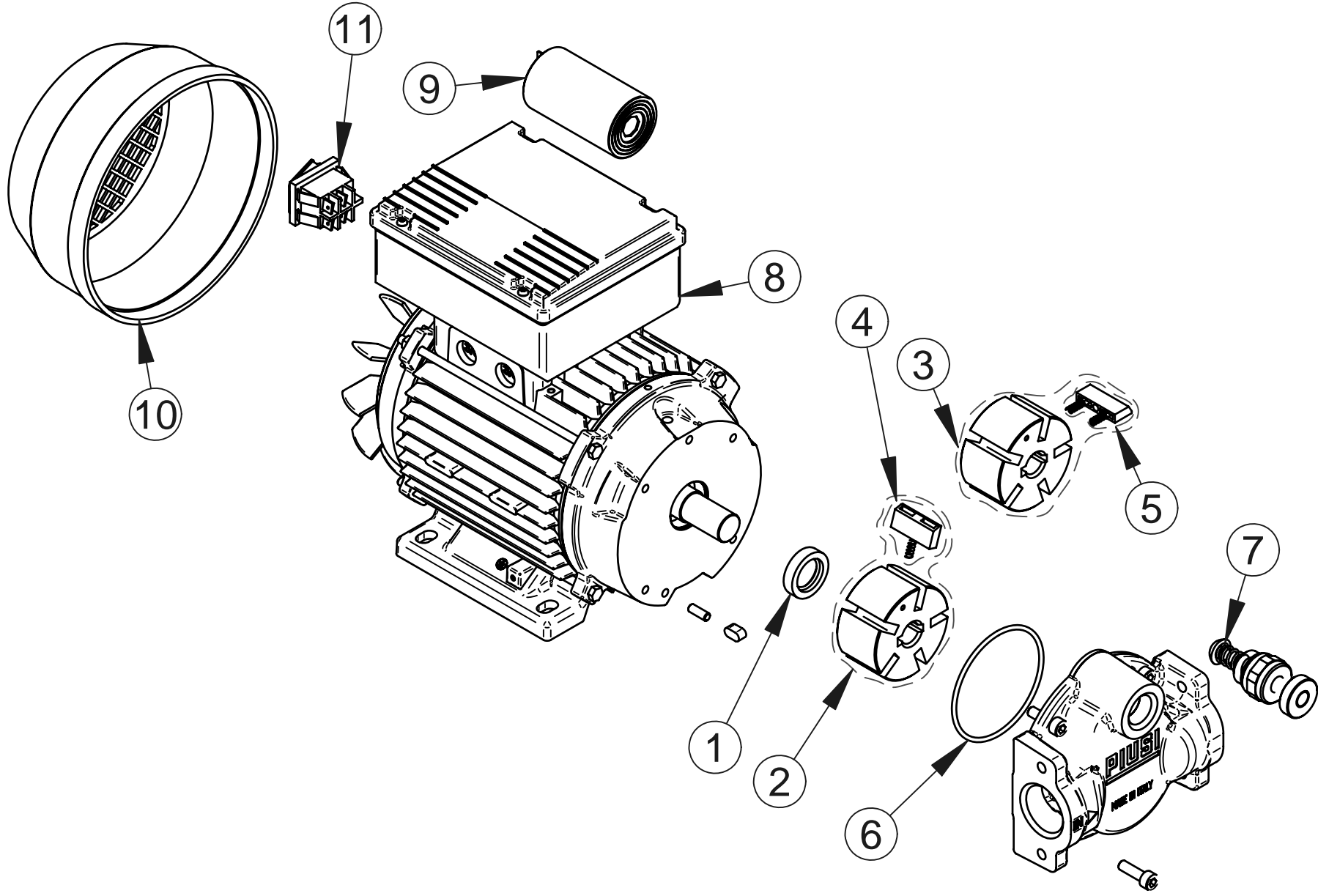


LR\_P00025

VISCOMAT 70 / 90

**PIUSI**<sup>®</sup>

*think genius*





**PIUSI S.p.A.**  
Via Pacinotti Z.I. Rangavino  
46029 SUZZARA (Mantova) Italy  
Tel. +39-0376.534561  
Fax. +39-0376.536393  
e-mail: piusi@piusi.com

Cap.S  
C.F./I  
Iscriz  
Mecc  
R.E.A  
V.A.T

www.piusi.com  
CERTIFIED  
UNI-EN ISO 9001

## Spare Parts (04 March 2013)

Material Code

Model



Info Documents of Material


**F0033190A**

**OIL VISCOMAT 70 T 400V / 50-60 HZ**



**LR\_P00025.pdf**

Spare Parts List cod. F0033190A OIL VISCOMAT 70 T 400V / 50-60 HZ  
Status : **Item in Production**

Pos.	Material Code	Description	QT	UM
		 <b>Info Documents of Material</b>		
0001	R08772000	KIT SEAL BABSL 20/30/7 IN VITON	1	PC
0002	R13924000	KIT SPRING + VANES + ROTOR VISCOMAT 70	1	PC
0004	R13926000	KIT SPRING + VANES VISCOMAT 70	1	PC
0006	R06710000	KIT SEAL ORING 3275	1	PC
0007	R0828300A	KIT ADJUSTING VALVE VISC. 70/90	1	PC
0008	R0818800A	KIT TERMINAL BOX 1HP 400V \ 50HZ	1	PC
0010	R08182000	KIT FAN COVER MOTOR MEC 80	1	PC