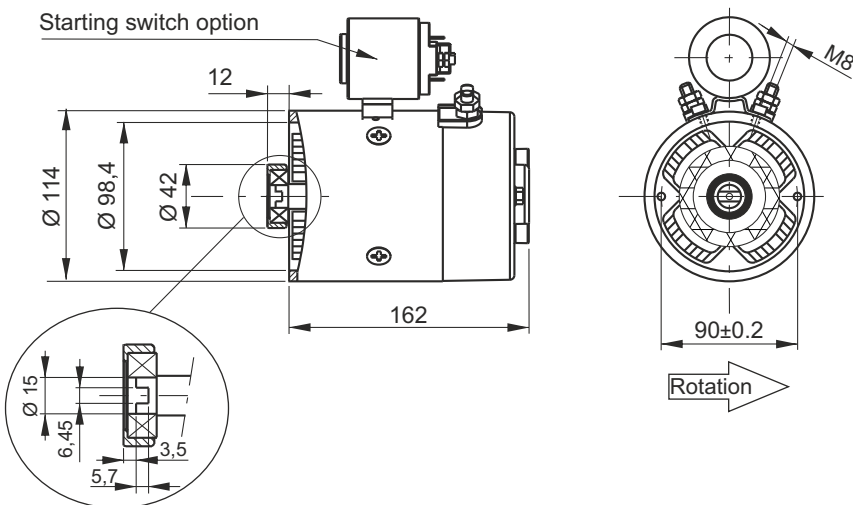


## INTEGRAL DC MOTORS Ø114



Series wound  
 Protection degree: IP54  
 Insulation class: F  
 Weight: 7,05 kg (without starter)



### Code

| Description                       | Assembly code     | Spare part code  | Nominal duty cycle        | Nominal speed | Nominal current |
|-----------------------------------|-------------------|------------------|---------------------------|---------------|-----------------|
| 1600W 12V DC + thermal protection | <b>1,6 12DC_T</b> | <b>M46C1ST16</b> | S2: 3 min<br>S3: 10% ED   | 2800 rpm      | 210 A           |
| 2100W 12V DC + thermal protection | <b>2,1 12DC_T</b> | <b>M46C1ST21</b> | S2: 2,5 min<br>S3: 10% ED | 2400 rpm      | 300 A           |
| 2200W 24V DC + thermal protection | <b>2,2 24DC_T</b> | <b>M46C2ST22</b> | S2: 3,5 min<br>S3: 15% ED | 2400 rpm      | 130 A           |

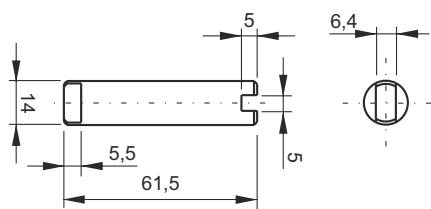
### Options & couplings

| Description  | Assembly code                | Spare part                   |
|--|------------------------------|------------------------------|
| 12V DC 150 Amp start switch + mounting kit           | <b>S150 12DC 112</b>         | <b>M47SC0001 + M47SK1121</b> |
| 24V DC 150 Amp start switch + mounting kit           | <b>S150 24DC 112</b>         | <b>M47SC0002 + M47SK1121</b> |
| Protezione in plastica per motori DC                 | <b>MC</b>                    | <b>F16000001</b>             |
| Modular kit for forced fan                           | <b>FP</b>                    | <b>M46FP1125</b>             |
| Coupling for Ø114 motors and gr.0 pump               | <b>E36200005</b>             |                              |
| Coupling for Ø114 motors-Ø125DC motors and gr.1 pump | <b>E36200001</b>             |                              |
| Remote wired control with 2 buttons and 3m cable     | <b>P0201</b> (single acting) |                              |
| Remote wired control with 4 buttons and 3m cable     | <b>P0202</b> (double acting) |                              |

Notes: the starting switch mounting kit is provided when specifying the /S150 as motor option in PPC assembly code. When ordering spare starting switches, it must be ordered separately (code: M47SK1121).

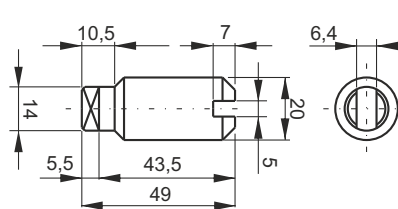
The coupling is already included when specifying the motor in PPC assembly code. It is to be indicated only when ordering PPC with no motor but with coupling.

**Coupling E36200005**



Weight: 0,068 kg

**Coupling E36200001**



Weight: 0,094 kg

\*If there is mounted the modular kit forced fan the protection degree become IP20.