

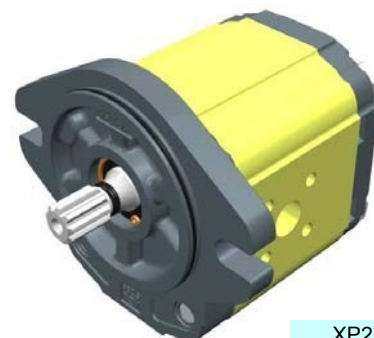
unidirectional pump - series XV

XV-2P

"SAE A" TYPE PUMP
 ø82.5 FLANGE - SPLINED SHAFT

X 2 P 51 52 F S R A

Series	X	series XV
Group	2	group 2
Category	P	unidirectional pump
Displacement	51	17
Flange	52	Ø82.5 SAE A right rotation (with OR)
Shaft	F	CO001 – Tapered 1:8 – Ø17.4 – M12x1.5 – key thk.4
Body	IN	inlet - Ø40 a 45° Ø20 M6
	OUT	outlet - Ø35 a 45° Ø15 M6
Cover	A	standard



XP219

Technical data table

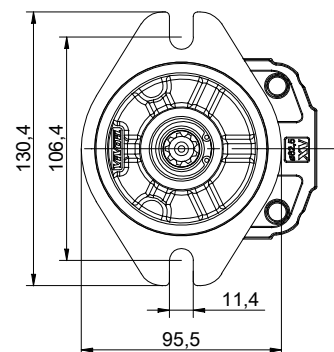
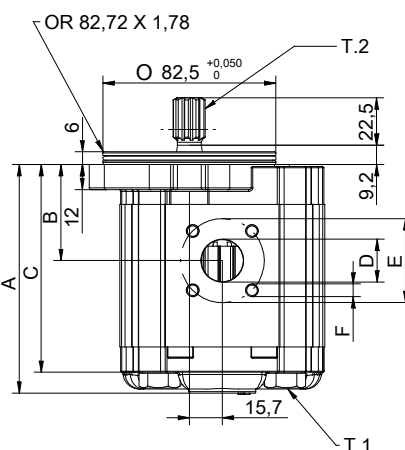
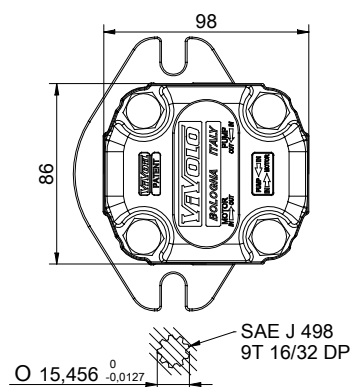
TYPE	Displacement cm3/rev	Max. Pressure		CODE				CODE													
		P1 bar	P3 bar	Left rotation				Right rotation													
XV-2P/04	4,20	260	300	X	2	P	41	51	I	S	R	A	X	2	P	41	52	I	S	R	A
XV-2P/06	6,00	260	300	X	2	P	43	51	I	S	R	A	X	2	P	43	52	I	S	R	A
XV-2P/09	8,40	260	300	X	2	P	45	51	I	S	R	A	X	2	P	45	52	I	S	R	A
XV-2P/11	10,80	260	300	X	2	P	47	51	I	S	R	A	X	2	P	47	52	I	S	R	A
XV-2P/14	14,40	250	290	X	2	P	49	51	I	S	R	A	X	2	P	49	52	I	S	R	A
XV-2P/17	16,80	230	270	X	2	P	51	51	I	S	R	A	X	2	P	51	52	I	S	R	A
XV-2P/19	19,20	210	250	X	2	P	53	51	I	S	R	A	X	2	P	53	52	I	S	R	A
XV-2P/22	22,80	200	240	X	2	P	55	51	I	S	R	A	X	2	P	55	52	I	S	R	A
XV-2P/26	26,20	170	210	X	2	P	57	51	I	S	R	A	X	2	P	57	52	I	S	R	A
XV-2P/30	30,00	160	200	X	2	P	59	51	I	S	S	A	X	2	P	59	52	I	S	S	A
XV-2P/34	34,20	150	190	X	2	P	61	51	I	S	S	A	X	2	P	61	52	I	S	S	A
XV-2P/40	39,60	140	180	X	2	P	63	51	I	S	S	A	X	2	P	63	52	I	S	S	A

P1) Max. working pressure - P3) Max. peak pressure

For heavy-duty applications, it is recommended to check the admissible torque of the shaft

Dimensions table

TYPE	Weight kg	IN			OUT			DEF		
		A mm	B mm	C mm	D IN	E IN	F IN			
XV-2P/04	2,280	88,0	39,4	78,0	ø20	40	M6x1	ø15	35	M6x1
XV-2P/06	2,380	91,0	39,4	81,0	ø20	40	M6x2	ø15	35	M6x1
XV-2P/09	2,480	95,0	41,4	85,0	ø20	40	M6x3	ø15	35	M6x1
XV-2P/11	2,580	99,0	45,8	89,0	ø20	40	M6x4	ø15	35	M6x1
XV-2P/14	2,780	105,0	45,8	95,0	ø20	40	M6x5	ø15	35	M6x1
XV-2P/17	2,880	109,0	45,8	99,0	ø20	40	M6x6	ø15	35	M6x1
XV-2P/19	2,980	113,0	45,8	103,0	ø20	40	M6x7	ø15	35	M6x1
XV-2P/22	3,130	119,0	53,3	109,0	ø20	40	M6x8	ø15	35	M6x1
XV-2P/26	3,230	123,0	53,3	113,0	ø20	40	M6x9	ø15	35	M6x1
XV-2P/30	3,480	131,0	61,5	121,0	ø20	40	M6x10	ø20	40	M6x1
XV-2P/34	3,680	138,0	61,5	128,0	ø20	40	M6x11	ø20	40	M6x1
XV-2P/40	3,880	147,0	61,5	137,0	ø20	40	M6x12	ø20	40	M6x1



26/08/04 X2P5152ISRA.dft

T.1 = 54±58.9 [Nm] - screw tightening torque M10

T.2 = 67.1 [Nm] - admissible shaft torque (N.B. When choosing a shaft, always check the admissible torque).

Table of variations

XV-2P

ø82.5 FLANGE "SAE A"

Testo5: ø82.5 FLANGE "SAE A"		Shaft		Testo5: Cover	
Left rotation	Right rotation			Left rotation	Right rotation
		CI001 - Parallel T.2 = 44.1 [Nm]	CI002 - Parallel T.2 = 67.5 [Nm]		
		CO001 - Tapered T.2 = 233.2 [Nm]	CO002 - Tapered T.2 = 233.2 [Nm]		
Without OR	Without OR	SCF04 - Splined T.2 = 67.1 [Nm]			

Displacement		Standard bodies							
TYPE	CODE	Displacement cm3/rev	Standard threads						
XV-2P/04	41	4	O - O	S - R	B - B	L - M	Z - Z		
XV-2P/06	43	6	O - O	S - R	B - B	L - M	Z - Z		
XV-2P/09	45	9	O - O	S - R	B - B	L - M	Z - Z		
XV-2P/11	47	11	O - O	S - R	B - B	L - M	Z - Z		
XV-2P/14	49	14	P - O	S - R	C - B	L - M	Z - Z		
XV-2P/17	51	17	P - O	S - R	C - B	L - M	Z - Z		
XV-2P/19	53	19	P - O	S - R	C - B	L - M	Z - Z		
XV-2P/22	55	22	P - O	S - R	C - B	L - M	Z - Z		
XV-2P/26	57	26	Q - P	S - R	D - C	L - M	Z - Z		
XV-2P/30	59	30	Q - P	S - S	D - C	L - M	Z - Z		
XV-2P/34	61	34	Q - P	S - S	D - C	L - M	Z - Z		
XV-2P/40	63	40	Q - P	S - S	D - C	L - M	Z - Z		

Table showing standard flange and thread combinations available in stock

Body (threads/flanges)													
	A		B		C		D		E		F		G
	H		I		L		M		N		O		P
	Q		R		S		T		U		V	Closed Body	Z