



CE Made in Italy



HOSE REELS CATALOGUE
TECHNOLOGY FOR FLUIDYNAMICS
No. E14/A3

The complete range of our products is presented in the specific catalogues:

- HOSE REELS CATALOGUE No. E14/A1
 - HOSE REELS CATALOGUE No. E14/A2
 - OIL CATALOGUE No. E14/L
 - GREASE CATALOGUE No. E14/G
 - DIAPHRAGM PUMPS CATALOGUE No. 2013/M
 - DIGITAL METER AND PULSER
 - FLUID CONTROL SYSTEM
-



HELP THE NATURE

Packaging contains, depending on the articles, one or more of the following materials; they must be recycled in accordance with current regulations in the country of use.

cardboard • polyethylene sack • polystyrene • paper • wood • nails
• plastic strap • cellophane • clips • gummed paper



OUR STRENGTHS

The widest range of hose reels designed to meet all the needs of our clients, even the most specific.

The quality, reliability and design that have always distinguished the Ecodora brand in the global market.

The research and development as a flagship of our company to always offer cutting-edge solutions.

A technical service before and after sales to recommend the most suitable product according to the customer's needs as well as to provide support to the end users.

OUR GOALS

To develop a long lasting cooperation with our customers by listening to their needs and their expectations.

To meet every user's need by offering only high quality products.



www.ecodora.com
info@ecodora.com

CE Made in Italy

Ecodora presents its wide range of hose reels for fluids

In this catalog we are glad to introduce our range of hose reel with manual rewinding or motor operated rewinding: hydraulic, pneumatic or electric motor. Spring rewinding hose reels are described in dedicated catalog (see page 2).

Sturdy and compact, **Ecodora** hose reels allow **to manage** any kind of flexible hoses in a practical and safest way for transferring every type of fluids.

When in use, hose reels allow **to unwind** quickly and easily only the desired length of hose. After use, the unwound hose can be **re-wound** immediately by keeping an orderly workplace free of hindrances, thus improving functionality and safety, and **safeguarding** hoses against wear and breakage too.



aviation



agriculture



building



foundries



armed forces



marine

Hose Reels Applications

Ecodora's hose reels are versatile and suitable to heavy duty applications like: heavy industry, agriculture, mining, shipyard, building construction, offshore platform and many others. They allow to transfer many different kind of fluids like: **air, water, oil, antifreeze, grease, fuel, waste oil, dirty water etc.**



mining



woodworking



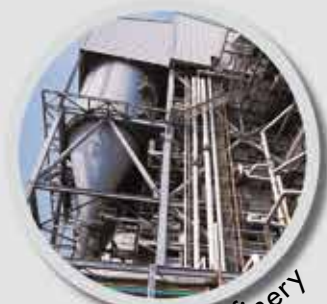
general industries



food industries



service stations



oil-refinery



HOSE REEL SERIES 500 MANUAL

from page **8 to 9**



HOSE REEL SERIES 600 HYDRAULIC AND PNEUMATIC

from page **10 to 13**



HOSE REEL SERIES 700 MANUAL

from page **16 to 17**



HOSE REEL SERIES 700 ELECTRIC 24V

from page **18 to 19**



HOSE REEL SERIES 700 ELECTRIC 230V

from page **20** to **21**



HOSE REEL SERIES 700 HYDRAULIC

from page **22** to **23**



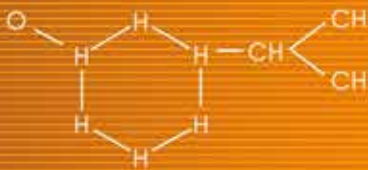
HOSE REEL SERIES 700 PNEUMATIC

from page **24** to **25**



ACCESSORIES

from page **26** to **28**



OTHERS FLUIDS - COMPATIBILITY TABLE

from page **29** to **37**

PAINTED STEEL

Series



500
manual



600
powered



700
manual



700
electric 24V



700
electric 230V



700
hydraulic



700
pneumatic



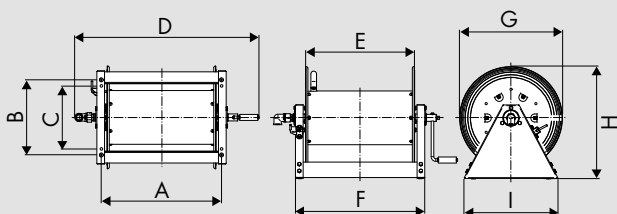
Manual rewinding hose reels are an easy and practical way to manage flexible hoses. Made with high quality materials with a robust frame, manual rewinding hose reels are an inexpensive alternative to spring rewinding hose reels particularly for very long hoses.

Fluid - Pressure Part in contact with the fluid	Width 270 mm	Width 410 mm	Width 550 mm	Width 690 mm	Connection	
					Inlet	Outlet
Air - Water 20 bar - "brass" swivel joint - "viton" seals - central shaft "galvanised steel"	OE7522001/100	OE7532001/100	OE7552001/100	OE7562001/100	F 1"G	F 1"G
	OE7522001/150	OE7532001/150	OE7552001/150	OE7562001/150	F 1/2"G	F 1/2"G
Water max 130°C 100 bar - "s. steel AISI 304" swivel joint - "viton" seals - central shaft "galvanised steel"	OE7522001/200	OE7532001/200	OE7552001/200	OE7562001/200	F 1"G	F 1"G
	OE7522001/250	OE7532001/250	OE7552001/250	OE7562001/250	F 1/2"G	F 1/2"G
Water max 130°C 200 bar - "s. steel AISI 304" swivel joint - "viton" seals - central shaft "galvanised steel"	OE7522001/300	OE7532001/300	OE7552001/300	OE7562001/300	F 3/8"G	F 1/2"G
	OE7522001/400	OE7532001/400	OE7552001/400	OE7562001/400	F 1"G	F 1"G
Oil and similar 150 bar - "galvanised steel" swivel joint - "PU" seals - central shaft "galvanised steel"	OE7522001/450	OE7532001/450	OE7552001/450	OE7562001/450	F 1/2"G	F 1/2"G
	OE7522001/100	OE7532001/100	OE7552001/100	OE7562001/100	F 1"G	F 1"G

Hose length and diameter

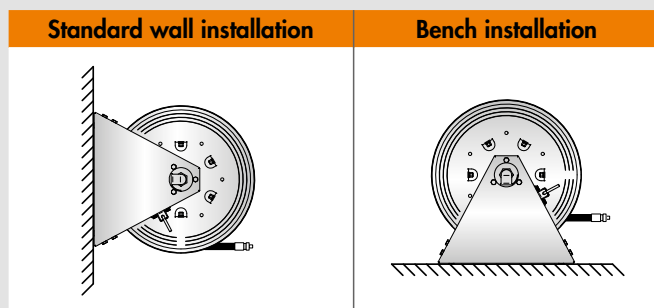
Hose diameter	L240	L320	L460	L600
ø 3/8"	length max. 50 m	length max. 80 m	length max. 120 m	length max. 160 m
ø 1/2"	length max. 40 m	length max. 70 m	length max. 105 m	length max. 140 m
ø 3/4"	length max. 25 m	length max. 40 m	length max. 60 m	length max. 80 m
ø 1"	length max. 20 m	length max. 30 m	length max. 45 m	length max. 60 m

Overall dimensions (mm)

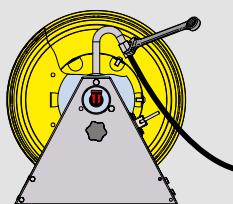


Width	A	B	C	D	E	F	G	H	I	1-m ³	Kg
L240	297	373	313	631	242	342	510	555	468	0,208	25,2
L320	377	373	313	711	322	422	510	555	468	0,243	26,8
L460	517	373	313	851	462	562	510	555	468	0,304	29,3
L600	657	373	313	991	602	702	510	555	468	0,365	31,9

Hose reel installation



Hose reel outlet hose connection



Series	Inlet	Outlet
500 connection 1/2"	F 1/2" F 3/8"	F 1/2"
500 connection 1"	F 1"	F 1"

Technical characteristics

Self-aligning bearings to reduce friction with central shaft facilitating the rotation of the spool.

Hand lever for hose manual rewinding.

The **clutch POM** is indispensable for regulating the hose unwinding speed and preventing the drum from turning empty due to inertia.

The **hose guide roller** reduce friction and facilitate hose unwinding and rewinding.

Knob for clutch regulation.

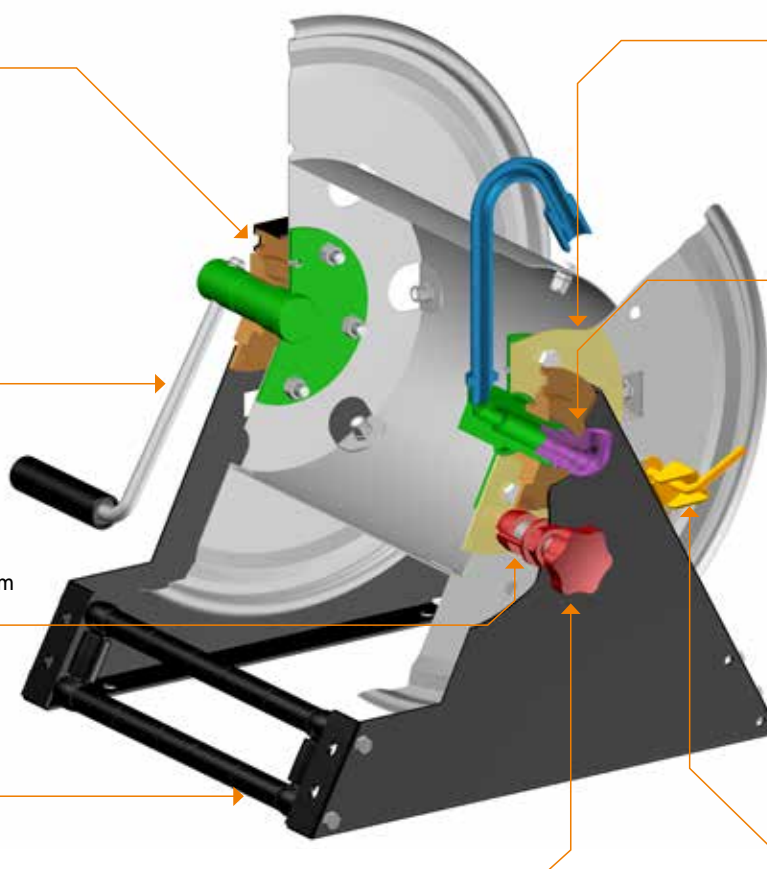
The **clutch** work on a stainless steel disc.

Swivel joint with ideal internal dimensions to guarantee the most possible flow. It is realized, depending on the model, in aluminum or galvanize steel, with seals in Viton.

Painted steel drum available in 4 different size.

The **painting** is highly resistant to atmospheric agents and impacts. The painted products undergo "saline mist resistance" corrosion testing according to UNI 9227 standards.

Manual stop preventing drum movement.



Series



500
manual



600
powered



700
manual



700
electric 24V



700
electric 230V



700
hydraulic



700
pneumatic



S. 617



S. 637

Resistant with the corrosion: all the components are painted (painting with epoxy powder coating, thickness min. 80µ), or finished with a galvanic treatment, ideal to work externally. Hose unwinding must be done manually by the operator, while hose rewinding is done by the hydraulic motor. A special device works as brake/clutch to regulate the speed of hose unwinding and rewinding.

Fluid - Pressure Part in contact with the fluid	S. 617 P/N	Connection		S. 637 P/N	Connection	
		Inlet	Outlet		Inlet	Outlet
Air - Water 20 bar - brass swivel joint - "viton" seals - central shaft "galvanised steel"	617/100	F 1" G	F 1" G	637/100	F 1" G	F 1" G
Water max 130°C 100 bar - "s. steel AISI 304" swivel joint - "viton" seals - central shaft "galvanised steel"	617/200	F 1" G	F 1" G	637/200	F 1" G	F 1" G
Oil and similar 150 -400 bar - "galvanised steel" swivel joint - "PU" seals - central shaft "galvanised steel"	617/400	F 1" G	F 1" G	637/400	F 1" G	F 1" G
Grasso 400 bar - "galvanised steel" swivel joint - guarnizioni in "PU" - central shaft "galvanised steel"	617/500	F 1" G	F 1" G	637/500	F 1" G	F 1" G
Diesel fuel 10 bar - brass swivel joint - "viton" seals - central shaft "galvanised steel"	617/600	F 1.1/2" G	F 1.1/2" G	637/600	F 1.1/2" G	F 1.1/2" G

Series 600

PNEUMATIC



S. 618



S. 638

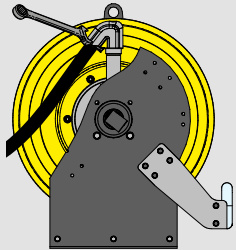
Resistant with the corrosion: all the components are painted (painting with epoxy powder coating, thickness min. 80µ), or finished with a galvanic treatment, ideal to work externally. Hose unwinding must be done manually by the operator, while hose rewinding is done by the pneumatic motor. A special device works as brake/clutch to regulate the speed of hose unwinding and rewinding.

Fluid - Pressure Part in contact with the fluid	S. 618 P/N	Connection		S. 638 P/N	Connection	
		Inlet	Outlet		Inlet	Outlet
Air - Water 20 bar - brass swivel joint - "viton" seals - central shaft "galvanised steel"	618/100	F 1" G	F 1" G	638/100	F 1" G	F 1" G
Water max 130°C 100 bar - "s. steel AISI 304" swivel joint - "viton" seals - central shaft "galvanised steel"	618/200	F 1" G	F 1" G	638/200	F 1" G	F 1" G
Oil and similar 150 -400 bar - "galvanised steel" swivel joint - "PU" seals - central shaft "galvanised steel"	618/400	F 1" G	F 1" G	638/400	F 1" G	F 1" G
Grasso 400 bar - "galvanised steel" swivel joint - "PU" seals - central shaft "galvanised steel"	618/500	F 1" G	F 1" G	638/500	F 1" G	F 1" G
Diesel fuel 10 bar - brass swivel joint - "viton" seals - central shaft "galvanised steel"	618/600	F 1" G	F 1" G	638/600	F 1" G	F 1" G

Hose reel capacity

Hose external diameter	Hose reel series	
	617-618	637-638
ø 22 mm	length max. 50 m	length max. 100 m
ø 28 mm	length max. 30 m	length max. 60 m
ø 34 mm	length max. 20 m	length max. 40 m
ø 44 mm	length max. 15 m	length max. 30 m
ø 50 mm	length max. 10 m	length max. 20 m

Hose reel outlet hose connection

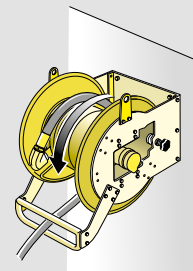
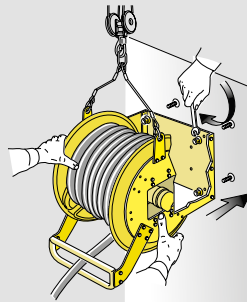
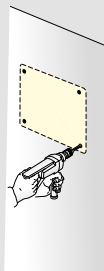


Series	Inlet	Outlet
617-618	F 1"	F 1" - 1.1/2"
637-638	F 1"	F 1" - 1.1/2"

The hose reel structure is designed also to facilitate the mounting and the disassembly of the hose.

Wall mounting

After choosing the ideal position, checking the consistency and thickness of the wall, marking the holes for the plugs (see template supplied with the hose reel) and making sure they do not interfere with hydraulic pipes or electrical wires, proceed with drilling. Fix the plugs in the wall and insert the hose reel in the special seats. Tighten the 4 fixing nuts.



Technical characteristics

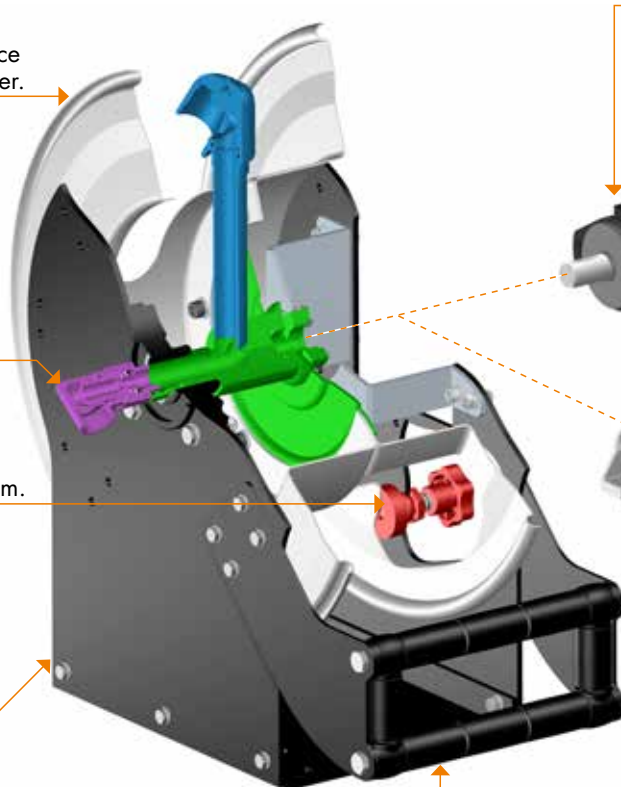
The **drum**, in painted steel or in painted steel, is sturdy and practical, with beads to reinforce the structure and rounded border.

Swivel joint with ideal internal dimensions to guarantee the most possible flow. It is realized, depending on the model, in brass, galvanize steel and stainless steel AISI 304, with seals in Polyurethane, Viton and Teflon.

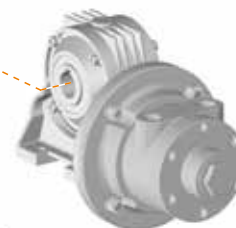
Adjustable **brake/clutch** for correct hose unwinding and rewinding. When necessary brake may block totally the drum.

The **painting** is highly resistant to atmospheric agents and impacts. The painted products undergo "saline mist resistance" corrosion testing according to UNI 9227 standards.

Large and **multidirectional roller guide** with self lubricating hose guide rollers.



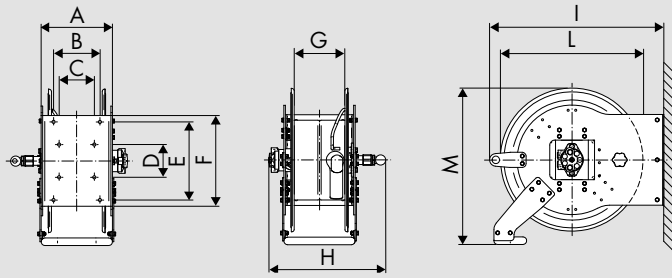
Hydraulic motor	
Max torque	190 Nm
Max Power	11 Kw
Max feeding pressure	140 bar (continuous) 175 bar (for short period)
Max oil consumption	75 l/min



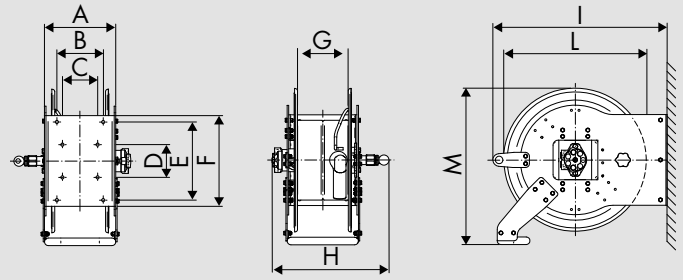
Pneumatic motor	
Variable speed	From 300 to 3000 gpm
Feeding pressure	7 bar
Max power	1.5 Kw
Max Torque	6,3 Nm
Air consumption	130 m³/h

Overall dimensions (mm)

hydraulic



pneumatic

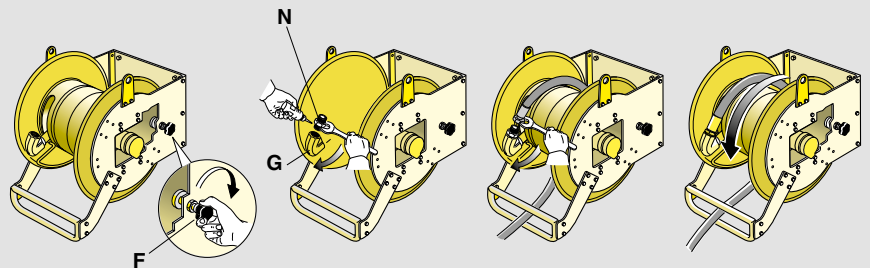


Series	A	B	C	D	E	F	G	H	I	L	M	1-m ³	Kg
617	283	185	140	130	310	360	220	463	692	570	621	0,310	da55a86
637	467	370	140	130	310	360	400	649	692	570	621	0,473	da75a137

Series	A	B	C	D	E	F	G	H	I	L	M	1-m ³	Kg
618	283	185	140	130	310	360	220	555	692	570	621	0,310	da51a82
638	467	370	140	130	310	360	400	740	692	570	621	0,473	da71a33

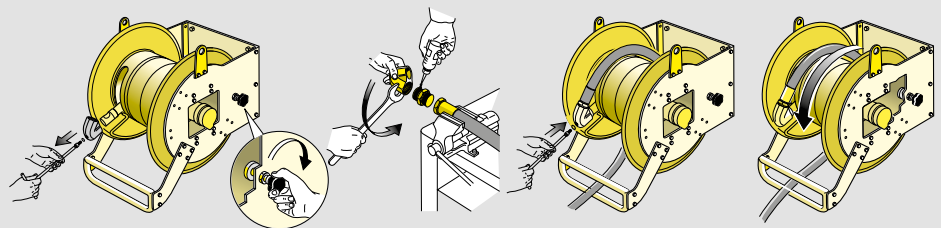
Fitting of hose on hydraulic or air motor-operated hose reels with 1" connector

Before carrying out the operation, make sure the hose reel drum is locked by means of the parking brake F. Screw one Nipple N on the outlet elbow G. Apply the hose on Nipple N.



Fitting of hose on hydraulic motor-operated hose reels with 1.1/2" connector

Before carrying out the operation, make sure the hose reel drum is locked by means of the parking brake F. Remove the outlet elbow G. Screw one Nipple N on the outlet elbow G. Screw the hose on nipple N. Hose with connections 1.1/2" must be connect directly to the elbow G. Refit the outlet elbow G with the assembled parts.



Hydraulic and air motor-operated hose reel feed

The hydraulic motor-operated hose reels are fed, by means of a control, by an electric control unit (control and control unit not supplied).

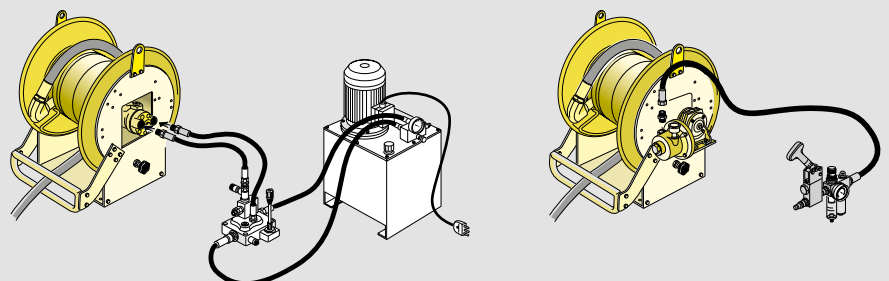
The air motor-operated hose reels are fed, by means of a control, with direct connection to the compressed air system (control not supplied).

HYDRAULIC MOTOR-OPERATED

Max torque 190 Nm, max power 11 KW,
Max feeding pressure 140 bar (continuous)
and 175 bar (for short period),
Max oil consumption 75 l/min

PNEUMATIC MOTOR-OPERATED

Variable speed from 300 to 3000 gpm,
Feeding pressure 7 bar
Max power 1.5 KW,
Max Torque 6.3 Nm,
Air consumption 130 m³/h



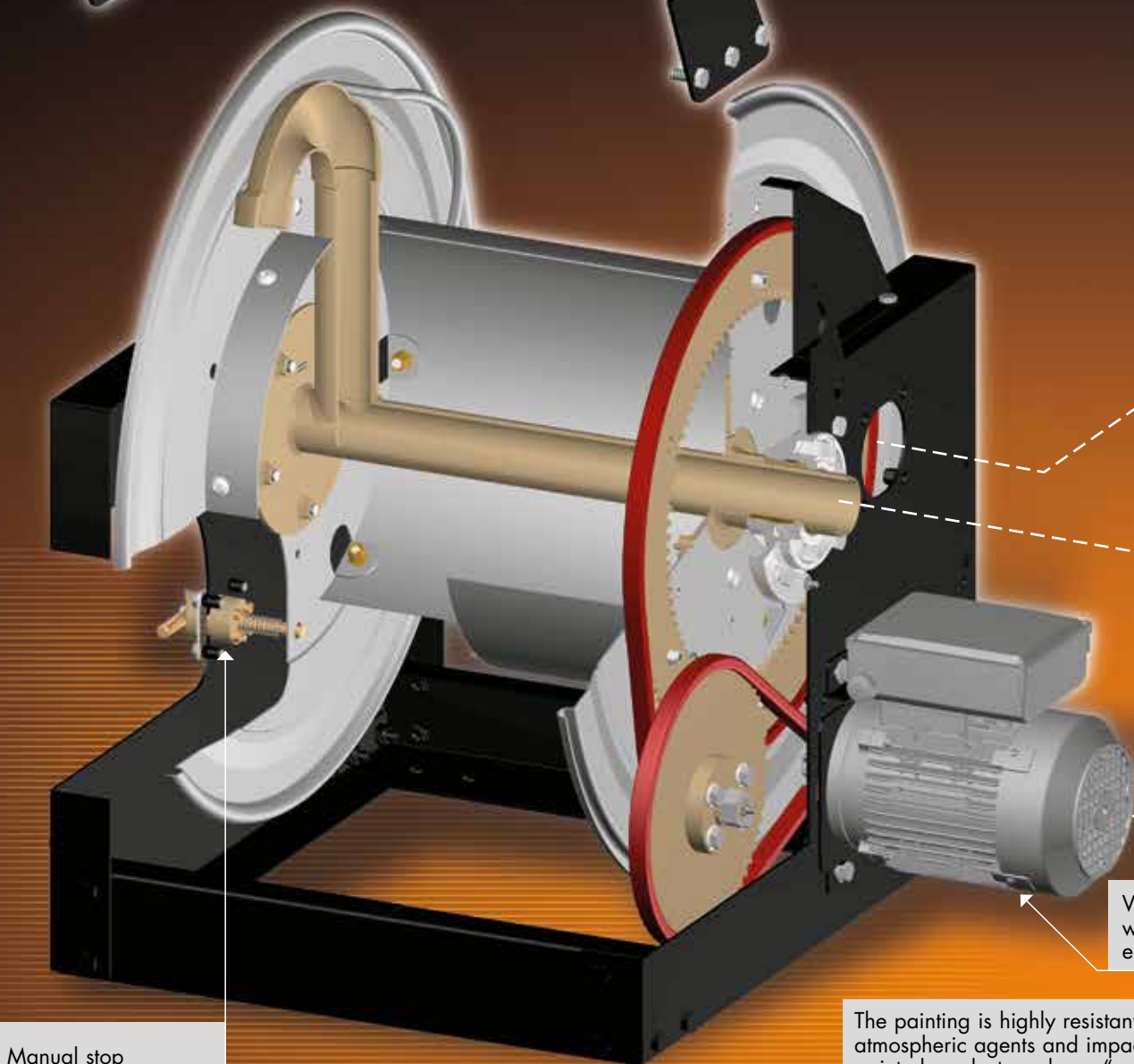
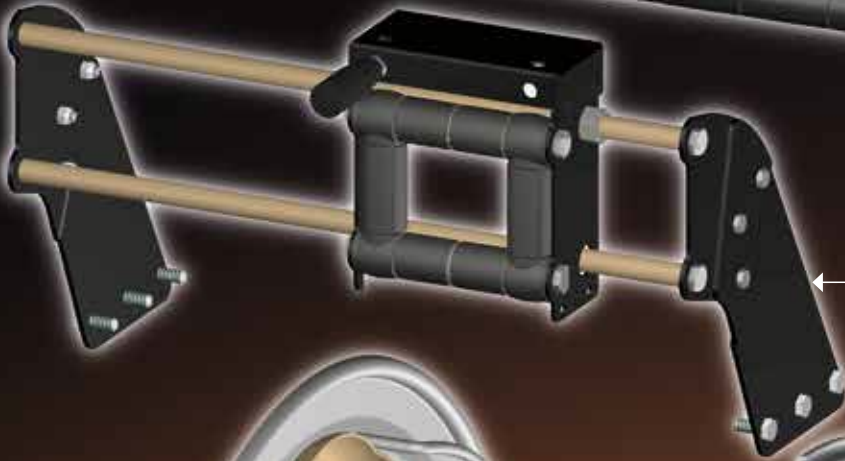
Standard open hose guide. Enables fitting of two guides in opposite directions (see figure page 26)
Available on request.



Standard closed hose guide.
Available on request.



Manual operation hose guide for optimum winding of hose.
Available on request.



Manual stop preventing drum movement.

Version with 230V electric motor.

The painting is highly resistant to atmospheric agents and impacts. The painted products undergo "saline mist resistance" corrosion testing according to UNI 9227 standards.

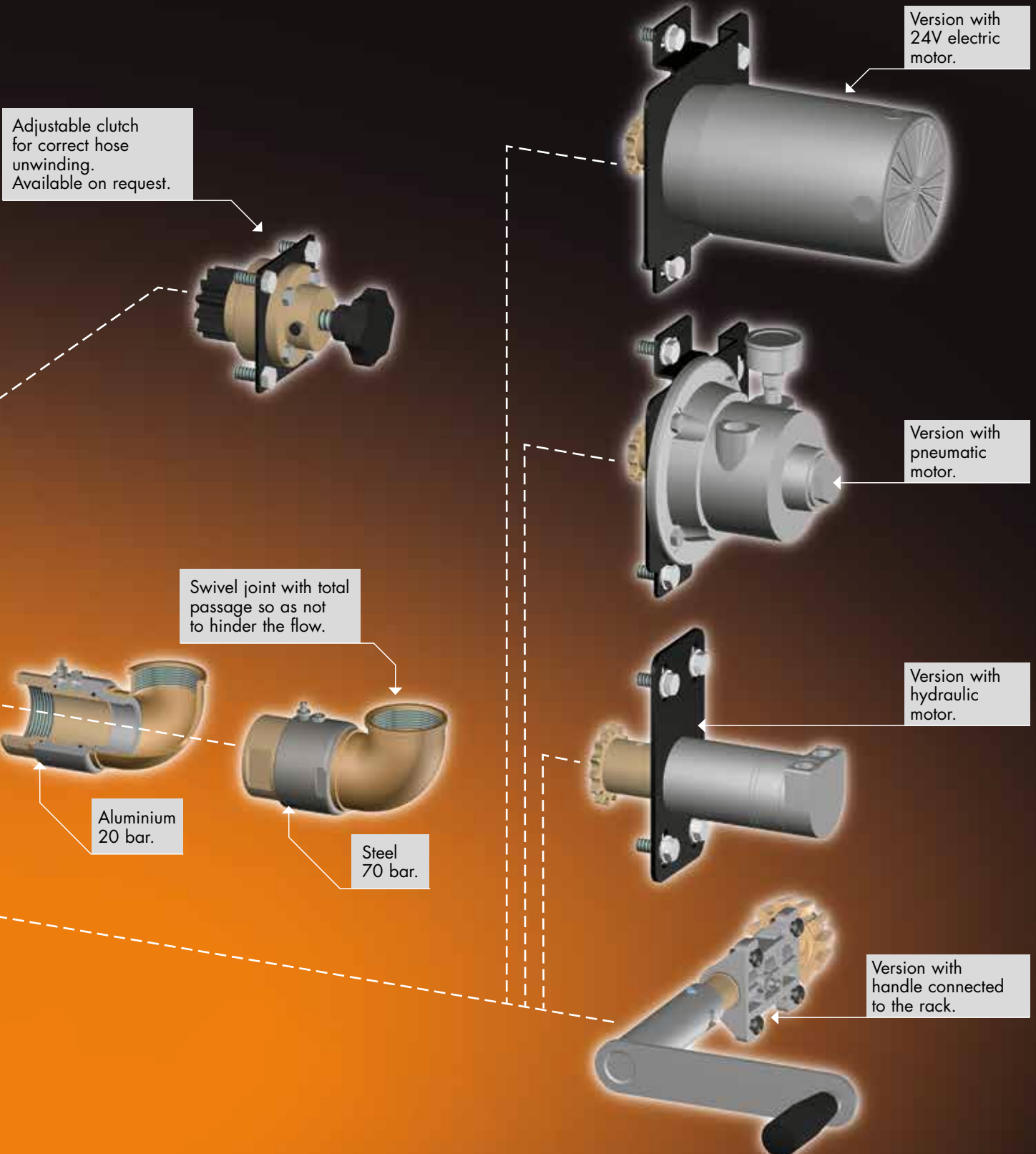
Technical characteristics

The exploded view below enables easy identification of the main parts making up the industrial hose reel, at the same time indicating the technical features.

As well as being **available with drum in 4 different widths**, the various hose reel models differ for:

- **type of motorisation** (manual, 24V electric, 230V electric, hydraulic, pneumatic)
- **2" swivel joint max. pressure** (20 bar or 70 bar)
- **type and position of hose guide (available on request)**
- **presence or not of the clutch** which regulates the hose unwinding speed.

All the models have a manual drum stop.



PAINTED STEEL

Series



500 manual



600 powered



700 manual



700 electric 24V



700 electric 230V



700 hydraulic



700 pneumatic



The manual hose reels are a handy and easy answer to the problem of hose management. Given their simple operation, they are practically maintenance free.

Fluid - Pressure Part in contact with the fluid	Width 270 mm	Width 410 mm	Width 550 mm	Width 690 mm	Connection	
					Inlet	Outlet
Air - Water - Diesel fuel 20 bar - "aluminum" swivel joint - "viton" seals - central shaft "galvanised steel"	721001/10	741001/10	751001/10	771001/10	2"	2"
Oil and similar 70 bar - "galvanised steel" swivel joint - guarnizioni in "PU" - central shaft "galvanised steel"	721001/40	741001/40	751001/40	771001/40	2"	2"

Note: all the hose reels in the table are without hose



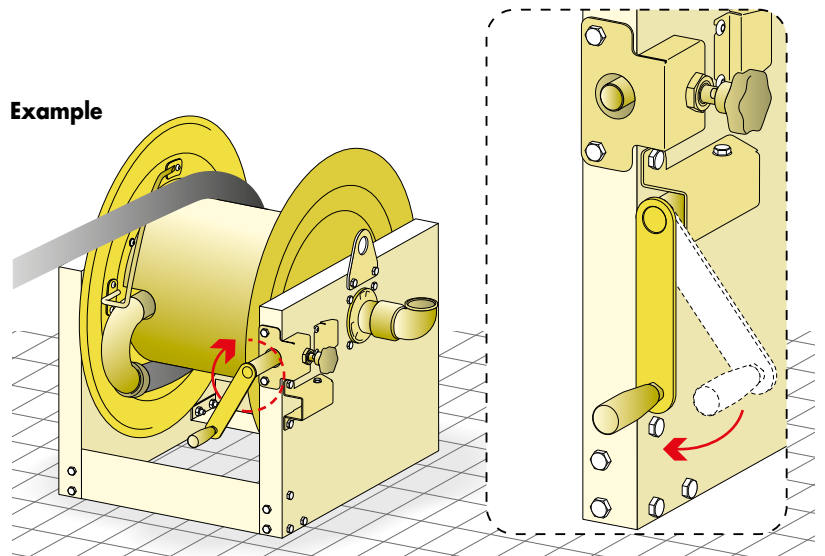
Atex 94/9 II 3GD c TX

Manual hose reel

Example

The practical handle, connected to the external rack allows easy winding of the hose at the same time controlling its positioning on the drum.

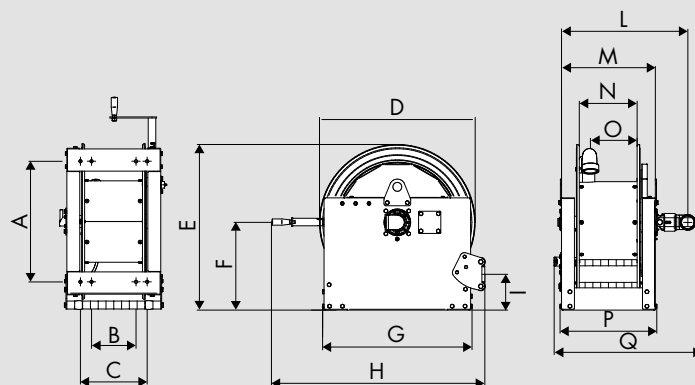
There is also an easy allocation where the handle can be stored during the un-winding operation.



Hose length and diameter

ø Hose	ø Hose external	Width 270	Width 410	Width 550	Width 690
3/8"	17	200 m	300 m	410 m	530 m
1/2"	20	150 m	220 m	300 m	410 m
3/4"	27	80 m	140 m	200 m	250 m
1"	35	50 m	80 m	110 m	140 m
1.1/4"	43	35 m	50 m	65 m	85 m
1.1/2"	50	20 m	45 m	65 m	80 m
2"	63	13 m	25 m	35 m	45 m

Overall dimensions (mm)



	A	B	C	D	E	F	G	H	I	L	M	N	O	P	Q	1-m ³	Kg
L 270	542	200	300	700	760	410	672	920	160	570	422	260	210	435	640	0,53	85
L 410	542	340	440	700	760	410	672	920	160	712	562	398	350	575	735	0,63	96
L 550	542	480	580	700	760	410	672	920	160	850	705	538	490	717	875	0,73	103
L 690	542	620	720	700	760	410	672	920	160	990	842	680	630	855	1060	0,82	119

Technical characteristics

The **drum**, in painted steel or in painted steel, is sturdy and practical, with beads to reinforce the structure and rounded border. Available in 4 different sizes.

The **self-lubricating bearings** and bushes help the rotation of the spool.

Manual stop preventing drum movement.

The **painting** is highly resistant to atmospheric agents and impacts. The painted products undergo "saline mist resistance" corrosion testing according to UNI 9227 standards.

Position B

If required by hose reel use, the handle and clutch can be shifted from the standard position indicated above to the **position A-B** shown in the figure, by means of a simple operations.

Position A

Swivel joint with ideal internal dimensions to guarantee the most possible flow. It is realized, depending on the model, in aluminum or in galvanized steel, with seals in Viton.

The **clutch in POM**, which acts on the handle (to be used only during unwinding), creates the necessary friction on the pinion, for regulating hose unwinding speed.

Standard position

PAINTED STEEL

Series



500 manual



600 powered



700 manual



700 electric 24V



700 electric 230V



700 hydraulic



700 pneumatic



The hose reels with 24V electric motor are a handy and easy answer to the problem of hose management. Hose unwinding occurs manually whereas rewinding is done with the electric motor connected to a battery or an electrical transformer.

Fluid - Pressure Part in contact with the fluid	Width 270 mm	Width 410 mm	Width 550 mm	Width 690 mm	Connection	
					Inlet	Outlet
Air - Water - Diesel fuel 20 bar - "aluminum" swivel joint - "viton" seals - central shaft "galvanised steel"	721301/10	741301/10	751301/10	771301/10	2"	2"
Oil and similar 70 bar - "galvanised steel" swivel joint - "viton" seals - central shaft "galvanised steel"	721301/40	741301/40	751301/40	771301/40	2"	2"

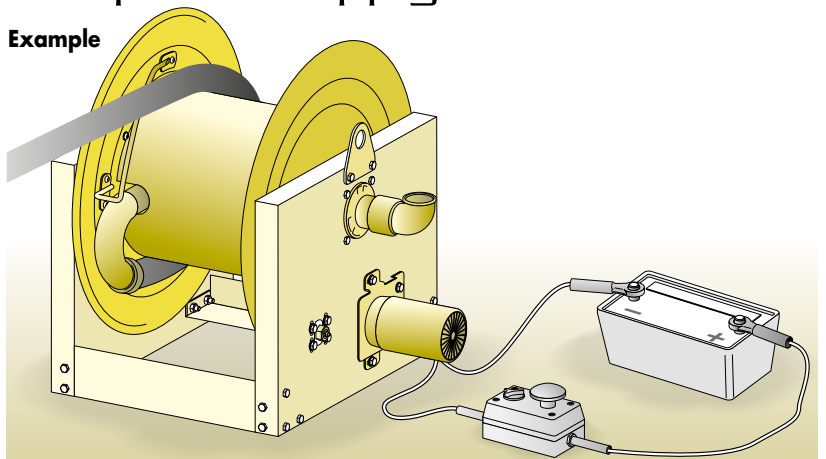
Note: all the hose reels in the table are without hose

24V electric hose reel power supply

24V DC MOTOR, 300W POWER

Example

The **24V motor** can be connected to a battery or a current transformer connected to the 230V mains. An On/Off switch must be installed between the power supply and the hose reel.

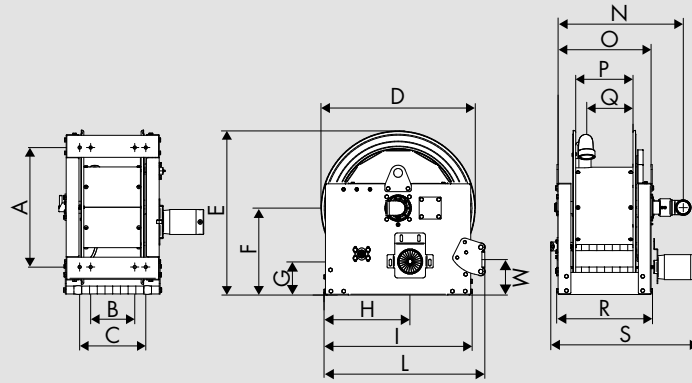


⚠ Attention: check the electrical connection for the correct direction of motor rotation.

Hose length and diameter

ø Hose	ø Hose external	Width 270	Width 410	Width 550	Width 690
3/8"	17 mm	200 m	300 m	410 m	530 m
1/2"	20 mm	150 m	220 m	300 m	410 m
3/4"	27 mm	80 m	140 m	200 m	250 m
1"	35 mm	50 m	80 m	110 m	140 m
1.1/4"	43 mm	35 m	50 m	65 m	85 m
1.1/2"	50 mm	20 m	45 m	65 m	80 m
2"	63 mm	13 m	25 m	35 m	45 m

Overall dimensions (mm)



	A	B	C	D	E	F	G	H	I	L	M	N	O	P	Q	R	S	1-m ³	Kg
L 270	542	200	300	700	760	410	150	390	670	730	160	570	422	260	210	435	630	0,53	100
L 410	542	340	440	700	760	410	150	390	670	730	160	712	562	398	350	575	770	0,63	110
L 550	542	480	580	700	760	410	150	390	670	730	160	850	705	538	490	717	915	0,73	117
L 690	542	620	720	700	760	410	150	390	670	730	160	990	842	680	630	855	1055	0,82	133

Technical characteristics

The **drum**, in painted steel or in painted steel, is sturdy and practical, with beads to reinforce the structure and rounded border. Available in 4 different sizes.

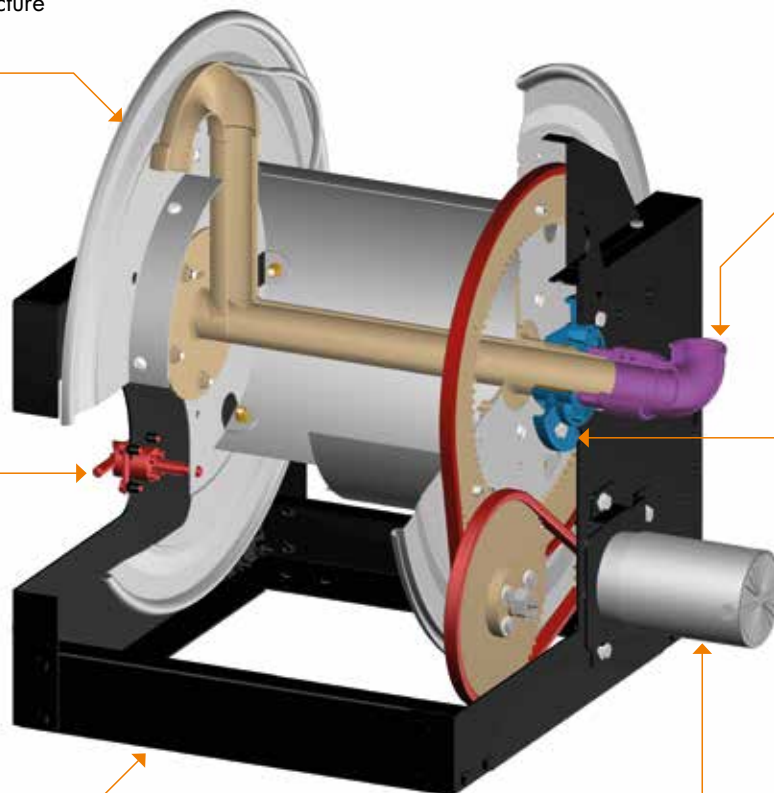
Swivel joint with ideal internal dimensions to guarantee the most possible flow. It is realized, depending on the model, in aluminum or in galvanize steel, with seals in Viton.

Manual stop preventing drum movement.

The **self-lubricating bearings** and bushes help the rotation of the spool.

The **painting** is highly resistant to atmospheric agents and impacts. The painted products undergo "saline mist resistance" corrosion testing according to UNI 9227 standards.

24V DC electric motor, with nominal power of 300 W.



PAINTED STEEL

Series



500 manual



600 powered



700 manual



700 electric 24V



700 electric 230V



700 hydraulic



700 pneumatic



The hose reels with 230V electric motor are a handy and easy answer to the problem of hose management. Hose unwinding occurs manually whereas rewinding is done with the electric motor appropriately connected to the 230V power supply.

Fluid - Pressure Part in contact with the fluid	Width 270 mm	Width 410 mm	Width 550 mm	Width 690 mm	Connection	
					Inlet	Outlet
Air - Water - Diesel fuel 20 bar - "aluminum" swivel joint - "viton" seals - central shaft "galvanised steel"	721601/10	741601/10	751601/10	771601/10	2"	2"
	721702/10*	741702/10*	751702/10*	771702/10*	2"	2"
Oil and similar 70 bar - "galvanised steel" swivel joint - "viton" seals - central shaft "galvanised steel"	721601/40	741601/40	751601/40	771601/40	2"	2"
	721702/40*	741702/40*	751702/40*	771702/40*	2"	2"

Note: all the hose reels in the table are without hose

* Atex 94/9 II 3GD

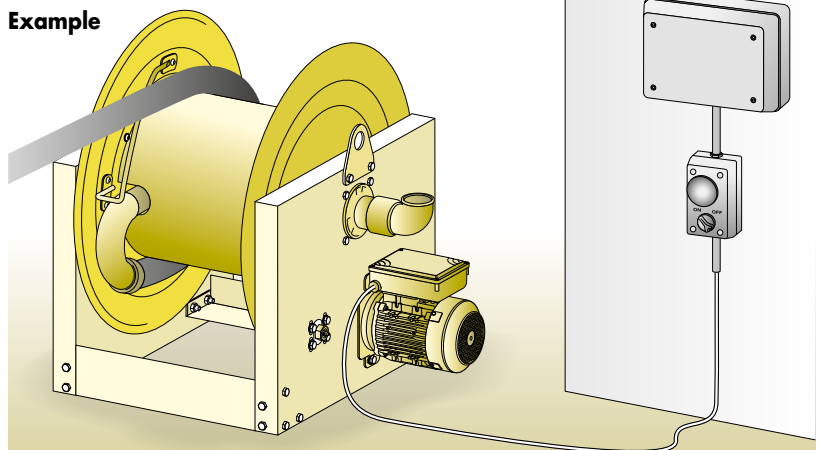
230V electric hose reel power supply

SINGLE PHASE MOTOR 230 V AC, 370 W POWER WITH CONDENSER TO INCREASE THE STARTING POWER.

The On/Off push button must be installed **between the electric motor and 230V power supply**. An internal reduction unit allows the hose to be correctly wound on the drum.

⚠ Attention: check the electrical connection for the correct direction of motor rotation.

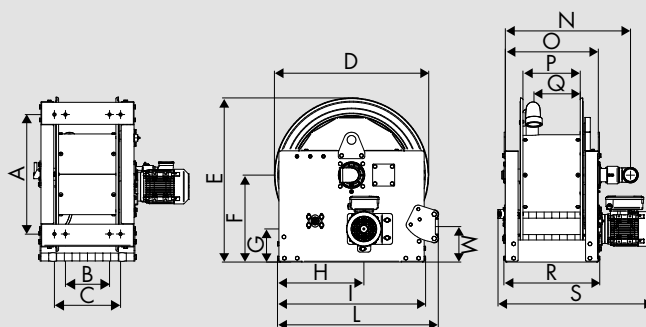
Example



Hose length and diameter

ø Hose	ø Hose external	Width 270	Width 410	Width 550	Width 690
3/8"	17 mm	200 m	300 m	410 m	530 m
1/2"	20 mm	150 m	220 m	300 m	410 m
3/4"	27 mm	80 m	140 m	200 m	250 m
1"	35 mm	50 m	80 m	110 m	140 m
1.1/4"	43 mm	35 m	50 m	65 m	85 m
1.1/2"	50 mm	20 m	45 m	65 m	80 m
2"	63 mm	13 m	25 m	35 m	45 m

Overall dimensions (mm)



	A	B	C	D	E	F	G	H	I	L	M	N	O	P	Q	R	S	1-m ³	Kg
L 270	542	200	300	700	760	410	150	390	670	730	160	570	422	260	210	435	680	0,53	102
L 410	542	340	440	700	760	410	150	390	670	730	160	712	562	398	350	575	844	0,63	113
L 550	542	480	580	700	760	410	150	390	670	730	160	850	705	538	490	717	965	0,73	120
L 690	542	620	720	700	760	410	150	390	670	730	160	990	842	680	630	855	1100	0,82	136

Technical characteristics

The **drum**, in painted steel or in painted steel, is sturdy and practical, with beads to reinforce the structure and rounded border. Available in 4 different sizes.

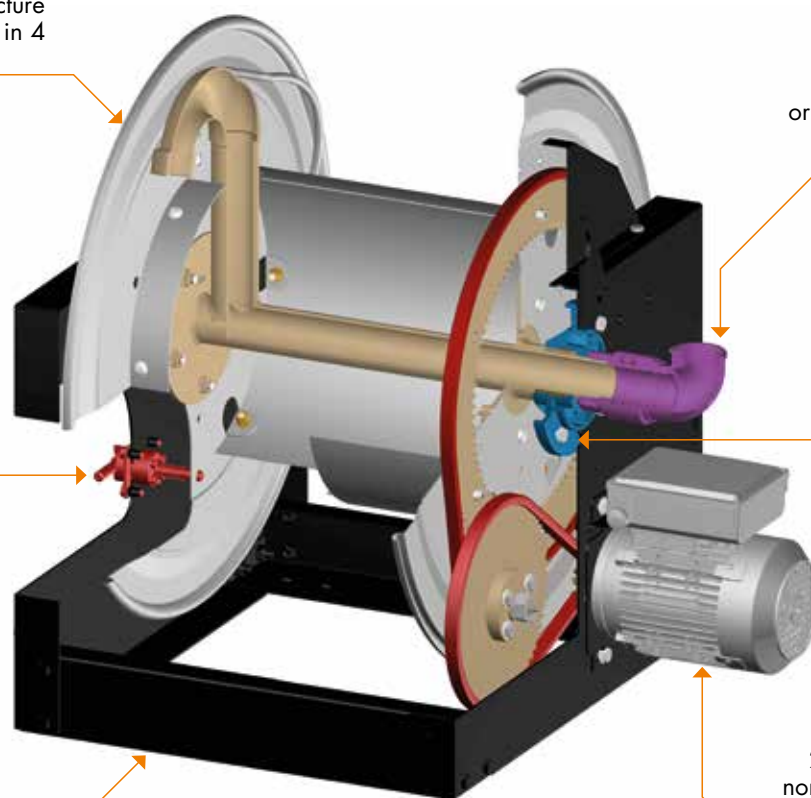
Swivel joint with ideal internal dimensions to guarantee the most possible flow. It is realized, depending on the model, in aluminum or in galvanize steel, with seals in Viton.

Manual stop preventing drum movement.

The **self-lubricating bearings** and bushes help the rotation of the spool.

The **painting** is highly resistant to atmospheric agents and impacts. The painted products undergo "saline mist resistance" corrosion testing according to UNI 9227 standards.

230V AC electric motor, nominal power of 370 W, with condenser to increase the starting power.



Series



500 manual



600 powered



700 manual



700 electric 24V



700 electric 230V



700 hydraulic



700 pneumatic



The hose reels with hydraulic motor are a handy and easy answer to the problem of hose management. Hose unwinding occurs manually whereas rewinding is done with the hydraulic motor connected to a special control unit as indicated in the figure below.

Fluid - Pressure Part in contact with the fluid	Width 270 mm	Width 410 mm	Width 550 mm	Width 690 mm	Connection	
					Inlet	Outlet
Air - Water - Diesel fuel 20 bar - "aluminum" swivel joint - "viton" seals - central shaft "galvanised steel"	721801/10	741801/10	751801/10	771801/10	2"	2"
Oil and similar 70 bar - "galvanised steel" swivel joint - "viton" seals - central shaft "galvanised steel"	721801/40	741801/40	751801/40	771801/40	2"	2"

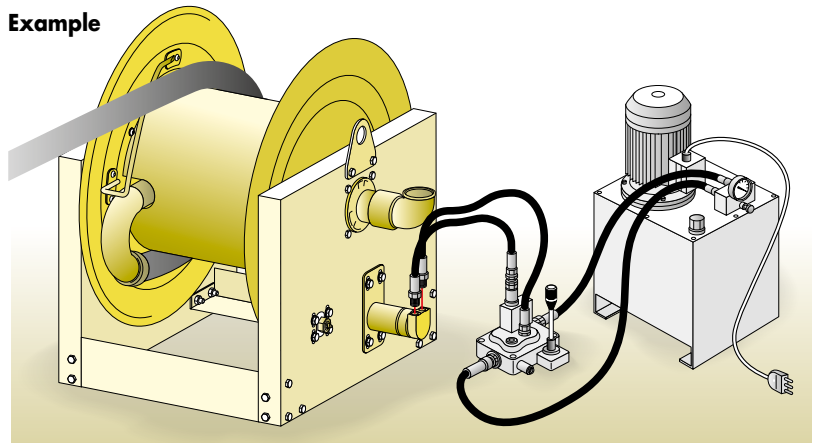
Note: all the hose reels in the table are without hose

Hydraulic hose reel feed

HYDRAULIC MOTOR
MAX POWER OF 1,8 KW,
(continuous working)
MAX TORQUE 46 Nm
(continuous working)
MAX TORQUE 88 Nm (short period),
MAX OIL CONSUMPTION 20 l/min.

The hydraulic motor must be connected to a special control unit equipped with a pump with electric motor, hydraulic oil tank and a control system operated by the user to rewind the hose.

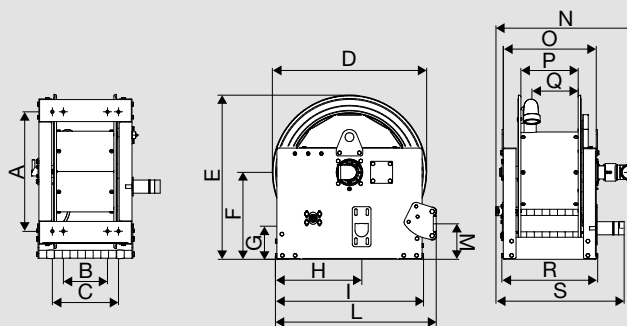
Example



Hose length and diameter

ø Hose	ø Hose external	Width 270	Width 410	Width 550	Width 690
3/8"	17 mm	200 m	300 m	410 m	530 m
1/2"	20 mm	150 m	220 m	300 m	410 m
3/4"	27 mm	80 m	140 m	200 m	250 m
1"	35 mm	50 m	80 m	110 m	140 m
1.1/4"	43 mm	35 m	50 m	65 m	85 m
1.1/2"	50 mm	20 m	45 m	65 m	80 m
2"	63 mm	13 m	25 m	35 m	45 m

Overall dimensions (mm)



	A	B	C	D	E	F	G	H	I	L	M	N	O	P	Q	R	S	1-m ³	Kg
L 270	542	200	300	700	760	410	150	390	670	730	160	640	422	260	210	435	555	0,53	91
L 410	542	340	440	700	760	410	150	390	670	730	160	782	562	398	350	575	695	0,63	102
L 550	542	480	580	700	760	410	150	390	670	730	160	920	705	538	490	717	840	0,73	109
L 690	542	620	720	700	760	410	150	390	670	730	160	1060	842	680	630	855	975	0,82	125

Technical characteristics

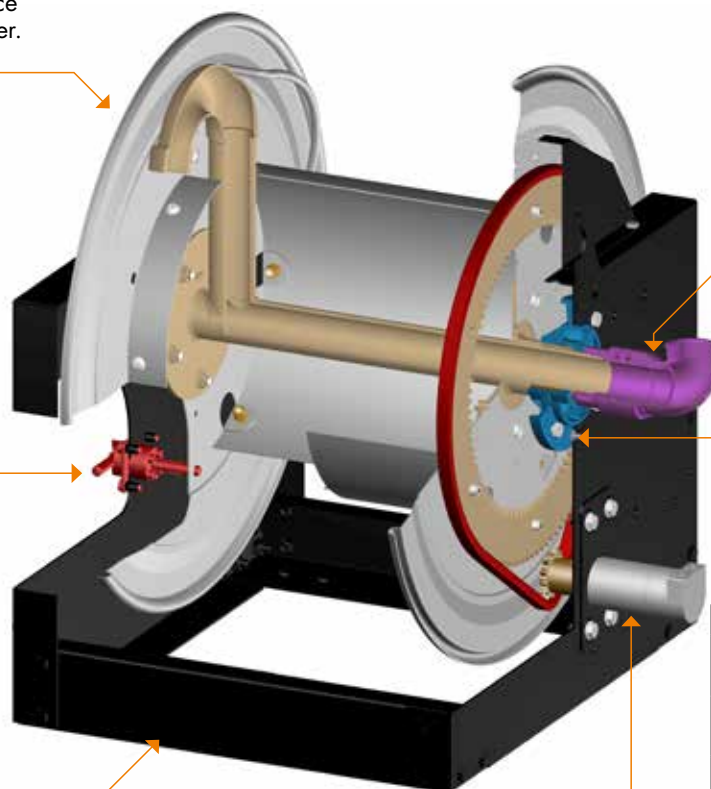
The **drum**, in painted steel or in painted steel, is sturdy and practical, with beads to reinforce the structure and rounded border. Available in 4 different sizes.

Swivel joint with ideal internal dimensions to guarantee the most possible flow. It is realized, depending on the model, in aluminum or in galvanize steel, with seals in Viton.

Manual stop preventing drum movement.

The **self-lubricating bearings** and bushes help the rotation of the spool.

The **painting** is highly resistant to atmospheric agents and impacts. The painted products undergo "saline mist resistance" corrosion testing according to UNI 9227 standards.



hydraulic motor	
Max power (continuous)	1,8 Kw
Max torque (continuous)	46 Nm
Max torque (short period)	88 Nm
Max oil consumption	20 l/min

Series



500 manual



600 powered



700 manual



700 electric 24V



700 electric 230V



700 hydraulic



700 pneumatic



The hose reels with pneumatic motor are a handy and easy answer to the problem of hose management. Hose unwinding occurs manually whereas rewinding is done with the pneumatic motor connected to the compressed air supply as indicated in the figure below.

Fluid - Pressure Part in contact with the fluid	Width 270 mm	Width 410 mm	Width 550 mm	Width 690 mm	Connection	
					Inlet	Outlet
Air - Water - Diesel fuel 20 bar - "aluminum" swivel joint - "viton" seals - central shaft "galvanised steel"	721901/10	741901/10	751901/10	771901/10	2"	2"
Oil and similar 70 bar - "galvanised steel" swivel joint - "viton" seals - central shaft "galvanised steel"	721901/40	741901/40	751901/40	771901/40	2"	2"

Note: all the hose reels in the table are without hose

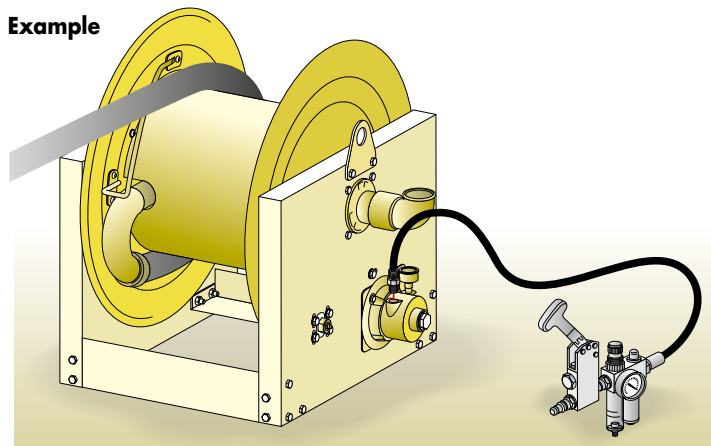


Atex 94/9 II 3GD c TX + 1°C Ta+40°C X (only if equipped with clutch)

Pneumatic hose reel feed

PNEUMATIC MOTOR
VARIABLE SPEED FROM 300 TO 3000 RPM,
MAX WORKING PRESSURE 7 bar,
MAX POWER 1,5 Kw,
MAX TORQUE 6,3 Nm,
MAX AIR CONSUMPTION 130 m³/h

Example

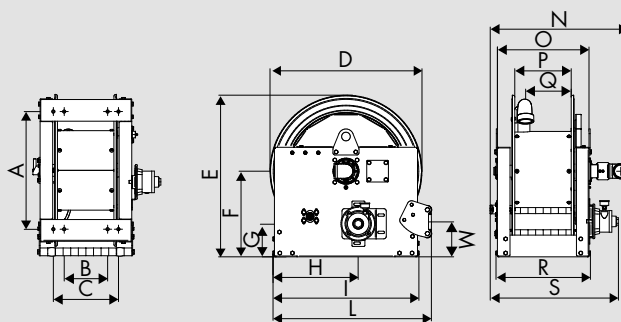


The hose reel with pneumatic motor must be connected to the compressed air supply, interposing an open/close cock and a pressure regular for controlling the rewinding force and speed.

Hose length and diameter

ø Hose	ø Hose external	Width 270	Width 410	Width 550	Width 690
3/8"	17 mm	200 m	300 m	410 m	530 m
1/2"	20 mm	150 m	220 m	300 m	410 m
3/4"	27 mm	80 m	140 m	200 m	250 m
1"	35 mm	50 m	80 m	110 m	140 m
1.1/4"	43 mm	35 m	50 m	65 m	85 m
1.1/2"	50 mm	20 m	45 m	65 m	80 m
2"	63 mm	13 m	25 m	35 m	45 m

Overall dimensions (mm)



	A	B	C	D	E	F	G	H	I	L	M	N	O	P	Q	R	S	1-m ³	Kg
L 270	542	200	300	700	760	410	150	390	670	730	160	640	422	260	210	435	555	0,53	91
L 410	542	340	440	700	760	410	150	390	670	730	160	782	562	398	350	575	695	0,63	102
L 550	542	480	580	700	760	410	150	390	670	730	160	920	705	538	490	717	840	0,73	109
L 690	542	620	720	700	760	410	150	390	670	730	160	1060	842	680	630	855	975	0,82	125

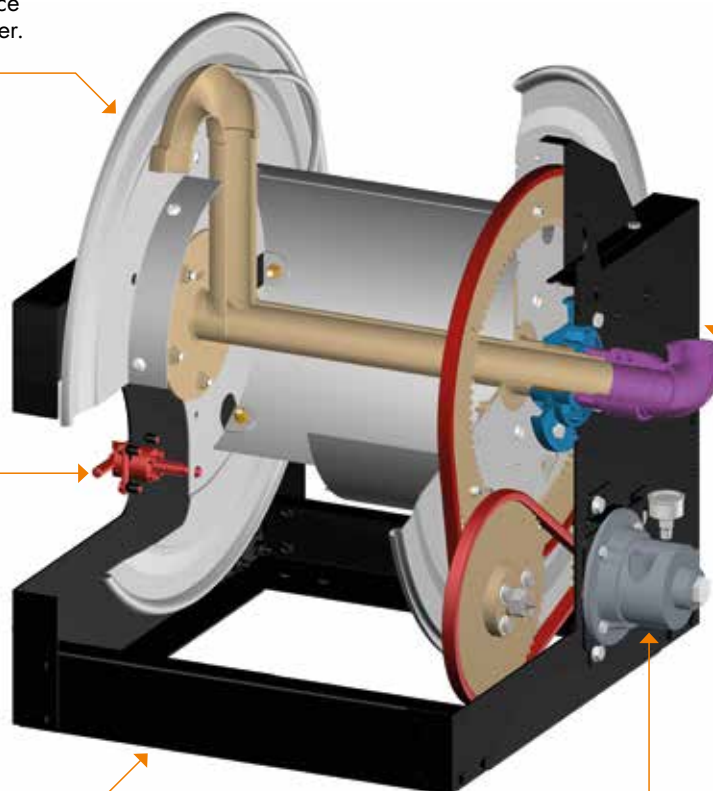
Technical characteristics

The **drum**, in painted steel or in painted steel, is sturdy and practical, with beads to reinforce the structure and rounded border. Available in 4 different sizes.

Swivel joint with ideal internal dimensions to guarantee the most possible flow. It is realized, depending on the model, in aluminum or in galvanize steel, with seals in Viton.

Manual stop preventing drum movement.

The **painting** is highly resistant to atmospheric agents and impacts. The painted products undergo "saline mist resistance" corrosion testing according to UNI 9227 standards.

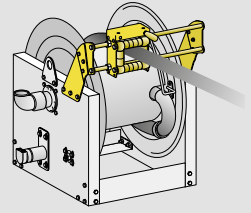


Pneumatic motor	
Variable speed	From 300 to 3000 rpm
Max air inlet pressure	max 7 bar
Max power	1,5 Kw
Max Torque	6,3 Nm
Max air consumption	130 m ³ /h



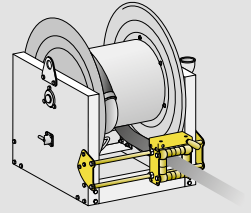
Manual operation hose guide, high

P/N OE77/22775B	for width 270 mm
P/N OE77/24175B	for width 410 mm
P/N OE77/25575B	for width 550 mm
P/N OE77/26975B	for width 690 mm



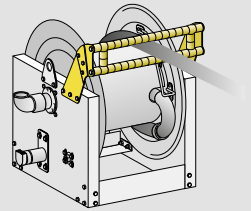
Manual operation hose guide, low

P/N OE77/22775	for width 270 mm
P/N OE77/24175	for width 410 mm
P/N OE77/25575	for width 550 mm
P/N OE77/26975	for width 690 mm



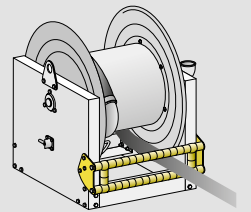
Hose guide standard closed, high

P/N OE77/12775B	for width 270 mm
P/N OE77/14175B	for width 410 mm
P/N OE77/15575B	for width 550 mm
P/N OE77/16975B	for width 690 mm



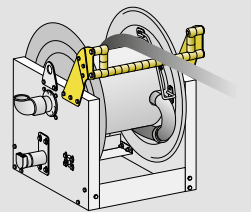
Hose guide standard closed, low

P/N OE77/12775	for width 270 mm
P/N OE77/14175	for width 410 mm
P/N OE77/15575	for width 550 mm
P/N OE77/16975	for width 690 mm



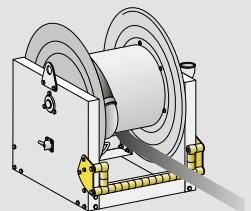
Hose guide standard open, high

P/N OE77/32775B	for width 270 mm
P/N OE77/34175B	for width 410 mm
P/N OE77/35575B	for width 550 mm
P/N OE77/36975B	for width 690 mm



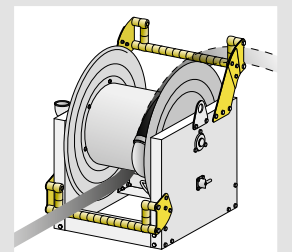
Hose guide standard open, low

P/N OE77/32775	for width 270 mm
P/N OE77/34175	for width 410 mm
P/N OE77/35575	for width 550 mm
P/N OE77/36975	for width 690 mm



Hose guide, standard open high or low.

This type of hose guide enables fitting of both versions (high and low) on the same hose reel, allowing hose unwinding in two opposite directions.

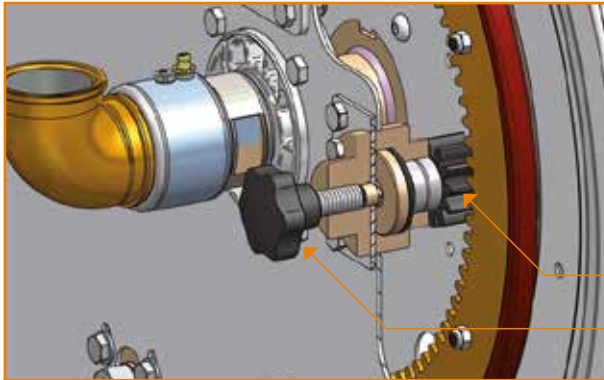


Series 700 Accessories



P/N OE77/2F

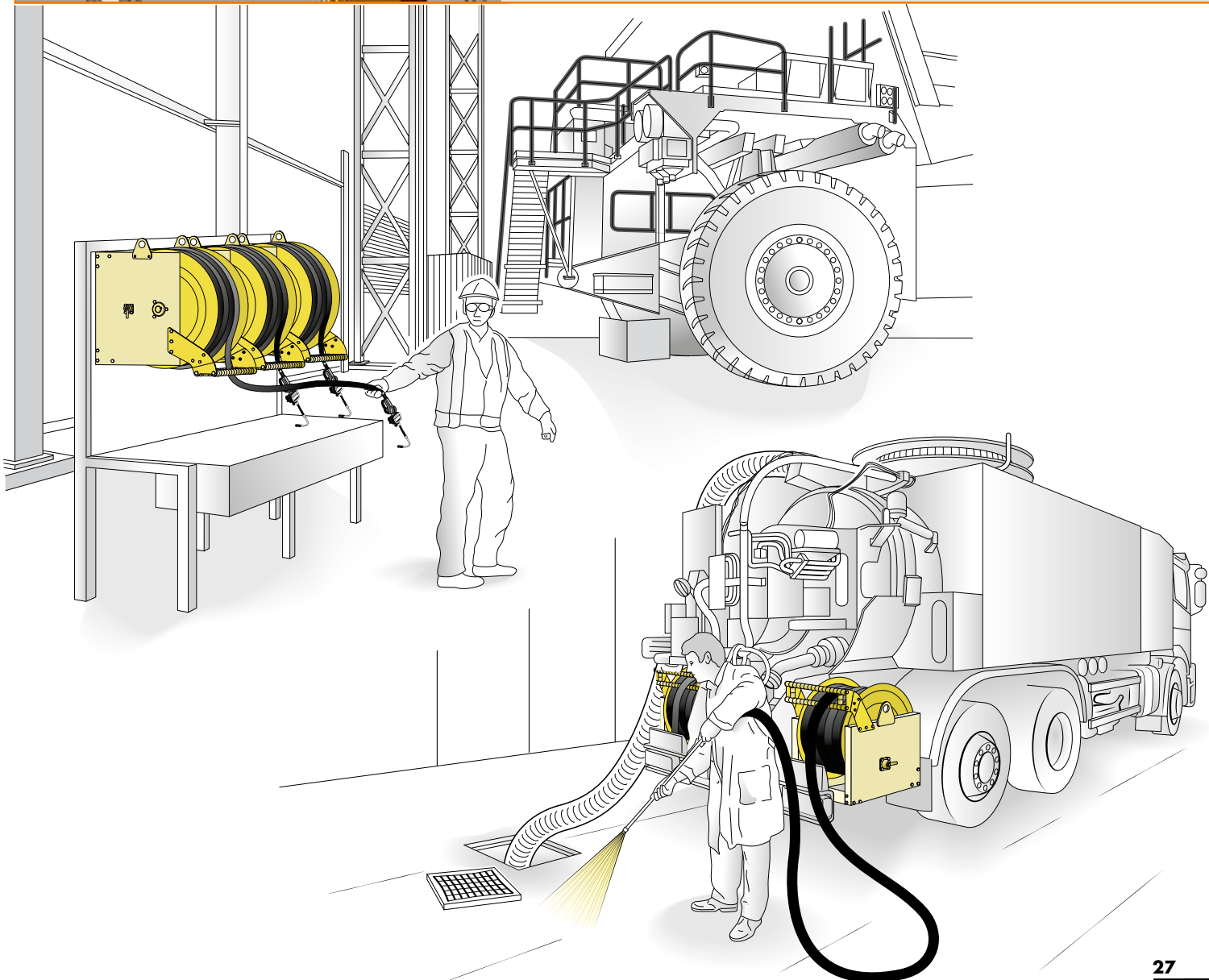
The clutch mounted on a freewheel bearing enables controlled unwinding of the hose, becoming neutral during rewinding.



The **clutch** is useful during hose unwinding which is always done manually. It acts on the connection between the crown gears of the hose reel, limiting sliding. Hose unwinding speed is limited by means of the regulating knob, thereby preventing the drum from continuing to turn due to inertia. The clutch is compulsory for Atex approved versions.

Connection between crown gears, on which the clutch acts.

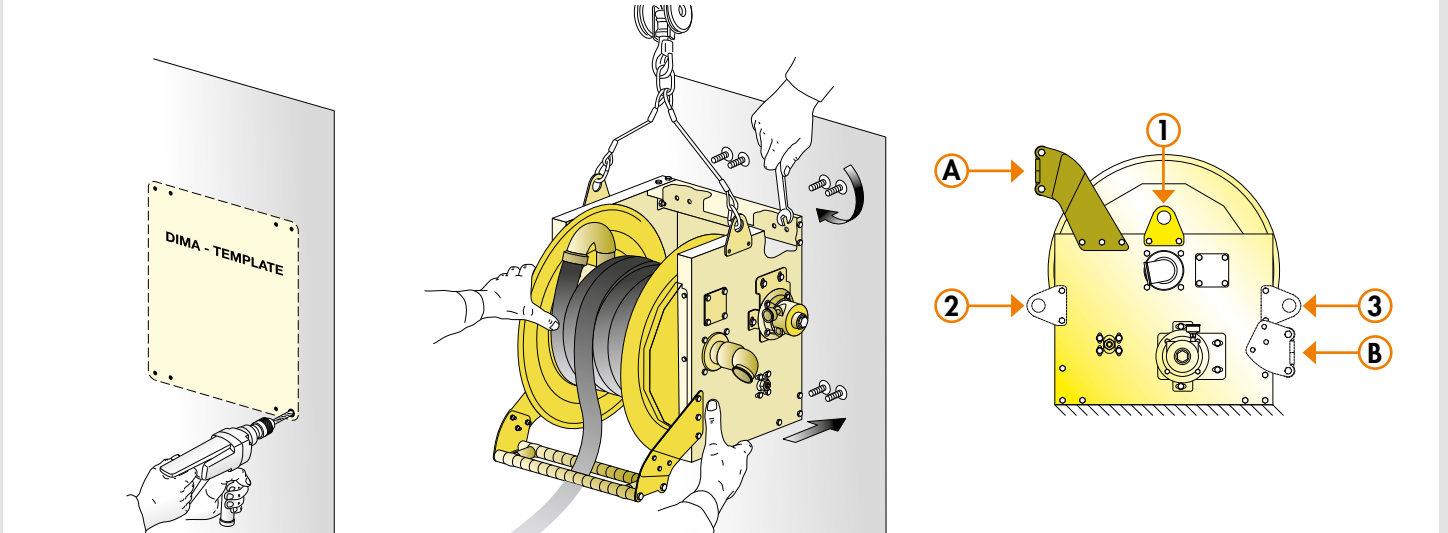
Clutch regulating knob.



Wall mounting

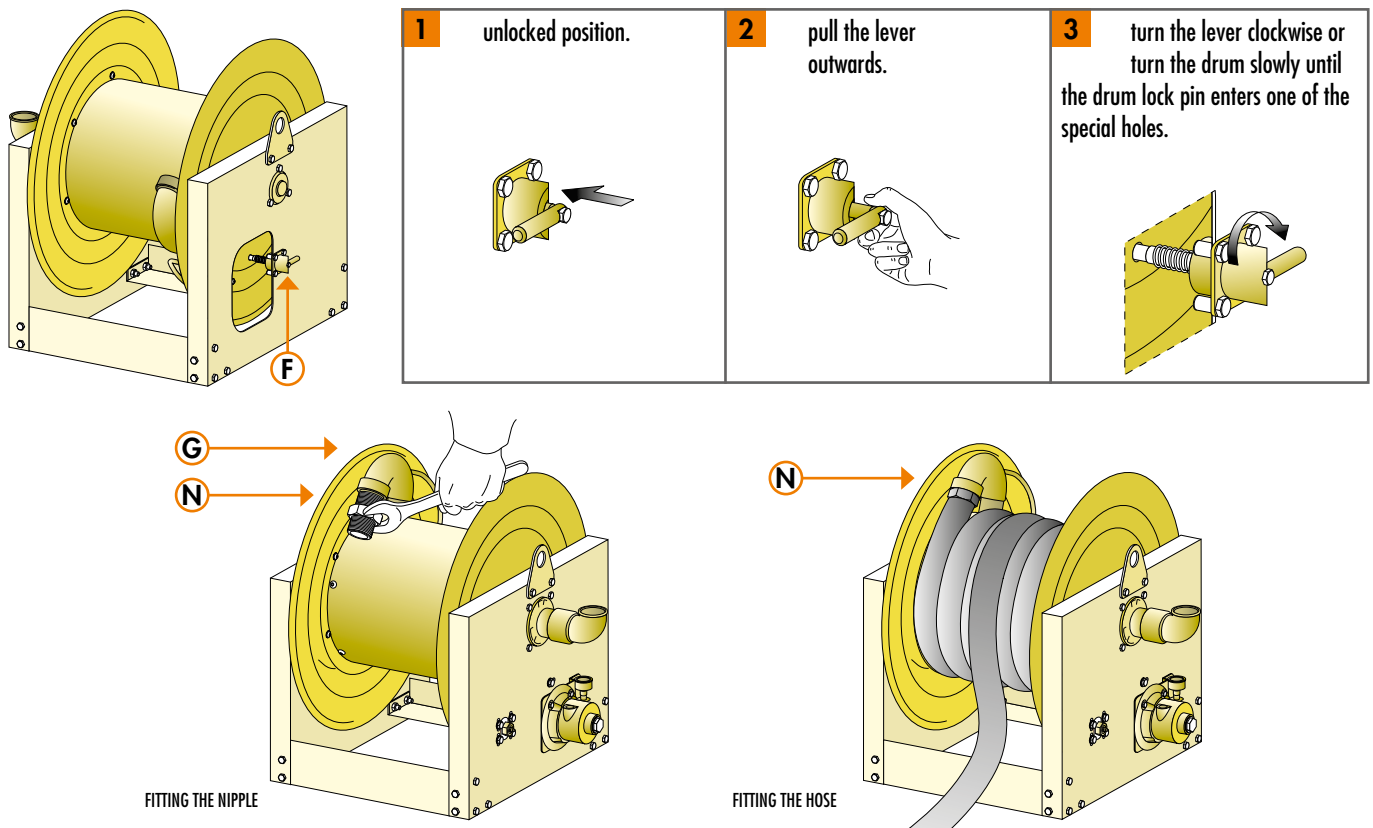
Drill the necessary holes after choosing the ideal position, checking the solidity and thickness of the wall, marking the holes for the plugs (see template supplied with the hose reel) and ensuring that they will not pierce any plumbing pipes or electrical cables. Fix the plugs in the wall and insert the hose reel in the special seats. Tighten the 4/8 fixing nuts.

1 standard position of lifting hooks. **2 - 3** alternative positions of lifting hooks.
A - B positions of hose guides.



Fitting the hose

Before fitting, make sure the hose reel drum is locked by means of the special brake **F** (see procedures 1 - 2 - 3). Screw a Nipple **N** on the outlet elbow **G**, with sealant. Fit the hose on the Nipple **N**.



Hose specifications

The range of hoses offered by ECODORA for its hose reels is in line with company's quality standards and guarantees excellent performance in the applications with the pressures specified in the catalogue. For conditions different from those recommended, ECODORA is available to appraise every aspect of the application context (compatibility of the materials used with the fluid, temperature of use, working pressure, etc.) together with the customer for identifying the right hose for each specific case.

The hoses mounted on the hose reels must support the max working pressure indicated on the label of each hose reels.



Fluids	Materials					
	Galvanised steel	Brass	Polyurethane	Viton	Teflon	NBR
Acetate solvent	A	-	D	A	A	B
Acetic acid	-	-	-	A	A	B
Acetic acid, glacial	A	D	D	D	A	D
Acetone	-	-	-	A	A	B
Acetyl chloride (dry)	A	D	C	C	A	C
Acetylene	A	D	C	D	A	D
Adipic acid	-	-	-	A	A	B
Alcohols: ethyl	D	D	C	A	A	A
Alcohols: methyl	-	B	D	A	A	D
Ammonia (10%)	-	D	A	A	A	A
Ammonia, anhydrous	D	D	D	-	A	D
Ammonia, liquid	-	-	-	-	A	D
Ammonium bifluoride	-	C	C	A	A	D
Ammonium carbonate	-	C	A	A	A	B
Ammonium chloride	-	-	-	-	-	C
Ammonium nitrate	D	D	A	A	A	A
Ammonium oxalate	-	D	C	A	A	D
Ammonium persulfate	-	D	C	A	A	C
Ammonium phosphate dibasic	-	D	B	A	A	C
Ammonium phosphate monobasic	-	-	-	D	D	D
Ammonium phosphate tribasic	D	D	D	D	A	D
Ammonium sulfate	-	-	D	A	A	D
Ammonium thiosulfate	-	A	D	A	A	D
Antifreeze	-	D	D	A	A	D
Aqua regia (80% hci, 20% hno3)	-	D	-	A	A	B
Aromatic hydrocarbons	-	D	D	-	A	D
Arsenic acid	-	D	-	-	A	D
Beer	-	D	D	A	A	D
Benzene	-	D	-	A	A	D
Benzoic acid	-	D	B	-	A	A
Bitumen	-	D	B	A	A	B
Bleach	D	D	D	B	A	D
Bleaching liquors	-	D	B	A	A	D
Boric acid	-	D	C	A	A	D
Brake fluid	D	-	D	A	A	C
Butane	-	-	-	A	A	A
Butanol	-	-	-	-	A	-

A ▶ excellent compatibility
B ▶ good compatibility

C ▶ poor compatibility, not recommended
D ▶ no compatibility, not recommended

1 ▶ satisfactory up to 22°C
2 ▶ satisfactory up to 48°C

- ▶ not available

Chemical compatibility table

Fluids	Materials					
	Galvanised steel	Brass	Polyurethane	Viton	Teflon	NBR
Butter	D	B	-	A	A	B
Buttermilk	-	-	-	B	A	B
Butyric acid	B	D	-	A	A	D
Calcium bisulfide	-	D	-	A	A	B
Calcium carbonate	D	D	C	A	A	D
Calcium chloride	D	D	C	A	A	D
Calcium hydroxide	D	D	C	A	A	D
Calcium hypochlorite	D	D	D	A	A	D
Calcium nitrate	C	-	B	B	A	B
Calcium sulfate	-	D	A	A	A	A
Cane juice	-	-	D	A	A	D
Carbolic acid (phenol)	-	D	B	A	A	C
Carbonated acid	-	-	-	A	A	D
Carbonic acid	-	D	D	A	A	D
Chlorine (anhydrous liquid)	-	D	D	A	A	D
Chlorine (dry)	-	D	D	A	A	D
Chlorine water	D	D	D	-	A	D
Chloroacetic acid	C	B	A	A	A	A
Chlorobenzene	D	B	A	A	A	A
Chlorobromomethane	-	-	D	D	A	D
Chlorosulfonic acid	-	-	-	A	-	A
Chocolate syrup	-	-	-	A1	A2	A1
Chromic acid 5%	-	-	-	A	A	D
Chromic acid 50%	-	A	A	A	A	A2
Cider	-	-	-	A	A	A
Citric acid	D	B	A	A	A	A
Coffee	D	B	A	A	A	A
Copper chloride	-	A	-	A	A	A
Copper nitrate	-	A	A	A	A	A
Cream	-	-	-	B	A	A
Cresylic acid	A	B	D	D	A	C
Cutting oil	A	-	D	D	A	A
Cyanic acid	-	-	A	A	A	A
Diesel fuel	-	D	D	D	A	A
Distilled water	-	D	D	D	A	B
Dyes	-	D	B	D	A	C
Engine oil	-	-	-	A	A	A

A ▶ excellent compatibility
B ▶ good compatibility

C ▶ poor compatibility, not recommended
D ▶ no compatibility, not recommended

1 ▶ satisfactory up to 22°C
2 ▶ satisfactory up to 48°C

- ▶ not available

Fluids	Materials					
	Galvanised steel	Brass	Polyurethane	Viton	Teflon	NBR
Ethyl acetate	B	-	-	B	A	B
Ethyl chloride	D	D	A	A	A	B
Ethyl sulfate	-	D	-	A	A	A
Fatty acids	A	D	-	A	A	A
Ferric chloride	A	D	-	A	A	A
Ferrous chloride	-	D	-	-	A	A
Fluoboric acid	D	-	D	A	A	A
Fluosilicic acid	A	-	-	-	-	A
Formic acid	A	-	D	A	A	D
Freon 113	C	D	A	-	A	A
Freon 12	A	A	A	A	A	A
Freon 22	-	-	-	A	-	A
Freon tf	D	A	D	A	A	D
Fresh water	A	A	D	A	A	C
Fruit juice	A	A	D	A	A	A2
Fuel oils	A	A	D	A	A	A1
Gallic acid	-	-	D	A	A	A
Gasoline (high-aromatic)	D	-	D	A	A	D
Gasoline, leaded	-	-	A	A	A	A
Gasoline, unleaded	-	-	A	A	A	A
Gelatin	-	-	-	A	A2	A
Glue (p.V.A.)	-	-	D	A	A	A
Glycerin	-	-	-	A	A1	A
Glycolic acid	-	-	A	A	A	A
Grape juice	-	D	-	A	A	A
Grease	-	D	A	A	A	A
Honey	-	C	A	A	A	A
Hydraulic oil (petro)	-	C	D	A	A	C
Hydraulic oil (synthetic)	-	-	A	A	A	B
Hydrchloric acid (37% - cold)	-	-	-	A	A	A
Hydrobromic acid 100%	D	D	D	A	A	D
Hydrochloric acid (20%)	A	A	C	A	A	A
Hydrochloric acid (37% - hot)	-	-	D	A	A	D
Hydrofluoric acid 20%	-	-	-	A	A	D
Hydrofluoric acid 50%	C	B	D	A	A	D
Hydrofluoric acid 75%	-	-	D	A	A	D
Hydrofluoric acid concentrated	-	B	D	B	A	D

A ▶ excellent compatibility
B ▶ good compatibility

C ▶ poor compatibility, not recommended
D ▶ no compatibility, not recommended

1 ▶ satisfactory up to 22°C
2 ▶ satisfactory up to 48°C

- ▶ not available

Chemical compatibility table

Fluids	Materials					
	Galvanised steel	Brass	Polyurethane	Viton	Teflon	NBR
Hydrofluosilicic acid	-	D	-	A	A	B
Hydrogen (gas)	D	D	B	A	A	A
Hydrogen peroxide	A	-	A	B	A	C
Hydroxyacetic acid	-	-	-	A	-	-
Ink	A	A	B	A	A	A
Isooctane	-	-	-	A	-	A
Jet fuel (jet a1)	C	A	D	D	A	D
Kerosene	D	-	C	A	A	A
Lacquer solvent	-	-	-	-	A	-
Lacquers	-	D	D	A	A	A
Lactic acid	-	-	B	C	A	A
Latex	-	A	A	B	A	A
Lime	-	-	D	D	A	-
Linoleic acid	-	-	A	-	A	A
Magnesium nitrate	-	-	-	A	A	A
Magnesium carbonate	-	A	A	A	A	A
Magnesium chloride	-	-	-	A	A	A
Magnesium hydroxide	-	-	-	A	A	A2
Magnesium oxide	A	A	A	A	A	A
Magnesium sulfate	-	-	D	A	A	D
Maleic acid	-	D	A	A	A	A
Malic acid	D	D	C	A	A	B
Mash	-	-	-	A	A	A
Mayonnaise	-	A	B	A	A	A
Mercury	A	A	C	A	A	A
Mercury chloride (dilute)	-	A	-	D	A	D
Mercury cyanide	-	-	-	A	A	A1
Methane	-	-	-	A	A	A
Methanol	D	-	D	A	A	A
Methyl acetone	A	A	D	D	A	D
Methyl acrylate	-	-	-	-	A	A
Methyl bromide	C	-	A	A	A	A
Methyl chloride	B	B	A	A	A	A
Methyl dichloride	-	-	-	A	A	A
Methyl ethyl ketone	-	-	-	A	A	A
Methyl methacrylate	B	-	-	A	A	A
Milk	-	-	-	A	A	C

A ▶ excellent compatibility
B ▶ good compatibility

C ▶ poor compatibility, not recommended
D ▶ no compatibility, not recommended

1 ▶ satisfactory up to 22°C
2 ▶ satisfactory up to 48°C

- ▶ not available

Fluids	Materials					
	Galvanised steel	Brass	Polyurethane	Viton	Teflon	NBR
Mineral spirits	-	-	-	A	-	A
Molasses	-	-	D	A	A	A
Naphta	-	D	A	A	A	A
Naphtalene	-	D	-	A1	A	A
Nitric acid (20%)	-	D	-	A	A	A
Nitric acid (50%)	A	B	B	A	A	A
Nitric acid (5-10%)	-	B	D	C	A	A
Nitric acid (concentrated)	A	-	-	D	A	D
Oils: aniline	-	-	D	B	A	D
Oils: anise	-	B	-	D	A	D
Oils: bay	-	-	D	A	A	D
Oils: bone	-	-	-	A	A	B
Oils: castor	-	-	D	D	A	D
Oils: cinnamon	-	-	-	D	A	D
Oils: clove	-	-	-	A	A	A
Oils: coconut	-	-	-	A	A2	A
Oils: cod liver	-	B	C	A	A	B
Oils: corn	-	B	-	A	A	D
Oils: cottonseed	-	B	-	A	B	A
Oils: creosote	-	A	-	A	A	A
Oils: diesel fuel (20,30,40,50)	-	B	-	B	A	B
Oils: fuel (1, 2, 3, 5a, 5b, 6)	-	B	-	A	A	A
Oils: ginger	-	-	-	A	-	-
Oils: limon	-	-	-	-	-	-
Oils: linseed	-	-	-	C	A	D
Oils: mineral	-	-	-	A	A	A
Oils: olive	-	-	-	A	-	A
Oils: orange	-	-	-	A	A	-
Oils: palm	-	-	-	A	A	A
Oils: peanut	-	-	-	A	-	A
Oils: peppermint	-	-	-	A	A	D
Oils: pine	-	-	-	A	A	A
Oils: rapeseed	-	-	-	A	A	A
Oils: rosin	-	-	-	A	A	-
Oils: sesame seed	-	B	-	A	A	A
Oils: silicone	-	-	-	B	A	D
Oils: soybean	-	-	-	A	A	D

A ▶ excellent compatibility
B ▶ good compatibility

C ▶ poor compatibility, not recommended
D ▶ no compatibility, not recommended

1 ▶ satisfactory up to 22°C
2 ▶ satisfactory up to 48°C

- ▶ not available

Chemical compatibility table

Fluids	Materials					
	Galvanised steel	Brass	Polyurethane	Viton	Teflon	NBR
Oils: sperm (whale)	-	-	-	A	A1	D
Oils: tanning	-	-	-	A	A	A
Oils: transformer	-	-	-	A	A	D
Oils: turbine	-	-	B	A	A	D
Oleic acid	-	-	-	A	A	A
Palmitic acid	-	-	A	A	A	B
Perchloric acid	-	-	-	A	A	A
Petrolatum	-	-	-	A	A	A
Petroleum	-	-	-	A	A	A
Phosphoric acid (<40%)	D	-	-	A	A	A
Phosphoric acid (>40%)	-	-	-	A	A	A
Photographic solutions	-	-	-	A	A	A
Picric acid	-	-	-	A	A	A
Potassium bicarbonate	A	A	A	A	A	A
Potassium bromide	A	A	A	A	A	A
Potassium chlorate	A	A	A	A	A	A
Potassium chloride	A	A	A	A	A	A
Potassium chromate	A	-	-	A	A	A
Potassium cyanide solutions	A	-	-	A	A	B
Potassium dichromate	-	-	-	A	A	A
Potassium hydroxide (caustic potash)	-	A	-	A2	A2	A2
Potassium nitrate	-	-	-	A	A	A
Potassium permanganate	C	D	A	A	A	A
Potassium sulfate	D	-	-	A	A	A
Propane (liquefied)	B	D	A	A	A	A
Pyrogalllic acid	-	-	-	A	A	A
Rosins	B	D	A	A	A	A
Rum	-	-	-	A	A	A
Rust inhibitors	-	-	B	D	A	B
Salad dressings	-	B	A	A	A	A
Salt brine	-	-	-	A	A	B
Salt water	B	B	A	A	A	A
Sea water	-	A	B	A	A	A
Sewage (black water)	-	D	A	A	A	A
Shellac (bleached)	-	-	-	A	A	A
Shellac (orange)	D	-	-	A	A	A2
Silicone	-	-	D	A	A	A

A ▶ excellent compatibility
B ▶ good compatibility

C ▶ poor compatibility, not recommended
D ▶ no compatibility, not recommended

1 ▶ satisfactory up to 22°C
2 ▶ satisfactory up to 48°C

- ▶ not available

Fluids	Materials					
	Galvanised steel	Brass	Polyurethane	Viton	Teflon	NBR
Soap solutions	-	-	C	B	A	C
Soda ash (sodium carbonate)	-	-	-	A	A	A
Sodium aluminate	-	-	B	A	A	A
Sodium bicarbonate	-	-	-	A	-	A
Sodium bisulfate	-	A	A	A	A	A
Sodium bisulfite	-	-	-	A	A	A
Sodium carbonate	-	-	-	A	A	A
Sodium chlorate	-	-	-	A	A	A
Sodium chloride	-	-	-	A	A	A
Sodium chromate	-	D	-	A	A	A1
Sodium cyanide	C	-	-	A	A	A
Sodium hydroxide (20%)	C	-	-	A	A	A
Sodium hydroxide (50%)	D	-	-	A	A	A
Sodium hydroxide (80%)	-	-	-	A	A	A
Sodium hypochlorite (<20%)	B	B	-	A	A	A
Sodium metasilicate	B	D	-	A	A	A
Sodium nitrate	C	-	-	A	A	A
Sodium perborate	C	D	A	A	A	A
Sodium peroxide	B	B	-	A	A	A
Sodium silicate	-	-	B	A	A	A
Sodium sulfate	-	-	B	A	A	D
Sodium sulfide	-	-	B	B	A	D
Sodium tetraborate	-	D	D	C	A	D
Sodium thiosulfate	C	-	-	A	A	A
Soy sauce	B	-	-	A	A	C
Stannic chloride	B	-	-	A	A	B
Starch	C	D	D	A	A	C
Stoddard solvent	B	-	-	A	A	A
Sulfuric acid (<10%)	B	-	A	A	A	A
Sulfuric acid (10-75%)	B	D	A	A	A	A
Sulfuric acid (75-100%)	-	-	-	A	A	A
Sulfurous acid	-	-	A	A	A	B
Tannic acid	-	-	-	B1	A2	B
Tartaric acid	-	-	-	A	A	D
Toluene	-	-	D	D	A	D
Tomato juice	A	A	A	A	A	B
Trichloroacetic acid	-	-	D	B	A	D

A ▶ excellent compatibility
B ▶ good compatibility

C ▶ poor compatibility, not recommended
D ▶ no compatibility, not recommended

1 ▶ satisfactory up to 22°C
2 ▶ satisfactory up to 48°C

- ▶ not available

Chemical compatibility table

Fluids	Materials					
	Galvanised steel	Brass	Polyurethane	Viton	Teflon	NBR
Turpentine	-	-	D	A	A	A
Urea	-	-	-	A	A	A
Urine	-	-	-	A	A	A2
Varnish	A	A	D	B	A	D
Varnish (xylene based)	-	A	-	A	A	B
Varnish diluted	B	B	D	A	A	A
Vegetable juice	-	-	-	A	A	B
Vinegar	-	-	-	A1	A1	A1
Water, acid, mine	-	-	-	A	C	A
Water, deionized	A	A	D	D	A	D
Weed killers	-	A	D	A	A	D
Whiskey and wine	-	-	-	A	A	A

A ▶ excellent compatibility
B ▶ good compatibility

C ▶ poor compatibility, not recommended
D ▶ no compatibility, not recommended

1 ▶ satisfactory up to 22°C
2 ▶ satisfactory up to 48°C

- ▶ not available

Index P/N for fixed hose reels

P/N	Page	P/N	Page	P/N	Page
OE7522001/100	8	OE77/26975	26	721901/40	24
OE7522001/150	8	OE77/26975B	26	741001/10	16
OE7522001/200	8	OE77/2F	27	741001/40	16
OE7522001/250	8	OE77/32775	26	741301/10	18
OE7522001/300	8	OE77/32775B	26	741301/40	18
OE7522001/400	8	OE77/34175	26	741601/10	20
OE7522001/450	8	OE77/34175B	26	741601/40	20
OE7532001/100	8	OE77/35575	26	741702/10	20
OE7532001/150	8	OE77/35575B	26	741702/40	20
OE7532001/200	8	OE77/36975	26	741801/10	22
OE7532001/250	8	OE77/36975B	26	741801/40	22
OE7532001/300	8	617/100	10	741901/10	24
OE7532001/400	8	617/200	10	741901/40	24
OE7532001/450	8	617/400	10	751001/10	16
OE7552001/100	8	617/500	10	751001/40	16
OE7552001/150	8	617/600	10	751301/10	18
OE7552001/200	8	618/100	11	751301/40	18
OE7552001/250	8	618/200	11	751601/10	20
OE7552001/300	8	618/400	11	751601/40	20
OE7552001/400	8	618/500	11	751702/10	20
OE7552001/450	8	618/600	11	751702/40	20
OE7562001/100	8	637/100	10	751801/10	22
OE7562001/150	8	637/200	10	751801/40	22
OE7562001/200	8	637/400	10	751901/10	24
OE7562001/250	8	637/500	10	751901/40	24
OE7562001/300	8	637/600	10	771001/10	16
OE7562001/400	8	638/100	11	771001/40	16
OE7562001/450	8	638/200	11	771301/10	18
OE77/12775	26	638/400	11	771301/40	18
OE77/12775B	26	638/500	11	771601/10	20
OE77/14175	26	638/600	11	771601/40	20
OE77/14175B	26	721001/10	16	771702/10	20
OE77/15575	26	721001/40	16	771702/40	20
OE77/15575B	26	721301/10	18	771801/10	22
OE77/16975	26	721301/40	18	771801/40	22
OE77/16975B	26	721601/10	20	771901/10	24
OE77/22775	26	721601/40	20	771901/40	24
OE77/22775B	26	721702/10	20		
OE77/24175	26	721702/40	20		
OE77/24175B	26	721801/10	22		
OE77/25575	26	721801/40	22		
OE77/25575B	26	721901/10	24		



ECODORA

NOTES



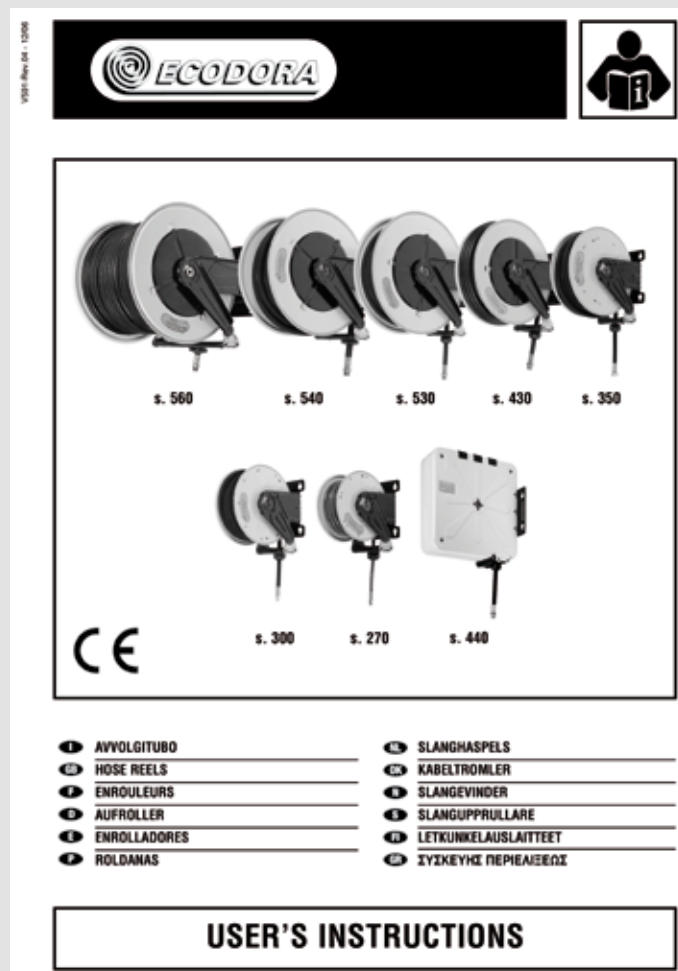
A large rectangular area with horizontal dotted lines, intended for writing notes.

Guide to ordering spare parts

You can easily make your spare parts orders by consulting **Ecodora Spare Parts Catalogue** illustrating for each model of hose reel the **exploded view of each item and spare parts guide**.

The **spare parts guide** is subdivided in 3 columns:

- ▶ List of spare parts kit (code KR) : a KR includes a group of selected parts shown with the same colour in the exploded view; the spare parts composing the kit can't be supplied separately except those with a proper code indicated in the exploded view.
 - ▶ List of spare parts that can be supplied separately.
 - ▶ Joints gaskets list shown on the exploded view.
- ⚠ Attention: check carefully swivel joint and pressure indicated on the label to order the suitable gaskets depending on type of utilisation.



Each Hose Reel package contain User's Instructions.

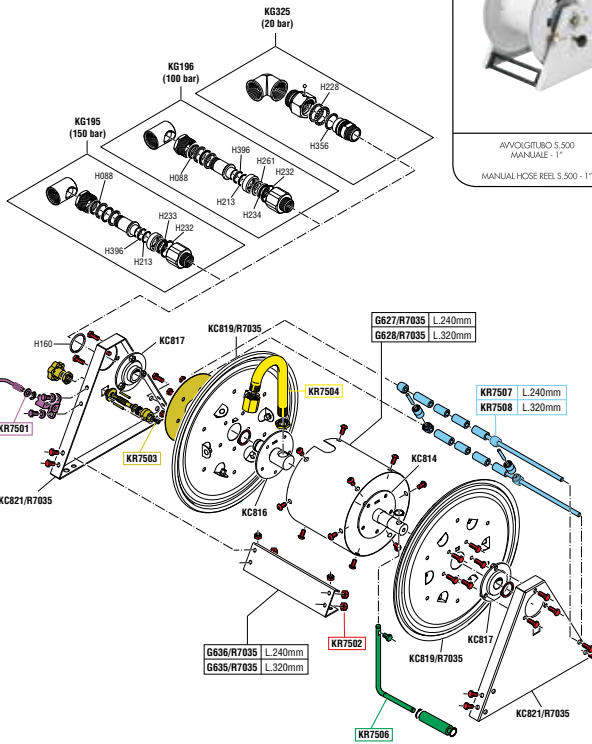
Spare parts guide



Art. 0E7522001/100 Mod. 752-RM-20 bar-1" - Art. 0E7532001/100 Mod. 753-RM-20 bar-1"
 Art. 0E7522001/200 Mod. 752-RM-100 bar-1" - Art. 0E7532001/200 Mod. 753-RM-100 bar-1"
 Art. 0E7522001/400 Mod. 752-RM-150 bar-1" - Art. 0E7532001/400 Mod. 753-RM-150 bar-1"

VISTA ESPLOSA - EXPLODED VIEW

VISTA ESPLOSA PER AVVOLGITUBO larghezza 240 mm e 320 mm
 EXPLODED VIEW FOR HOSE REEL WIDTH 240 MM AND 320 MM



GUIDA RICAMBI - SPARE PARTS GUIDE

KIT RICAMBI
 CON KIT SOTTO, RICERCO COMPRESI I RICAMBI EVIDENZIATI CON
 LO STESSO COLORE E LE RELATIVE QUANTITÀ. QUESTI RICAMBI
 NON SONO NOMINATI SEPARATAMENTE TRAMITE QUESTI CODICI.

SPARE PARTS KITS
 EACH KIT SHOWN WITH THE SAME COLOR INCLUDES ALSO THE
 GASKETS. THE SPARE PARTS INCLUDED IN THE KIT CAN'T BE SUPPLIED
 SEPARATELY EXCEPT THOSE SHOWN WITH A REDDER CODE.

CODICE CODE	DESCRIZIONE DESCRIPTION	Q.TA QTY
KR7501	KIT FRENO AVVOLGITUBO MANUALE BRAKE HOSE REEL MANUAL KIT	1
KR7502	KIT FRENO AVVOLGITUBO MANUALE SET OF SCREWS FOR MANUAL HOSE REEL	1
KR7503	KIT FRENO CUSHION KIT	1
KR7504	KIT TUBO DI RACCORDO FITTING KIT	1
KR7506	KIT MANICHERIA CRANK KIT	1
KR7507	KIT FORA BULLI L. 240 mm ROBBER HOLES KIT L. 240 mm	1
KR7508	KIT FORA BULLI L. 320 mm ROBBER HOLES KIT L. 320 mm	1

ELENCO RICAMBI FORNIBILI SINGOLARMENTE
 LIST OF SPARE PARTS WHICH CAN BE SUPPLIED SEPARATELY

CODICE CODE	DESCRIZIONE DESCRIPTION	Q.TA QTY
G427/R7035	SNOCO MANUBRIO (4x 0E7522001/100/200/400) HANDLE SHAFT (4x 0E7522001/100/200/400)	1
G428/R7035	SNOCO MANUBRIO (4x 0E7532001/100/200/400) HANDLE SHAFT (4x 0E7532001/100/200/400)	1
G435/R7035	FRANEO (4x 0E7522001/100/200/400) BUSH (4x 0E7522001/100/200/400)	1
G436/R7035	FRANEO (4x 0E7532001/100/200/400) BUSH (4x 0E7532001/100/200/400)	1
KC814	FRENO CENTRALE LADO MANICHERIA CENTRAL SIDE CRANK PIN	1
KC816	FRENO CENTRALE LADO FRENO CENTRAL SIDE BRAKE PIN	1
KC817	SUPPORTO CON CUSCINETTO SUPPORT BEARING	1
KC819/R7035	CALZIO MANUBRIO SHAFT COVER	2
KC821/R7035	SMIPA SOSTEGNO AVVOLGITUBO HOSE REEL SUPPORT BRACKET	2
KG195	SNOCO OLIO (100 bar) JOINT OIL AND SWALE - 100 bar	1
KG196	SNOCO ACCIAIO (130°C - 100 bar) JOINT WATER WALL 130°C - 100 bar	1
KG325	SNOCO ALBA - ACCIAIO - 30 bar JOINT AIR - WATER - 30 bar	1

ELENCO GUARNIZIONI SNODI
 JOINTS GASKETS LIST

CODICE CODE	DESCRIZIONE DESCRIPTION	Q.TA QTY
H088	O-RING 210x 70x5	1
H140	O-RING 205	1
H213	O-RING 205 "VITON"	1
H228	O-RING 412 "VITON"	1
H232	O-RING 313	1
H233	O-RING 302	1
H234	O-RING 307 "VITON"	1
H261	RODIELLA IN "PTEE" PISTON WASHER	1
H356	O-RING 316x "VITON"	1
H396	RODIELLA IN "PTEE" PISTON WASHER	1

Exploded view

First list:
 KR=spare parts kit

Second list:
 spare parts with a proper code that it is possible to order separately

Third list:
 joints gaskets list on the exploded view

www.ecodora.com - info@ecodora.com

CE Made in Italy

General sales conditions

For foreign markets

The following general sales conditions regulate the sale of goods and services by the company ECODORA S.r.l. for customers residing outside the territory of the Italian State.

Art. 1 GOODS DELIVERY TERMS

The goods are delivered ex works ECODORA S.r.l..

The subsequent transport/shipment must occur by, in the name and at the expense of the purchasing customer, even by means of carrier designated by the same. All risks arising from loading, subsequent custody and transport are borne entirely by the purchasing customer.

Art. 2 MINIMUM ORDERS

Each order cannot be for less than €. 1,500.00, net of taxes, discounts and rebates. If, at the option of ECODORA S.r.l., orders for lower amounts are accepted, an extra charge of €. 155.00 shall be applied for order management administrative expenses.

Art. 3 ACCESSORIES

All the accessories given in the price list (plugs, oil bar taps, oil guns, grease guns, probes, etc.) are supplied exclusively for fitting to or combining with the items ECODORA S.r.l. produces.

Art. 4 COMPLAINTS

Any defects immediately noticed after a brief inspection of the goods (damage, shortages or different product from that ordered) must be notified in writing to our company within 8 (eight) days of receipt the goods.

Any defects in the product noticeable only during its use must be notified in writing to ECODORA S.r.l. within 8 (eight) days of being detected.

Any returns of goods must be authorized in advance by ECODORA S.r.l. and freight charges are at the customer's expenses.

Art. 5 DELIVERY TIMES/TERMS

Delivery times and dates are only approximate and are subject to change.

Any delays in delivery do not entitle the customer to cancel the order or claim compensation for damages caused by delay of delivery.

Delivery times for urgent orders must be agreed directly by ECODORA S.r.l..

ECODORA S.r.l. has the right not to carry out the order and/or totally or partially carry it out, without this giving rise to reimbursement or claims for compensation for damage.

Art. 6 PACKS AND PACKAGING

Packaging costs are included in the price, except for special packing, which shall be charged at cost.

Art. 7 PRICES

The current Price list cancels and replaces the previous price list. In the event of changes to our price list and/or individual items, the goods shall be forwarded at the price in force on the day of delivery. The price list and/or the prices of individual items can be changed even without notice, according to the changes in market conditions or technical innovations/modifications made to the product. The prices are understood to be ex works ECODORA S.r.l..

Art. 8 PAYMENTS

Payments must be made exclusively to ECODORA S.r.l. at the agreed conditions. Under no circumstances will deductions or roundings be accepted.

In case of late payment with respect to the agreed conditions, ECODORA S.r.l. reserves the right to charge interest at the current rate, effective from the day after that agreed for payment, plus any additional expenses. Discounts conditional on the payment term and already credited shall be recharged.

Art. 9 WARRANTY

ECODORA S.r.l. provides each product with the communication of particular instructions for the installation, use and maintenance requirements and the need to carry out possible checks on the product. Incorrect installation, use or maintenance of the product shall void the warranty. The articles must be returned free to our Factory for checking and acceptance. All the technical information and data mentioned in the catalogue and in the price-list in force are not binding and can be changed without prior notice for the purpose of improving the quality of the products.

All products manufactured by ECODORA S.r.l. are guaranteed for a period of 5 (five) years. The 5 (five) year guarantee does not apply to components which are subject to normal wear and tear (such as gaskets, membranes, O-rings, hoses, etc), electronic components and items that are sold but not manufactured by ECODORA S.r.l. (marked with an asterisk in the current product catalogue) which are guaranteed for 1 (one) year.

Art. 10 RESPONSIBILITY

ECODORA S.r.l. is exempt from any responsibility and liability for accidents that may occur to persons and property, as a result of or during the use of the equipment, due to or depending on the same whenever the products have been damaged during transport, tampered with or modified, or improperly used, or stored, installed, protected and preserved without complying with the instructions of ECODORA S.r.l. as given in the installation, use and maintenance instruction manuals for each product.

ECODORA S.r.l. is liable for the value for the supplied product and cannot be held responsible in any way for other possible costs or additional costs that the customer may bear.

Art. 11 COMPETENT LAW COURT

Any disputes shall be settled by the Law Court of Vicenza, Italy.





The Intellectual Property rights to the trademark ECODORA are exclusive and all rights to its use and reproduction are reserved.

The ECODORA trademark is a protected trademark at an international level. No part of the ECODORA trademark and its logo may be utilized, copied and/or used in any form, time and space, even by means of improper alterations.

The Intellectual Property rights on the images published in this catalogue are owned exclusively by ECODORA S.r.l. and any unauthorized reproduction is prohibited.

Any use in general of the assets protected by the Intellectual Property rights of the trademark ECODORA is prohibited and is subject to the prior written permission of ECODORA S.r.l..

The manufacturer declines any responsibility for possible inaccuracies contained in this catalogue, due to printing or transcription errors.

The manufacturer reserves the right to make any changes or improvements of a functional, technical or aesthetic nature without prior notice.



Tutti i diritti sono riservati a Ecodora s.r.l.

Ecodora S.r.l.
Vicenza - Italy
tel. +39 0424 570891
fax +39 0424 571354
www.ecodora.com
info@ecodora.com



WECA2014A3-GB

CE Made in Italy