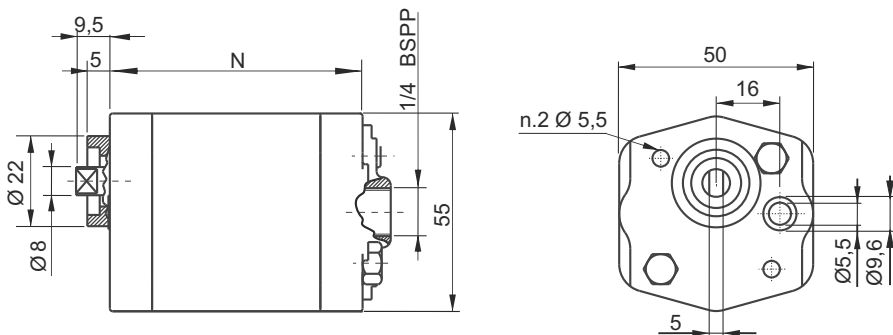


SECTION C

K TYPE GEAR PUMPS

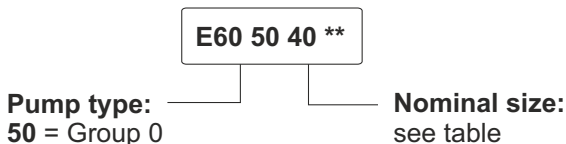


Main features

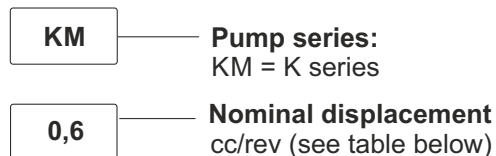
Oil temperature	-15 ÷ +80 °C
Inlet pressure	0,7 < P < 3,0 bar
Fixing bolts	2 x M5 8.8 steel class tightening torque: 25 Nm
Pressure definition	Peak pressure: cycle 2 s ON Intermittent pressure: cycle 20 s ON Continuous pressure: cycle always ON

Standard rotation direction: clockwise rotation (from shaft side).
Counterclockwise rotation pumps can be mounted on request.
Ask our sales department.

Spare part code



PPM assembly code



Available range

Nominal displacement [cc/rev]	Peak pressure [bar]	Intermittent pressure [bar]	Continuous pressure [bar]	Max speed [rpm]	N [mm]	Bolts* [mm]	Spare part code	Weight [Kg]
0,2	200	180	160	6000	45,5	M5x60	E60504002	0,33
0,4	200	180	160	6000	47,5	M5x65	E60504004	0,35
0,6	200	180	160	6000	51,5	M5x65	E60504006	0,40
0,9	200	180	160	5000	52,5	M5x70	E60504009	0,44
1,3	200	180	160	3900	55,5	M5x70	E60504013	0,49
1,5	200	180	160	3900	57,8	M5x70	E60504015	0,51

Other gear pumps with different pressure and speed available upon request.

* Washers may be fitted to adapt bolt length