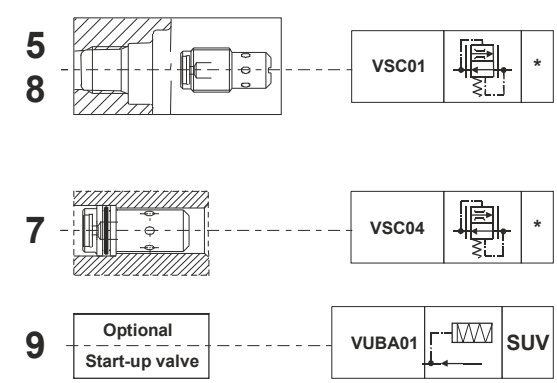
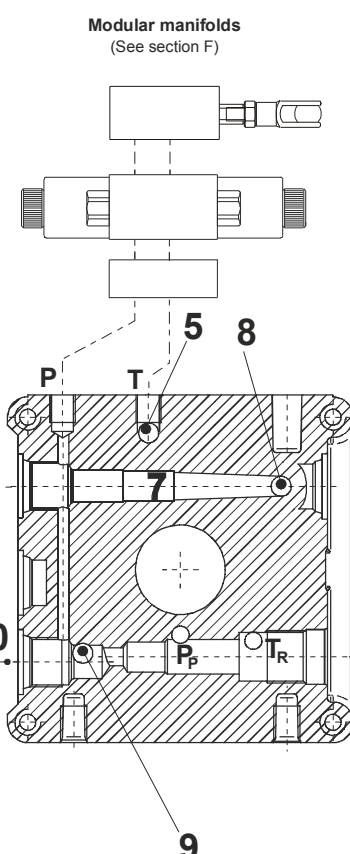
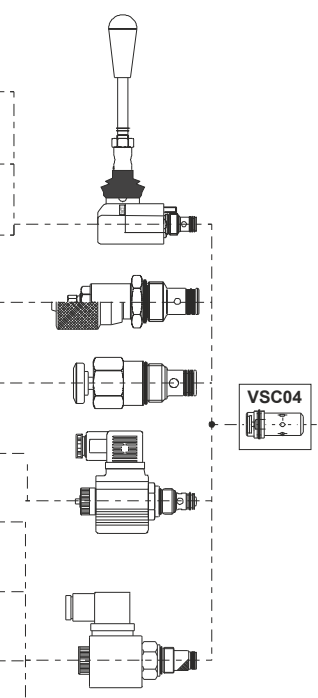


UNIVERSAL CENTRAL MANIFOLD «UA» EXECUTION VALVE COMBINATIONS

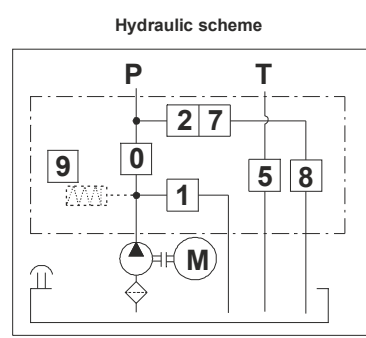
EM		CM04M
E		CM04
U		PMC02
S		CSB
Z		CPE
D		MDV30E
C		MSV31E
A		MSV30
B		MSV30E
T		CSPC15

G		E70100005
L		E70100004
P		E70100006
H		E70100003
N		E70100002
J		VUC20

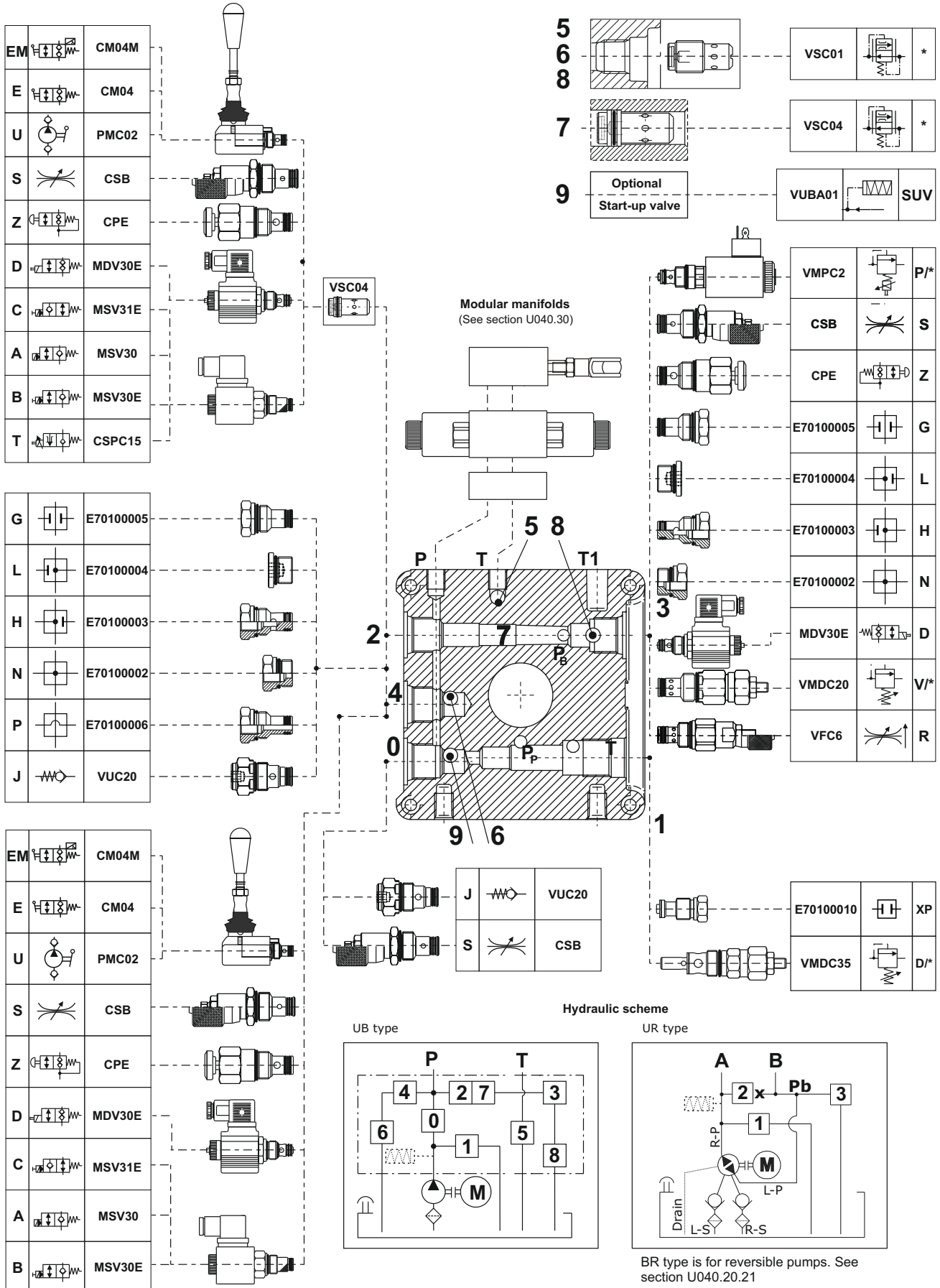
J		VUC20
S		CSB



E70100010		XP
VMD35		D/*

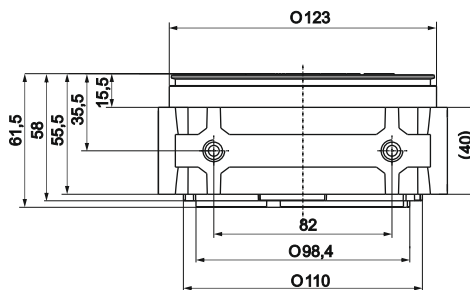


UNIVERSAL CENTRAL MANIFOLD «UB» AND «UR» EXECUTION VALVE COMBINATIONS

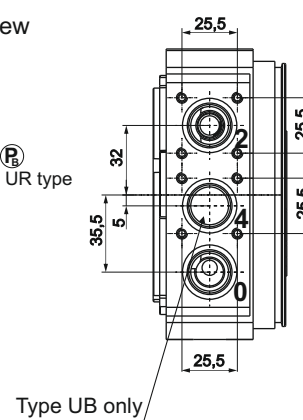
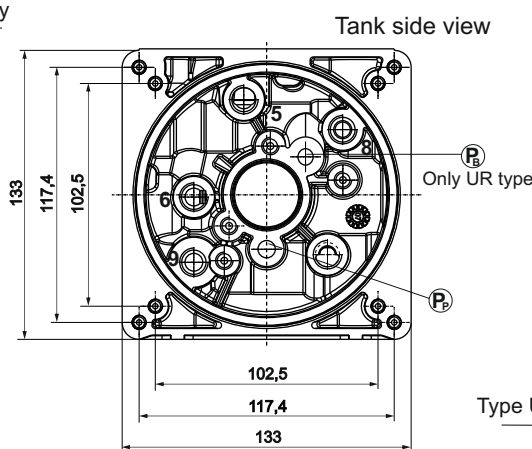
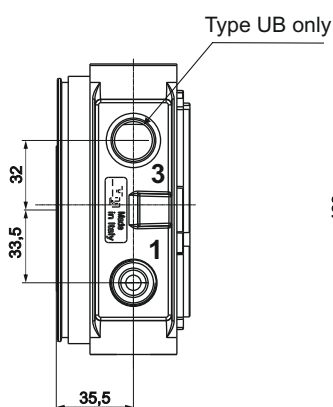


UNIVERSAL CENTRAL MANIFOLD OVERALL DIMENSIONS

Type	Spare part code
UA	E60104020
UB	E60104021
U4	E60104022
UR	E60104023



Weight: 1,10 kg



Cavity	Threads
1	M20x1,5 (relief valve)
0, 2, 3, 4	3/4-16 UNF
P-T	1/4" BSPP
T ₁	1/4" BSPP (threaded on request only)
5, 6, 8, 9	1/4" BSPP (9 threaded on request only)
External manifold attachment	2 pcs M8 tie-rods 4 pcs M6 tie-rods
Tanks attachment	4 pcs M6x14
Integral AC Motors attachment	4 pcs M8x25
DC Motors attachment	2 pcs M6x14 or M6 tie rods
Pump attachments	2 pcs M8 (see pump lenght on the relevant tables)
Foot mounting support attachments	2 pcs M10x18
PMC hand pump / CM lever valve cap attachments	2 pcs M5x45

