



BALL VALVES

128 3-way ball valve

Suitable for domestic water services, heating, air-conditioning plants and compressed air.



SIZE	PRESSURE	CODE	PACKING
1/4" (DN 8)	55bar/797.5psi	1280014L/T	4/32
3/8" (DN 10)	55bar/797.5psi	1280038L/T	4/32
1/2" (DN 15)	50bar/725psi	1280012L/T	4/32
3/4" (DN 20)	50bar/725psi	1280034L/T	2/16
1" (DN 25)	45bar/652.5psi	1280100L/T	2/16
1"1/4" (DN 32)	35bar/507.5psi	1280114L/T	2/12
1"1/2" (DN 40)	35bar/507.5psi	1280112L/T	2/8
2" (DN 50)	35bar/507.5psi	1280200L/T	2/4

CERTIFICATIONS



TECHNICAL SPECIFICATIONS

Female/female/female threads.

Lever handle in aluminium.

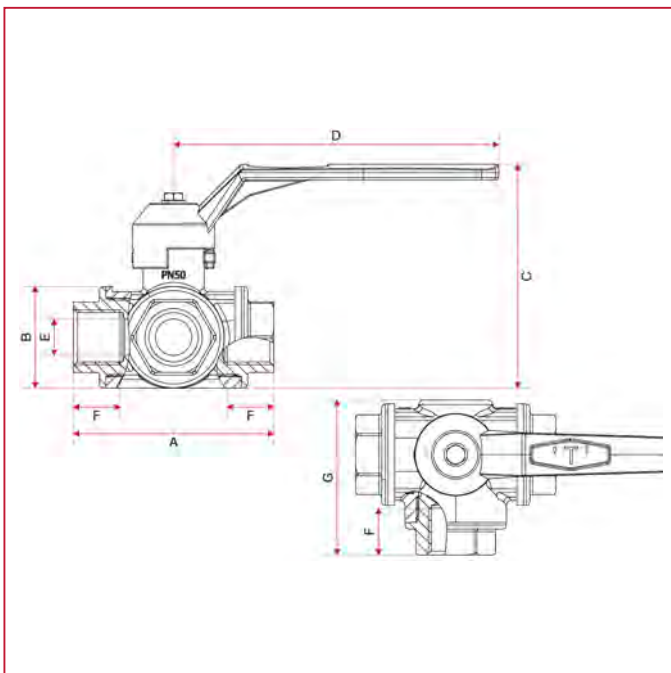
Body in nickel-plated brass.

Minimum and maximum working temperatures: -10°C, 120°C in absence of steam.

Threads: ISO 228 (equivalent to DIN EN ISO 228 and BS EN ISO 228).

Available with T or L ball. (Please, specify in the order).

OVERALL DIMENSIONS

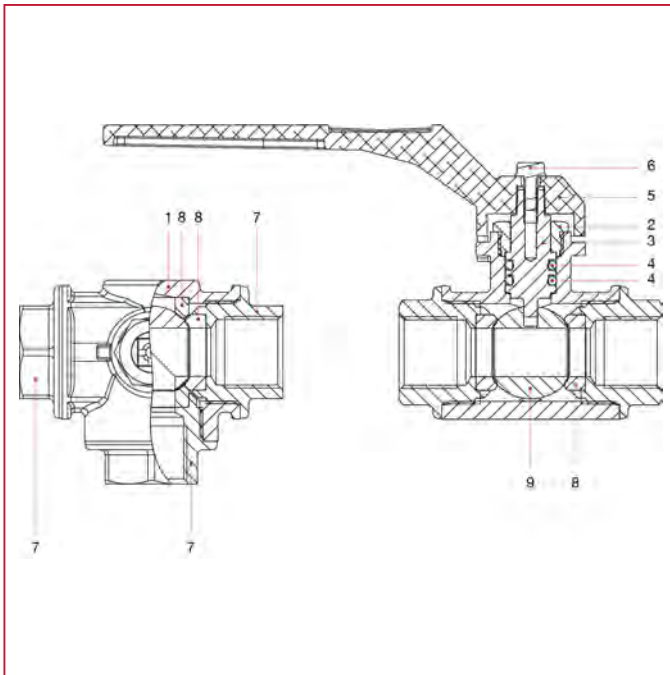




BALL VALVES

	1/4"	3/8"	1/2"	3/4"	1"	1"1/4	1"1/2	2"
DN	8	10	15	20	25	32	40	50
A	77	77	77	92	104	118,5	138	162
B	39	39	39	47	54,5	64,5	79	93,5
C	86	86	86	107	122,5	132	145,5	186
D	125	125	125	145	170	170	170	260
E	10	12	14	18	23	29	36	45
F	18	18	18	22	23	26	30	35
G	59,5	59,5	59,5	70	81	93	107,5	128
Kg/cm2 bar	55	55	50	50	45	35	35	35
LBS - psi	797,5	797,5	725	725	652,5	507,5	507,5	507,5

MATERIALS



POS.	DESCRIPTION	N.	MATERIAL
1	Body	1	Nickel-plated brass CW617N
2	Packing gland	1	Brass CW614N
3	Stem	1	Brass CW614N
4	O-ring	2	Viton®
5	Lever handel	1	Varnished aluminium
6	Screw	1	Zinc-plated steel
7	Female end adapter	3	Nickel-plated brass CW617N
8	Seat	4	P.T.F.E.
9	Ball	1	Chrome-plated brass CW617N