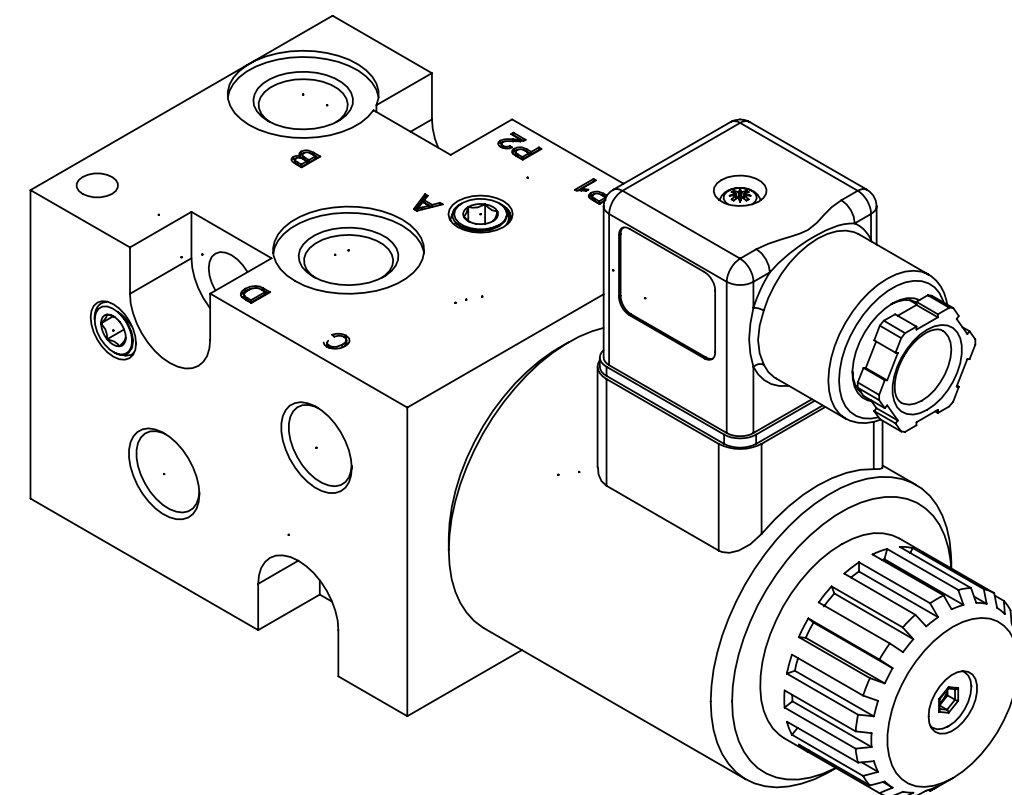
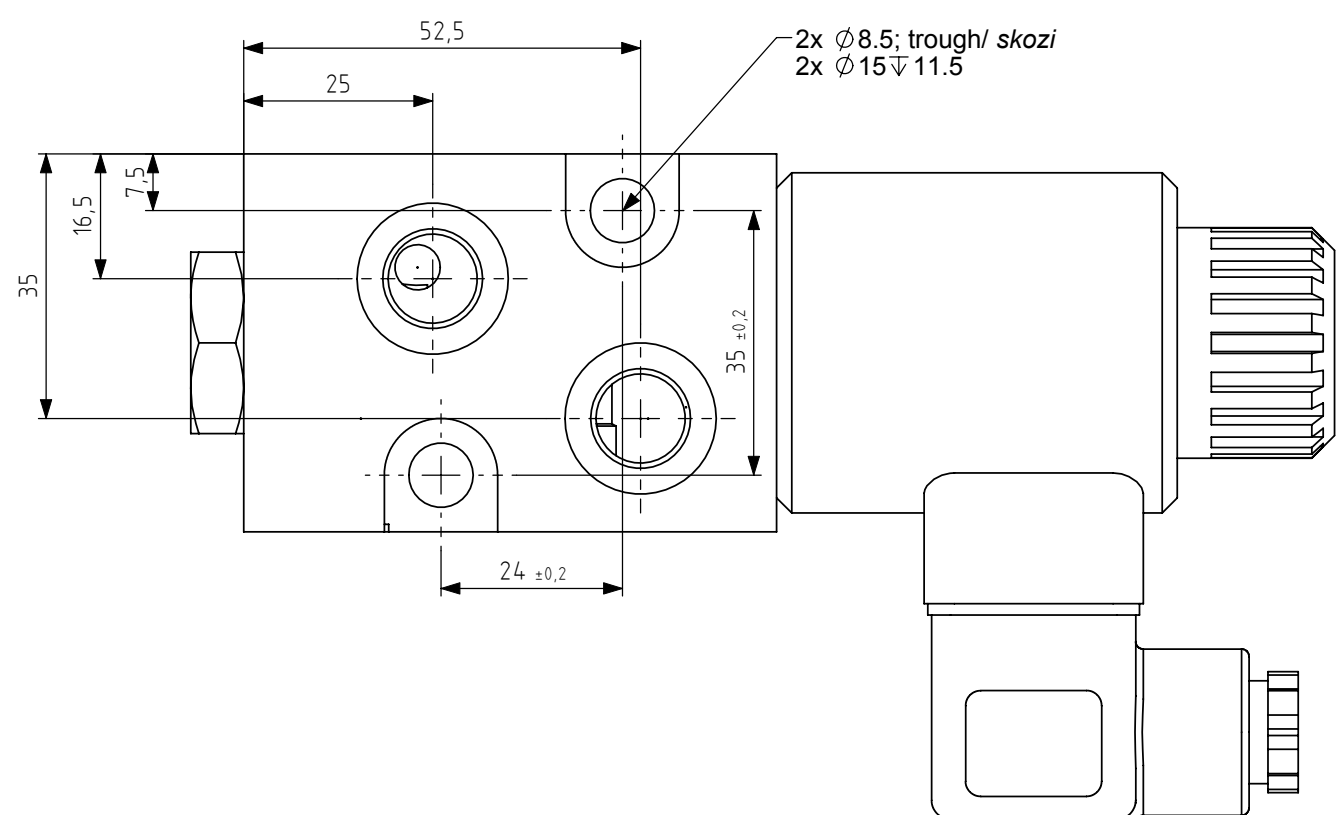
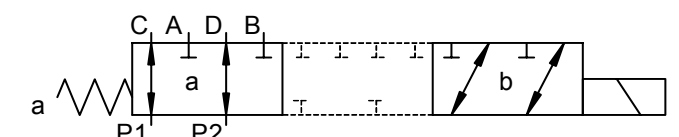


XXXXXXX	code / šifra
SXX	series / serija
MM.LL	month, year of making / mesec, leto izdelave



SYMBOL / SIMBOL:



**TEHNIČNI PODATKI / TECHNICAL DATA**

<b>HIDRAVLIČNI / HYDRAULIC</b>	
nazivna velikost / size	NG 4
delovni tlak / operating pressure	do / up to 210 bar
tok / flow rate	do / up to 20 l/min
temperatura olja / oil temperature range	od / from -20°C do / up to +70°C
viskoznost olja / oil viscosity range	od / from 15 mm <sup>2</sup> /s do / up to 380 mm <sup>2</sup> /s
čistoča olja / filtration	19/17/14 ISO 4406:1999
velikost priključkov / port size	G1/4 DIN 3852-1
<b>ELEKTRIČNI / ELECTRICAL</b>	
priključni konektor / connector type	EN 175301-803
napajalna napetost / supply voltage	12 V DC
moč / power	36 W
temperatura okolice / ambient temperature	do / up to +50°C
temperatura navitja / coil temperature	do / up to +180°C
trajanje vklopa / duty cycle	stalno / continuous

Kakovost površine Surface finish	ISO 1302	Splošne tolerance General tolerances	ISO 2768-mK	Splošne tolerance - ulitek General tolerances - casting	ISO 8062 - CT8	Tolerance geometrije Shape and position tolerance	ISO 1101	Temeljni principi toleriranja Fundamental tolerancing principle	ISO 8015
KlADIVAR, tovarna elementov za fluidno tehniko Ziri, d.o.o.		PH		Format / Format		Merilo / Scale		Velikost / Size (mm)	
All rights reserved. Refer to the protection notice ISO 16016		A2		1:1				Teža / Weight (kg):	
Kupec / Customer:		Sifra proizvoda / Product number:		Verzija / Version:		Projekt / Project:		1,80	
Kreirano / Created by:		19.07.2012		N. Bevk		Površinska zaščita / Surface protection:		2 200000505	
Narisano / Drawn by:		14.04.2014		N. Bevk		Toplotna obdelava / Thermal treatment:			
Sprejeto / Approved by:		14.04.2014		A. Burjek		RISBE / SLDDRW		Status dokumenta / Document status:	
ISO		2768		-m		Sestavna risba - Kladivar		Sproščeno	
Index		ECO		Datum / Date		Ime / Name		Sifra dokumenta / Document number:	
		ISO 13715		+0.2 +0.05		-0.2 -0.05		4016318	
SPREMEMBE / REVISIONS								Stran / Sheet:	
								1	
								Verzija / Version:	
								B	