



6/2 WAY DIRECTIONAL VALVES KV-6K

- NG 6
- Up to 250 bar [3 625 PSI]
- Up to 50 L/min [13.2 GPM]
- Direct in-line mounting.
- Plug-in connector for solenoids to ISO 4400.
- Threaded connections to ISO 9974 (Metric), ISO 1179 (BSPP/Gas), ISO 11926 (UNF).
- Protection of solenoid IP65 to EN 60529 / IEC 60529.
- Fulfil EMC (89/336/EEC).



KV-6K/2-6

Operation

Directional valves type KV-6K/2-6 with direct solenoid operation control the direction of the hydraulic medium flow.

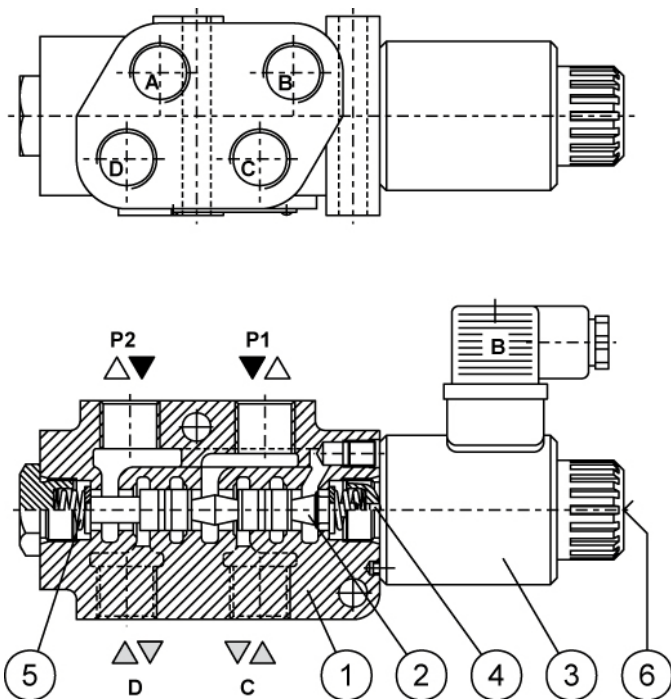
They are mostly used as link between two consumers and the basic directional valve, when we want to control both consumers alternately by means of one basic directional valve.

The KV-6K/2-6 type directional valves consist of a housing (1), a control spool (2), and a solenoid (3) with return spring (5).

Change-over to the operating position is done by energizing the solenoid (3), whereby the solenoid plunger acts on the control spool (2) via the operating pin (4), thus clearing the corresponding flow ways and establishing respective links between the ports P1, A,B and P2.

When the solenoid (3) is de-energized, the control spool (2) is returned to its neutral position by the return spring (5), thus establishing again the links between ports P1, C,D and P2.

The change-over can also be done manually by pressing the emergency manual override (6).

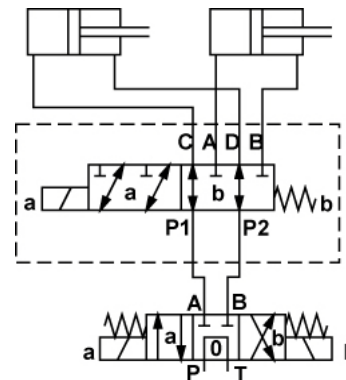


Hydraulic symbol

Spool type



Mounting example



Mechanically operated

Hydraulically operated

Electrically operated



Features

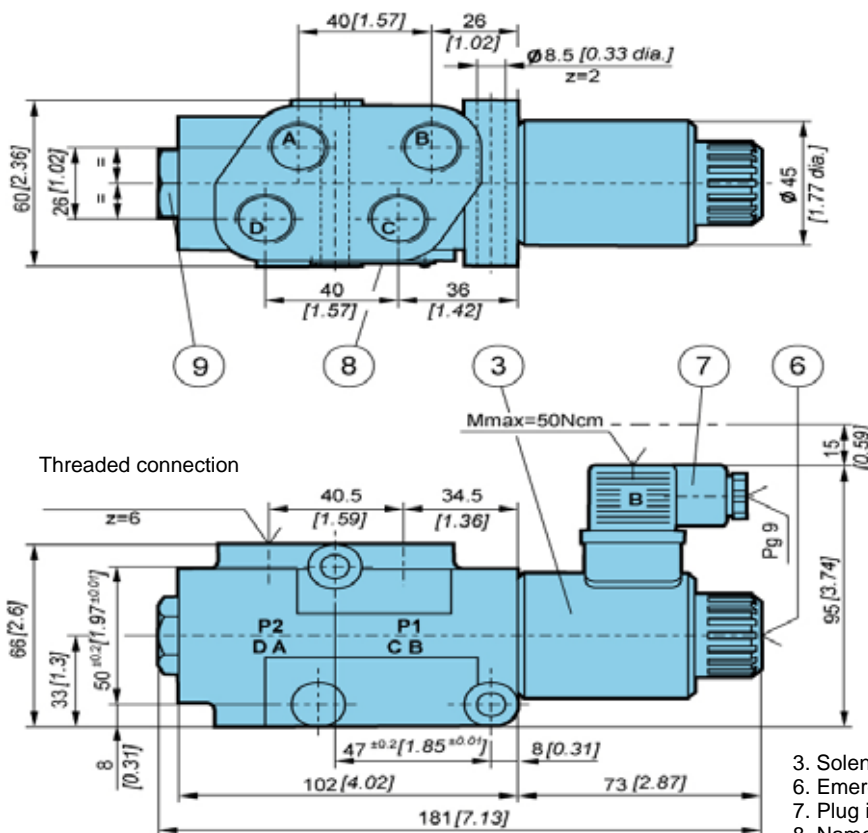
Hydraulic

| | | |
|-----------------------|--------------------------|-------------------------|
| Size | | 6 |
| Flow rate | L/min [GPM] | 50 [13.2] |
| Operating pressure | bar [PSI] | 250 [3 625] |
| Oil temperature range | °C [°F] | -20 to +70 [-4 to +158] |
| Viscosity range | mm ² /s [SUS] | 15 to 380 [3,24 to 82] |
| Mounting position | | Optional |
| Mass | kg [lb] | 2,5 [5.51] |
| Filtration | NAS 1638 | 8 |

Electrical

| | | |
|--------------------------|---------|-------------------|
| Supply voltage | V | 12, 24 DC |
| Power | W | 29 |
| (12 V DC supply voltage) | W | 36 |
| Switching frequency | 1/h | 15000 |
| Ambient temperature | °C [°F] | to +50 [to +122] |
| Coil temperature | °C [°F] | to +180 [to +356] |
| Duty cycle | | Continuous |

Dimensions

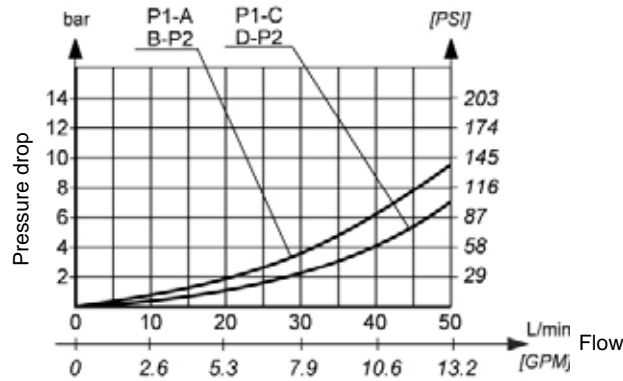


- 3. Solenoid "b" MR-045
- 6. Emergency manual override
- 7. Plug in connector «b» black
- 8. Nameplate
- 9. Valve cap



ΔP-Q Performance curves

Measured at 50°C [122°F] and viscosity of 32 mm²/s [148 SUS].



Model code



Manual override option

| | |
|-----------------------------------|----------------|
| Emergency manual override | No designation |
| Manual override with rubber cover | G |
| Lockable manual override | C |

Supply voltage

| | |
|----------------------|----------------|
| Direct voltage 24V | No designation |
| V Direct voltage 12V | 12 DC |

Connector type

| | |
|------------------------------------|----------------|
| EN 175301-803 without signal lamp | No designation |
| EN 175301-803 with signal lamp | L |
| EN 175301-803 without connector | K |
| AMP Junior timer without connector | M |
| Deutsch | V |

Overvoltage

| | |
|--------------------------------|----------------|
| Without overvoltage protection | No designation |
| With overvoltage protection | T |

Threaded connections

| | |
|----------------|----------------|
| M18x1,5 | No designation |
| G 3/8 | G3/8 |
| 9/16-18 UNF-2B | SAE 6 |

Seal type

| | |
|--|----------------|
| NBR seals for mineral oil HL, HLP to DIN 51524 | No designation |
| FPM seals for HETG, HEES, HEPG to VDMA 24568 and ISO 15380 | E |

Special requirements to be briefly specified

Mechanically operated

Hydraulically operated

Electrically operated